



FCC CFR47 PART 24 SUBPART E
FCC CFR47 PART 22 SUBPART H
FCC CFR47 PART 27 SUBPART L
INDUSTRY CANADA RSS-132 ISSUE 3
INDUSTRY CANADA RSS-133 ISSUE 6
INDUSTRY CANADA RSS-139 ISSUE 3

CERTIFICATION TEST REPORT
GSM/WCDMA & ANT+

MODEL NUMBER: QCOLLECTOR2

FCC ID: C90-QOLL2
IC ID: 10161A-QOLL2

REPORT NUMBER: 15U21180-E2V3

ISSUE DATE: NOVEMBER 03, 2015

Prepared for
SRAM LLC
1000 W Fulton Market, 4th Floor
Chicago, IL, 60607
United States

Prepared by
UL VERIFICATION SERVICES INC.
47173 BENICIA STREET
FREMONT, CA 94538, U.S.A.
TEL: (510) 771-1000
FAX: (510) 661-0888



NVLAP LAB CODE 200065-0

Revision History

Rev.	Date	Revisions	Revised By
V1	10/20/15	Initial Issue (This report contain spot check test data of Qollector2)	C.OOI
V2	10/22/15	Add full radiated testing result to test report.	C.OOI
V3	11/03/15	Revised Page 7	C.OOI

TABLE OF CONTENTS

1.	ATTESTATION OF TEST RESULTS	4
2.	TEST METHODOLOGY	5
3.	FACILITIES AND ACCREDITATION	5
4.	CALIBRATION AND UNCERTAINTY	6
4.1.	<i>MEASURING INSTRUMENT CALIBRATION</i>	<i>6</i>
4.2.	<i>SAMPLE CALCULATION</i>	<i>6</i>
4.3.	<i>MEASUREMENT UNCERTAINTY</i>	<i>6</i>
5.	EQUIPMENT UNDER TEST	7
5.1.	<i>DESCRIPTION OF EUT</i>	<i>7</i>
5.2.	<i>MAXIMUM OUTPUT POWER.....</i>	<i>7</i>
5.3.	<i>DESCRIPTION OF AVAILABLE ANTENNAS</i>	<i>7</i>
5.4.	<i>DESCRIPTION OF TEST SETUP.....</i>	<i>8</i>
6.	TEST AND MEASUREMENT EQUIPMENT	10
7.	RADIATED TEST RESULTS	11
7.1.	<i>RADIATED POWER (ERP & EIRP)</i>	<i>11</i>
7.1.1.	<i>ERP/EIRP Results</i>	<i>13</i>
7.2.	<i>FIELD STRENGTH OF SPURIOUS RADIATION.....</i>	<i>20</i>
7.2.1.	<i>SPURIOUS RADIATION PLOTS</i>	<i>21</i>
8.	SETUP PHOTOS	28

1. ATTESTATION OF TEST RESULTS

COMPANY NAME: SRAM LLC
EUT DESCRIPTION: GERAN/UMTS/2.4 GHz
MODEL: QOLLECTOR2
SERIAL NUMBER: LX-00052510
DATE TESTED: OCTOBER 22, 2015

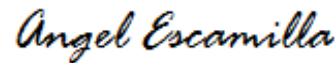
APPLICABLE STANDARDS	
STANDARD	TEST RESULTS
FCC PART 22H, 24E, 27L	PASS

UL Verification Services Inc. tested the above equipment in accordance with the requirements set forth in the above standards. All indications of Pass/Fail in this report are opinions expressed by UL Verification Services Inc. based on interpretations and/or observations of test results. Measurement Uncertainties were not taken into account and are published for informational purposes only. The test results show that the equipment tested is capable of demonstrating compliance with the requirements as documented in this report.

Note: The results documented in this report apply only to the tested sample, under the conditions and modes of operation as described herein. This document may not be altered or revised in any way unless done so by UL Verification Services Inc. and all revisions are duly noted in the revisions section. Any alteration of this document not carried out by UL Verification Services Inc. will constitute fraud and shall nullify the document. This report must not be used by the client to claim product certification, approval, or endorsement by NVLAP, NIST, any agency of the Federal Government, or any agency of any government.

Approved & Released For
UL Verification Services Inc. By:

Tested By:



CHOON OOI
CONSUMER TECHNOLOGY DIVISION
PROJECT LEAD
UL VERIFICATION SERVICES INC

ANGEL ESCAMILLA
CONSUMER TECHNOLOGY DIVISION
LAB ENGINEER
UL VERIFICATION SERVICES INC

2. TEST METHODOLOGY

The tests documented in this report were performed in accordance with TIA-603-C, FCC CFR 47 Part 22, FCC CFR Part 24 and FCC CFR 47 Part 27.

Collector2 device contain FCC: R17HE910 full modular approved module the system. This report only contains fundamental ERP/EIRP and harmonic spurious radiated test data. For antenna port conducted test data, please refer to FCC: R17HE910 radio module report.

3. FACILITIES AND ACCREDITATION

The test sites and measurement facilities used to collect data are located at 47173 and 47266 Benicia Street, Fremont, California, USA. Line conducted emissions are measured only at the 47173 address. The following table identifies which facilities were utilized for radiated emission measurements documented in this report. Specific facilities are also identified in the test results sections.

47173 Benicia Street	47266 Benicia Street
<input checked="" type="checkbox"/> Chamber A(IC: 2324B-1)	<input type="checkbox"/> Chamber D(IC: 2324B-4)
<input checked="" type="checkbox"/> Chamber B(IC: 2324B-2)	<input type="checkbox"/> Chamber E(IC: 2324B-5)
<input checked="" type="checkbox"/> Chamber C(IC: 2324B-3)	<input type="checkbox"/> Chamber F(IC: 2324B-6)
	<input type="checkbox"/> Chamber G(IC: 2324B-7)
	<input type="checkbox"/> Chamber H(IC: 2324B-8)

UL Verification Services Inc. is accredited by NVLAP, Laboratory Code 200065-0. The full scope of accreditation can be viewed at <http://ts.nist.gov/standards/scopes/2000650.htm>.

4. CALIBRATION AND UNCERTAINTY

4.1. MEASURING INSTRUMENT CALIBRATION

The measuring equipment utilized to perform the tests documented in this report has been calibrated in accordance with the manufacturer's recommendations, and is traceable to recognized national standards

4.2. SAMPLE CALCULATION

Where relevant, the following sample calculation is provided:

$$\text{EIRP} = \text{PSA reading with EUT worst orientation (dBm)} + \text{Path loss (dB)} - \text{cable loss (between the SG and substitution antenna)} + \text{Substitution Antenna Factor (dBi)}$$

$$\text{ERP} = \text{PSA reading with EUT worst orientation (dBm)} + \text{Path loss (dB)} - \text{cable loss (between the SG and substitution antenna)}$$

(Path loss = Signal generator output – PSA reading with substitution antenna)

4.3. MEASUREMENT UNCERTAINTY

Where relevant, the following measurement uncertainty levels have been estimated for tests performed on the apparatus:

PARAMETER	UNCERTAINTY
Conducted Disturbance, 0.15 to 30 MHz	± 3.52 dB
Radiated Disturbance, 30 to 1000 MHz	± 4.94 dB
Radiated Disturbance, 1GHz to 40GHz	± 4.94 dB
Radiated Disturbance, 1 to 6 GHz	± 3.86 dB
Radiated Disturbance, 6 to 18 GHz	± 4.23 dB
Radiated Disturbance, 18 to 26 GHz	± 5.30 dB
Radiated Disturbance, 26 to 40 GHz	± 5.23 dB

Uncertainty figures are valid to a confidence level of 95%.

5. EQUIPMENT UNDER TEST

5.1. DESCRIPTION OF EUT

The EUT is a GSM/WCDMA and ANT+ device.

5.2. MAXIMUM OUTPUT POWER

The transmitter has a maximum peak conducted and radiated ERP / EIRP output powers as follows:

FCC Part 22/24/27				
Band	Frequency Range(MHz)	Modulation	Radiated	
			AVG(dBm)	AVG(mW)
GSM850	824~849	GPRS	34.67	2930.89
	824~849	EGPRS	28.31	677.64
GSM1900	1850~1910	GPRS	30.34	1081.43
	1850~1910	EGPRS	25.78	378.44
Band 5	824~849	REL99	22.82	191.43
Band 4	1710~1755	REL99	21.18	131.22
Band 2	1850~1910	REL99	22.53	179.06

5.3. DESCRIPTION OF AVAILABLE ANTENNAS

The radio utilizes a PIFA antenna for the [List the bands supported] with a maximum peak gain as follow:

Frequency (MHz)	Peak Gain (dBi)
GSM850, 824~849MHz	1.49
GSM1900, 1850~1910MHz	2.3
Band 5, 824~849MHz	1.49
Band 4, 1710~1755MHz	2.53
Band 2, 1850~1910MHz	2.3

5.4. DESCRIPTION OF TEST SETUP

SUPPORT EQUIPMENT & PERIPHERALS

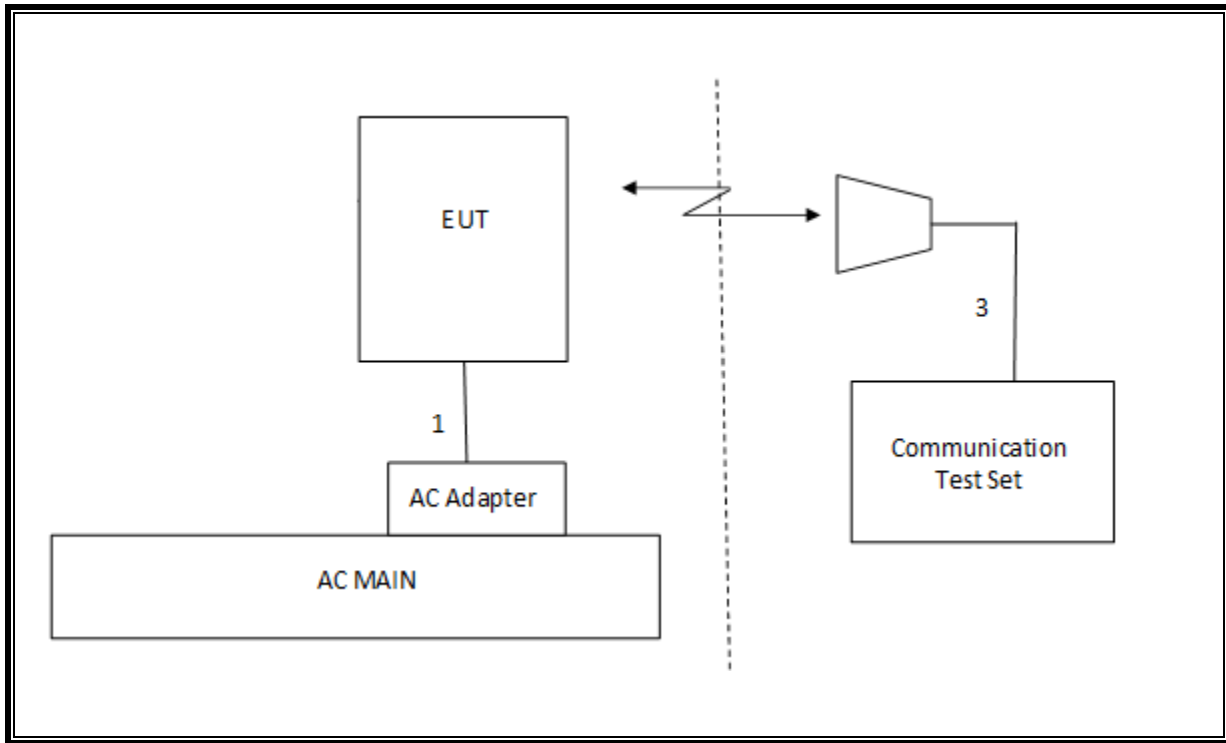
I/O CABLES

I/O CABLE LIST						
Cable No.	Port	# of Identical Ports	Connector Type	Cable Type	Cable Length m	Remarks
1	USB	1	USB	Shielded	1	AC Adapter

TEST SETUP

The EUT is continuously communicated to the call box during the tests.

SETUP DIAGRAM FOR TESTS (RADIATED TEST SETUP)



6. TEST AND MEASUREMENT EQUIPMENT

The following test and measurement equipment was utilized for the tests documented in this report:

TEST EQUIPMENT LIST				
Description	Manufacturer	Model	Asset	Cal Due
Spectrum Analyzer, 44 GHz	Agilent / HP	E4446A	123	10/28/15
Antenna, Bilog, 2 GHz	Sunol Sciences	JB1	T243	12/08/15
Antenna, Horn, 18 GHz	EMCO	3115	C00783	10/25/15
Antenna, Horn, 18 GHz	EMCO	3115	C00784	10/25/15
Highpass Filter, 2.7 GHz	Micro-Tronics	HPM13194	N02687	CNR
Highpass Filter, 1.5 GHz	Micro-Tronics	HPM13193	N02688	CNR
Temperature / Humidity Chamber	Thermotron	SE 600-10-10	T80	11/01/15
Communications Test Set	R&S	CMW500	T232	01/14/16
DC power supply, 8 V @ 3 A or 15 V	Agilent / HP	E3610A	None	CNR
Vector signal generator, 6 GHz	Agilent / HP	E4438C	T201	06/16/16
Antenna, Tuned Dipole 400~1000	ETS	6502	158071	10/14/15
Directional Coupler	RF-Lambda	RFDC5M06G15	None	CNR
Antenna, Horn, 26.5 GHz	ARA	MWH-1826/B	C00589	12/17/15

Test Software List			
Description	Manufacturer	Model	Version
Radiated Software	UL	UL EMC	Version 9.5, 07/22/14
Conducted Software	UL	UL EMC	Version 9.5, 05/17/14
CLT Software	UL	UL RF	Version 1.0, 02/02/15
Antenna Port Software	UL	UL RF	Version 2.1.1.1, 1/20/15

7. RADIATED TEST RESULTS

7.1. RADIATED POWER (ERP & EIRP)

RULE PART(S)

FCC: §2.1046, §22.913, §24.232, §27 and § 90.635.

LIMITS

22.913(a) - The ERP of mobile transmitters and auxiliary test transmitters must not exceed 7 Watts.

24.232(c) - Mobile/portable stations are limited to 2 watts e.i.r.p. peak power and the equipment must employ means to limit the power to the minimum necessary for successful communications.

27.50(d) - (4) Fixed, mobile, and portable (hand-held) stations operating in the 1710-1755 MHz band and mobile and portable stations operating in the 1695-1710 MHz and 1755-1780 MHz bands are limited to 1 watt EIRP.(Band 4)

In addition, when the transmitter power is measured in terms of average value, the peak-to-average ratio of the power shall not exceed 13dB.

TEST PROCEDURE

ANSI / TIA / EIA 603C Clause 2.2.17; PSA setting reference to 971168 D01 v02r02

For peak power measurement with a PSA:

a) Set the RBW \geq OBW; b) Set VBW $\geq 3 \times$ RBW; c) Set span $\geq 2 \times$ RBW; d) Sweep time = auto couple; e) Detector = peak; f) Ensure that the number of measurement points \geq span/RBW; g) Trace mode = max hold;

For average power measurement with a PSA:

a) Set span to at least 1.5 times the OBW; b) Set RBW = 1-5% of the OBW, not to exceed 1 MHz; c) Set VBW $\geq 3 \times$ RBW; d) Set number of points in sweep $\geq 2 \times$ span / RBW; e) Sweep time = auto-couple; f) Detector = RMS (power averaging); g) Use free run trigger If burst duty cycle ≥ 98 ; h) Use trigger to capture bursts If burst duty cycle < 98 ; i) Trace average at least 100 traces in power averaging (*i.e.*, RMS) mode. j) Compute the power by integrating the spectrum across the OBW of the signal using the instrument's band power measurement function.

MODES TESTED

GSM, WCDMA, and LTE

TEST RESULTS

GSM

Band	Mode	Channel	f(MHz)	ERP / EIRP	
				dBm	mW
GSM1900	GPRS	512	1850.2	29.44	879.02
		661	1880	29.64	920.45
		810	1909.8	30.34	1081.43
	EGPRS	512	1850.2	24.84	304.79
		661	1880	25.03	318.42
		810	1909.8	25.78	378.44

Band	Mode	Channel	f(MHz)	ERP / EIRP	
				dBm	mW
GSM850	GPRS	128	824.2	34.67	2930.89
		190	836.6	34.21	2636.33
		251	848.8	33.18	2079.70
	EGPRS	128	824.2	28.31	677.64
		190	836.6	27.58	572.80
		251	848.8	26.44	440.55

WCDMA

Band	Mode	Channel	f(MHz)	ERP / EIRP	
				dBm	mW
Band 2	REL99	9262	1852.4	21.13	129.72
		9400	1880	21.80	151.36
		9538	1907.6	22.53	179.06

Band	Mode	Channel	f(MHz)	ERP / EIRP	
				dBm	mW
Band 4	REL99	1312	1712.4	21.18	131.22
		1413	1732.6	20.42	110.15
		1513	1752.6	21.16	130.62

Band	Mode	Channel	f(MHz)	ERP / EIRP	
				dBm	mW
Band 5	REL99	4132	826.4	22.82	191.43
		4183	836.6	21.97	157.40
		4233	846.6	20.62	115.35

Band GSM 1900 EGPRS	High Frequency Substitution Measurement UL Verification Services, Inc.								
	Company: SRAM Project #: 15U21180 Date: 10/21/2015 Test Engineer: A. Escamilla Configuration: EUT Only, Z-Position Location: Chamber A Mode: EGPRS 1900 MHz Fundamentals								
	Test Equipment: Receiving: Horn T136, and Chamber A SMA Cables Substitution: Horn T60, Xft SMA Cable (SN # 506392) Warehouse								
	f MHz	SG reading (dBm)	Ant. Pol. (H/V)	Cable Loss (dB)	Antenna Gain (dBi)	EIRP (dBm)	Limit (dBm)	Delta (dB)	Notes
	Low Ch								
	1850.20	17.85	V	0.9	7.9	24.84	33.0	-8.2	
	1850.20	4.74	H	0.9	7.9	11.73	33.0	-21.3	
	Mid Ch								
	1880.00	18.06	V	0.9	7.9	25.03	33.0	-8.0	
	1880.00	5.81	H	0.9	7.9	12.78	33.0	-20.2	
High Ch									
1909.80	18.79	V	0.9	7.9	25.78	33.0	-7.2		
1909.80	7.26	H	0.9	7.9	14.24	33.0	-18.8		

Band GSM 850 GPRS	High Frequency Substitution Measurement UL Verification Services, Inc.																																																																																																												
	Company:		SRAM																																																																																																										
	Project #:		15U21180																																																																																																										
	Date:		10/21/2015																																																																																																										
	Test Engineer:		A. Escamilla																																																																																																										
	Configuration:		EUT Only, Z-Position																																																																																																										
	Location:		Chamber A																																																																																																										
	Mode:		GPRS 850 MHz Fundamentals																																																																																																										
	Test Equipment:		Receiving: Hybrid T477, and Chamber A SMA Cables																																																																																																										
			Substitution: Dipole T273, Xft SMA Cable (SN # 506392) Warehouse																																																																																																										
<table border="1"> <thead> <tr> <th>f MHz</th> <th>SG reading (dBm)</th> <th>Ant. Pol. (H/V)</th> <th>Cable Loss (dB)</th> <th>Antenna Gain (dBd)</th> <th>ERP (dBm)</th> <th>Limit (dBm)</th> <th>Delta (dB)</th> <th colspan="2">Notes</th> </tr> </thead> <tbody> <tr> <td colspan="10">Low Ch</td> </tr> <tr> <td>824.20</td> <td>35.57</td> <td>V</td> <td>0.9</td> <td>0.0</td> <td>34.67</td> <td>38.5</td> <td>-3.8</td> <td colspan="2"></td> </tr> <tr> <td>824.20</td> <td>12.45</td> <td>H</td> <td>0.9</td> <td>0.0</td> <td>11.55</td> <td>38.5</td> <td>-27.0</td> <td colspan="2"></td> </tr> <tr> <td colspan="10">Mid Ch</td> </tr> <tr> <td>836.60</td> <td>35.11</td> <td>V</td> <td>0.9</td> <td>0.0</td> <td>34.21</td> <td>38.5</td> <td>-4.3</td> <td colspan="2"></td> </tr> <tr> <td>836.60</td> <td>11.92</td> <td>H</td> <td>0.9</td> <td>0.0</td> <td>11.02</td> <td>38.5</td> <td>-27.5</td> <td colspan="2"></td> </tr> <tr> <td colspan="10">High Ch</td> </tr> <tr> <td>848.80</td> <td>34.08</td> <td>V</td> <td>0.9</td> <td>0.0</td> <td>33.18</td> <td>38.5</td> <td>-5.3</td> <td colspan="2"></td> </tr> <tr> <td>848.80</td> <td>12.20</td> <td>H</td> <td>0.9</td> <td>0.0</td> <td>11.30</td> <td>38.5</td> <td>-27.2</td> <td colspan="2"></td> </tr> </tbody> </table>										f MHz	SG reading (dBm)	Ant. Pol. (H/V)	Cable Loss (dB)	Antenna Gain (dBd)	ERP (dBm)	Limit (dBm)	Delta (dB)	Notes		Low Ch										824.20	35.57	V	0.9	0.0	34.67	38.5	-3.8			824.20	12.45	H	0.9	0.0	11.55	38.5	-27.0			Mid Ch										836.60	35.11	V	0.9	0.0	34.21	38.5	-4.3			836.60	11.92	H	0.9	0.0	11.02	38.5	-27.5			High Ch										848.80	34.08	V	0.9	0.0	33.18	38.5	-5.3			848.80	12.20	H	0.9	0.0	11.30	38.5	-27.2		
f MHz	SG reading (dBm)	Ant. Pol. (H/V)	Cable Loss (dB)	Antenna Gain (dBd)	ERP (dBm)	Limit (dBm)	Delta (dB)	Notes																																																																																																					
Low Ch																																																																																																													
824.20	35.57	V	0.9	0.0	34.67	38.5	-3.8																																																																																																						
824.20	12.45	H	0.9	0.0	11.55	38.5	-27.0																																																																																																						
Mid Ch																																																																																																													
836.60	35.11	V	0.9	0.0	34.21	38.5	-4.3																																																																																																						
836.60	11.92	H	0.9	0.0	11.02	38.5	-27.5																																																																																																						
High Ch																																																																																																													
848.80	34.08	V	0.9	0.0	33.18	38.5	-5.3																																																																																																						
848.80	12.20	H	0.9	0.0	11.30	38.5	-27.2																																																																																																						

Band GSM 850 EGPRS	High Frequency Substitution Measurement UL Verification Services, Inc.																																																																																																	
	Company:		SRAM																																																																																															
	Project #:		15U21180																																																																																															
	Date:		10/21/2015																																																																																															
	Test Engineer:		A. Escamilla																																																																																															
	Configuration:		EUT Only, Z-Position																																																																																															
	Location:		Chamber A																																																																																															
	Mode:		EGPRS 850 MHz Fundamentals																																																																																															
	Test Equipment:		Receiving: Hybrid T477, and Chamber A SMA Cables Substitution: Dipole T273, Xft SMA Cable (SN # 506392) Warehouse																																																																																															
	<table border="1"> <thead> <tr> <th>f MHz</th> <th>SG reading (dBm)</th> <th>Ant. Pol. (H/V)</th> <th>Cable Loss (dB)</th> <th>Antenna Gain (dBd)</th> <th>ERP (dBm)</th> <th>Limit (dBm)</th> <th>Delta (dB)</th> <th>Notes</th> </tr> </thead> <tbody> <tr> <td colspan="9">Low Ch</td> </tr> <tr> <td>824.20</td> <td>29.21</td> <td>V</td> <td>0.9</td> <td>0.0</td> <td>28.31</td> <td>38.5</td> <td>-10.2</td> <td></td> </tr> <tr> <td>824.20</td> <td>7.35</td> <td>H</td> <td>0.9</td> <td>0.0</td> <td>6.45</td> <td>38.5</td> <td>-32.1</td> <td></td> </tr> <tr> <td colspan="9">Mid Ch</td> </tr> <tr> <td>836.60</td> <td>28.48</td> <td>V</td> <td>0.9</td> <td>0.0</td> <td>27.58</td> <td>38.5</td> <td>-10.9</td> <td></td> </tr> <tr> <td>836.60</td> <td>7.23</td> <td>H</td> <td>0.9</td> <td>0.0</td> <td>6.33</td> <td>38.5</td> <td>-32.2</td> <td></td> </tr> <tr> <td colspan="9">High Ch</td> </tr> <tr> <td>848.80</td> <td>27.34</td> <td>V</td> <td>0.9</td> <td>0.0</td> <td>26.44</td> <td>38.5</td> <td>-12.1</td> <td></td> </tr> <tr> <td>848.80</td> <td>6.99</td> <td>H</td> <td>0.9</td> <td>0.0</td> <td>6.09</td> <td>38.5</td> <td>-32.4</td> <td></td> </tr> </tbody> </table>									f MHz	SG reading (dBm)	Ant. Pol. (H/V)	Cable Loss (dB)	Antenna Gain (dBd)	ERP (dBm)	Limit (dBm)	Delta (dB)	Notes	Low Ch									824.20	29.21	V	0.9	0.0	28.31	38.5	-10.2		824.20	7.35	H	0.9	0.0	6.45	38.5	-32.1		Mid Ch									836.60	28.48	V	0.9	0.0	27.58	38.5	-10.9		836.60	7.23	H	0.9	0.0	6.33	38.5	-32.2		High Ch									848.80	27.34	V	0.9	0.0	26.44	38.5	-12.1		848.80	6.99	H	0.9	0.0	6.09	38.5	-32.4
f MHz	SG reading (dBm)	Ant. Pol. (H/V)	Cable Loss (dB)	Antenna Gain (dBd)	ERP (dBm)	Limit (dBm)	Delta (dB)	Notes																																																																																										
Low Ch																																																																																																		
824.20	29.21	V	0.9	0.0	28.31	38.5	-10.2																																																																																											
824.20	7.35	H	0.9	0.0	6.45	38.5	-32.1																																																																																											
Mid Ch																																																																																																		
836.60	28.48	V	0.9	0.0	27.58	38.5	-10.9																																																																																											
836.60	7.23	H	0.9	0.0	6.33	38.5	-32.2																																																																																											
High Ch																																																																																																		
848.80	27.34	V	0.9	0.0	26.44	38.5	-12.1																																																																																											
848.80	6.99	H	0.9	0.0	6.09	38.5	-32.4																																																																																											

WCDMA

Band Band 2 REL99	<p>Company: SRAM Project #: 15U21180 Date: 10/21/2015 Test Engineer: A. Escamilla Configuration: EUT Only, Z-Position Location: Chamber A Mode: Rel99 Band 2 Fundamentals</p> <p>Test Equipment: Receiving: Horn T136, and Chamber A SMA Cables Substitution: Horn T60, Xft SMA Cable (SN # 506392) Warehouse</p>								
	f MHz	SG reading (dBm)	Ant. Pol. (H/V)	Cable Loss (dB)	Antenna Gain (dBi)	EIRP (dBm)	Limit (dBm)	Delta (dB)	Notes
	Low Ch								
	1852.40	14.14	V	0.9	7.9	21.13	33.0	-11.9	
	1852.40	1.29	H	0.9	7.9	8.28	33.0	-24.7	
	Mid Ch								
	1880.00	14.84	V	0.9	7.9	21.80	33.0	-11.2	
	1880.00	4.70	H	0.9	7.9	11.67	33.0	-21.3	
	High Ch								
	1907.60	15.55	V	0.9	7.9	22.53	33.0	-10.5	
1907.60	4.07	H	0.9	7.9	11.04	33.0	-22.0		

Band Band 4 REL99	Company: SRAM Project #: 15U21180 Date: 10/21/2015 Test Engineer: A. Escamilla Configuration: EUT Only, Z-Position Location: Chamber A Mode: Rel99 Band 4 Fundamentals								
	Test Equipment: Receiving: Horn T136, and Chamber A SMA Cables Substitution: Horn T59, Xft SMA Cable (SN # SERIALNUMBER) Warehouse								
	f MHz	SG reading (dBm)	Ant. Pol. (H/V)	Cable Loss (dB)	Antenna Gain (dBi)	EIRP (dBm)	Limit (dBm)	Delta (dB)	Notes
	Low Ch								
	1712.40	13.84	V	0.9	8.2	21.18	30.0	-8.8	
	1712.40	5.72	H	0.9	8.2	13.06	30.0	-16.9	
	Mid Ch								
	1732.60	13.15	V	0.9	8.2	20.42	30.0	-9.6	
	1732.60	5.17	H	0.9	8.2	12.44	30.0	-17.6	
	High Ch								
1752.60	13.96	V	0.9	8.1	21.16	30.0	-8.8		
1752.60	4.90	H	0.9	8.1	12.10	30.0	-17.9		

Band Band 5 REL99	High Frequency Substitution Measurement UL Verification Services, Inc.								
	Company: SRAM Project #: 15U21180 Date: 10/21/2015 Test Engineer: A. Escamilla Configuration: EUT Only, Z-Position Location: Chamber A Mode: Rel99 Band 5 Fundamentals								
	Test Equipment: Receiving: Hybrid T477, and Chamber A SMA Cables Substitution: Dipole T273, Xft SMA Cable (SN # 506392) Warehouse								
	f MHz	SG reading (dBm)	Ant. Pol. (H/V)	Cable Loss (dB)	Antenna Gain (dBd)	ERP (dBm)	Limit (dBm)	Delta (dB)	Notes
	Low Ch								
	826.40	23.72	V	0.9	0.0	22.82	38.5	-15.7	
	826.40	3.62	H	0.9	0.0	2.72	38.5	-35.8	
	Mid Ch								
	836.60	22.87	V	0.9	0.0	21.97	38.5	-16.5	
	836.60	4.22	H	0.9	0.0	3.32	38.5	-35.2	
High Ch									
846.60	21.52	V	0.9	0.0	20.62	38.5	-17.9		
846.60	3.53	H	0.9	0.0	2.63	38.5	-35.9		

7.2. FIELD STRENGTH OF SPURIOUS RADIATION

RULE PART(S)

FCC: §2.1053, §22.917, §24.238, §27.53 and §90.691

LIMIT

The power of any emission outside of the authorized operating frequency ranges must be attenuated below the transmitting power (P) by a factor of at least $43 + 10 \log (P)$ dB.

Part 27: (m)(4) (4) For mobile digital stations, the attenuation factor shall be not less than $40 + 10 \log (P)$ dB on all frequencies between the channel edge and 5 megahertz from the channel edge, $43 + 10 \log (P)$ dB on all frequencies between 5 megahertz and X megahertz from the channel edge, and $55 + 10 \log (P)$ dB on all frequencies more than X megahertz from the channel edge, where X is the greater of 6 megahertz or the actual emission bandwidth as defined in paragraph (m)(6) of this section. In addition, the attenuation factor shall not be less than $43 + 10 \log (P)$ dB on all frequencies between 2490.5 MHz and 2496 MHz and $55 + 10 \log (P)$ dB at or below 2490.5 MHz. Mobile Satellite Service licensees operating on frequencies below 2495 MHz may also submit a documented interference complaint against BRS licensees operating on channel BRS Channel 1 on the same terms and conditions as adjacent channel BRS or EBS licensees.

TEST PROCEDURE

For Cellular equipment - Compliance with these rules is based on the use of measurement instrumentation employing a resolution bandwidth of 100 kHz or greater. In the 1 MHz bands immediately outside and adjacent to the frequency block a resolution bandwidth of at least one percent of the emission bandwidth of the fundamental emission of the transmitter may be employed. A narrower resolution bandwidth is permitted in all cases to improve measurement accuracy provided the measured power is integrated over the full required measurement bandwidth (i.e. 100 kHz or 1 percent of emission bandwidth, as specified). The emission bandwidth is defined as the width of the signal between two points, one below the carrier center frequency and one above the carrier center frequency, outside of which all emissions are attenuated at least 26 dB below the transmitter power.

For PCS equipment - Compliance with these rules is based on the use of measurement instrumentation employing a resolution bandwidth of 1 MHz or greater. However, in the 1 MHz bands immediately outside and adjacent to the frequency block a resolution bandwidth of at least one percent of the emission bandwidth of the fundamental emission of the transmitter may be employed. A narrower resolution bandwidth is permitted in all cases to improve measurement accuracy provided the measured power is integrated over the full required measurement bandwidth (i.e. 1 MHz or 1 percent of emission bandwidth, as specified). The emission bandwidth is defined as the width of the signal between two points, one below the carrier center frequency and one above the carrier center frequency, outside of which all emissions are attenuated at least 26 dB below the transmitter power.

MODES TESTED

GSM, WCDMA, and LTE

RESULTS

7.2.1. SPURIOUS RADIATION PLOTS

GSM

UL Verification Services, Inc. Above 1GHz High Frequency Substitution Measurement									
Company:		SRAM							
Project #:		15U21180							
Date:		10/21/2015							
Test Engineer:		A. Escamilla							
Configuration:		EUT + AC Charger							
Location:		Chamber A							
Mode:		GPRS 1900 MHz Hamonics							
f MHz	SG reading (dBm)	Ant. Pol. (H/V)	Distance (m)	Preamp (dB)	Filter (dB)	EIRP (dBm)	Limit (dBm)	Delta (dB)	Notes
Band									
GSM									
1900									
GPRS									
Low Ch, 1850.2									
3700.40	-14.3	V	3.0	35.9	1.0	-49.2	-13.0	-36.2	
5550.60	-13.7	V	3.0	35.5	1.0	-48.1	-13.0	-35.1	
7400.80	-12.4	V	3.0	35.7	1.0	-47.1	-13.0	-34.1	
3700.40	-17.7	H	3.0	35.9	1.0	-52.6	-13.0	-39.6	
5550.60	-14.6	H	3.0	35.5	1.0	-49.1	-13.0	-36.1	
7400.80	-12.9	H	3.0	35.7	1.0	-47.6	-13.0	-34.6	
Mid Ch, 1880									
3760.00	-15.8	V	3.0	35.8	1.0	-50.6	-13.0	-37.6	
5640.00	-13.2	V	3.0	35.5	1.0	-47.7	-13.0	-34.7	
7520.00	-11.8	V	3.0	35.7	1.0	-46.5	-13.0	-33.5	
3760.00	-18.1	H	3.0	35.8	1.0	-52.9	-13.0	-39.9	
5640.00	-14.6	H	3.0	35.5	1.0	-49.1	-13.0	-36.1	
7520.00	-11.9	H	3.0	35.7	1.0	-46.6	-13.0	-33.6	
High Ch, 1909.8									
3819.60	-13.8	V	3.0	35.8	1.0	-48.6	-13.0	-35.6	
5729.40	-12.7	V	3.0	35.5	1.0	-47.2	-13.0	-34.2	
7639.20	-11.8	V	3.0	35.8	1.0	-46.6	-13.0	-33.6	
3819.60	-17.1	H	3.0	35.8	1.0	-51.9	-13.0	-38.9	
5729.40	-14.6	H	3.0	35.5	1.0	-49.1	-13.0	-36.1	
7639.20	-12.5	H	3.0	35.8	1.0	-47.3	-13.0	-34.3	

UL Verification Services, Inc. Above 1GHz High Frequency Substitution Measurement									
Company:		SRAM							
Project #:		15U21180							
Date:		10/21/2015							
Test Engineer:		A. Escamilla							
Configuration:		EUT + AC Charger							
Location:		Chamber A							
Mode:		EGPRS 1900 MHz Hamonics							
f MHz	SG reading (dBm)	Ant. Pol. (H/V)	Distance (m)	Preamplifier (dB)	Filter (dB)	EIRP (dBm)	Limit (dBm)	Delta (dB)	Notes
Band									
GSM									
1900									
EGPRS									
Low Ch, 1850.2									
3700.40	-15.7	V	3.0	35.9	1.0	-50.6	-13.0	-37.6	
5550.60	-14.7	V	3.0	35.5	1.0	-49.1	-13.0	-36.1	
7400.80	-12.9	V	3.0	35.7	1.0	-47.6	-13.0	-34.6	
3700.40	-16.8	H	3.0	35.9	1.0	-51.7	-13.0	-38.7	
5550.60	-12.5	H	3.0	35.5	1.0	-47.0	-13.0	-34.0	
7400.80	-11.9	H	3.0	35.7	1.0	-46.7	-13.0	-33.7	
Mid Ch, 1880									
3760.00	-15.9	V	3.0	35.8	1.0	-50.7	-13.0	-37.7	
5640.00	-14.4	V	3.0	35.5	1.0	-48.9	-13.0	-35.9	
7520.00	-13.0	V	3.0	35.7	1.0	-47.7	-13.0	-34.7	
3760.00	-17.6	H	3.0	35.8	1.0	-52.4	-13.0	-39.4	
5640.00	-13.9	H	3.0	35.5	1.0	-48.4	-13.0	-35.4	
7520.00	-11.6	H	3.0	35.7	1.0	-46.4	-13.0	-33.4	
High Ch, 1909.8									
3819.60	-17.5	V	3.0	35.8	1.0	-52.3	-13.0	-39.3	
5729.40	-13.6	V	3.0	35.5	1.0	-48.1	-13.0	-35.1	
7639.20	-12.7	V	3.0	35.8	1.0	-47.5	-13.0	-34.5	
3819.60	-17.1	H	3.0	35.8	1.0	-51.9	-13.0	-38.9	
5729.40	-13.6	H	3.0	35.5	1.0	-48.1	-13.0	-35.1	
7639.20	-11.2	H	3.0	35.8	1.0	-46.0	-13.0	-33.0	

UL Verification Services, Inc. Above 1GHz High Frequency Substitution Measurement									
Company:		SRAM							
Project #:		15U21180							
Date:		10/21/2015							
Test Engineer:		A. Escamilla							
Configuration:		EUT + AC Charger							
Location:		Chamber A							
Mode:		GPRS 850 MHz Harmonics							
f MHz	SG reading (dBm)	Ant. Pol. (H/V)	Distance (m)	Preamp (dB)	Filter (dB)	EIRP (dBm)	Limit (dBm)	Delta (dB)	Notes
Band									
GSM									
850									
GPRS									
Low Ch, 824.2									
1648.40	-19.2	V	3.0	37.0	1.0	-55.2	-13.0	-42.2	
2472.60	-19.1	V	3.0	36.4	1.0	-54.5	-13.0	-41.5	
3296.80	-19.6	V	3.0	36.2	1.0	-54.8	-13.0	-41.8	
1648.40	-24.2	H	3.0	37.0	1.0	-60.2	-13.0	-47.2	
2472.60	-20.7	H	3.0	36.4	1.0	-56.1	-13.0	-43.1	
3296.80	-20.1	H	3.0	36.2	1.0	-55.2	-13.0	-42.2	
Mid Ch, 836.6									
1673.20	-18.7	V	3.0	37.0	1.0	-54.7	-13.0	-41.7	
2509.80	-19.1	V	3.0	36.4	1.0	-54.5	-13.0	-41.5	
3346.40	-19.5	V	3.0	36.1	1.0	-54.7	-13.0	-41.7	
1673.20	-22.6	H	3.0	37.0	1.0	-58.6	-13.0	-45.6	
2509.80	-23.1	H	3.0	36.4	1.0	-58.5	-13.0	-45.5	
3346.40	-20.2	H	3.0	36.1	1.0	-55.3	-13.0	-42.3	
High Ch, 848.8									
1697.60	-17.7	V	3.0	37.0	1.0	-53.7	-13.0	-40.7	
2546.40	-17.9	V	3.0	36.4	1.0	-53.3	-13.0	-40.3	
3395.20	-18.9	V	3.0	36.1	1.0	-54.0	-13.0	-41.0	
1697.60	-23.1	H	3.0	37.0	1.0	-59.1	-13.0	-46.1	
2546.40	-23.5	H	3.0	36.4	1.0	-58.9	-13.0	-45.9	
3395.20	-20.4	H	3.0	36.1	1.0	-55.5	-13.0	-42.5	

UL Verification Services, Inc. Above 1GHz High Frequency Substitution Measurement									
Company:		SRAM							
Project #:		15U21180							
Date:		10/21/2015							
Test Engineer:		A. Escamilla							
Configuration:		EUT + AC Charger							
Location:		Chamber A							
Mode:		EGPRS 850 MHz Harmonics							
f MHz	SG reading (dBm)	Ant. Pol. (H/V)	Distance (m)	Preamp (dB)	Filter (dB)	EIRP (dBm)	Limit (dBm)	Delta (dB)	Notes
Band									
GSM									
850									
EGPRS									
Low Ch, 824.2									
1648.40	-20.8	V	3.0	37.0	1.0	-56.9	-13.0	-43.9	
2472.60	-19.9	V	3.0	36.4	1.0	-55.3	-13.0	-42.3	
3296.80	-19.9	V	3.0	36.2	1.0	-55.1	-13.0	-42.1	
1648.40	-25.9	H	3.0	37.0	1.0	-61.9	-13.0	-48.9	
2472.60	-23.8	H	3.0	36.4	1.0	-59.2	-13.0	-46.2	
3296.80	-21.1	H	3.0	36.2	1.0	-56.2	-13.0	-43.2	
Mid Ch, 836.6									
1673.20	-20.8	V	3.0	37.0	1.0	-56.8	-13.0	-43.8	
2509.80	-20.8	V	3.0	36.4	1.0	-56.2	-13.0	-43.2	
3346.40	-20.4	V	3.0	36.1	1.0	-55.5	-13.0	-42.5	
1673.20	-23.9	H	3.0	37.0	1.0	-59.9	-13.0	-46.9	
2509.80	-23.8	H	3.0	36.4	1.0	-59.2	-13.0	-46.2	
3346.40	-21.1	H	3.0	36.1	1.0	-56.2	-13.0	-43.2	
High Ch, 848.8									
1697.60	-20.6	V	3.0	37.0	1.0	-56.6	-13.0	-43.6	
2546.40	-20.3	V	3.0	36.4	1.0	-55.7	-13.0	-42.7	
3395.20	-20.6	V	3.0	36.1	1.0	-55.7	-13.0	-42.7	
1697.60	-25.2	H	3.0	37.0	1.0	-61.1	-13.0	-48.1	
2546.40	-23.6	H	3.0	36.4	1.0	-59.0	-13.0	-46.0	
3395.20	-20.8	H	3.0	36.1	1.0	-55.8	-13.0	-42.8	

WCDMA

UL Verification Services, Inc. Above 1GHz High Frequency Substitution Measurement									
Company:		SRAM							
Project #:		15U21180							
Date:		10/21/2015							
Test Engineer:		A. Escamilla							
Configuration:		EUT + AC Charger							
Location:		Chamber A							
Mode:		Rel99 Band 2 Harmonics							
f MHz	SG reading (dBm)	Ant. Pol. (H/V)	Distance (m)	Preamp (dB)	Filter (dB)	EIRP (dBm)	Limit (dBm)	Delta (dB)	Notes
Low Ch, 1852.4									
3704.80	-14.4	V	3.0	35.9	1.0	-49.3	-13.0	-36.3	
5557.20	-12.4	V	3.0	35.5	1.0	-46.9	-13.0	-33.9	
7409.60	-12.1	V	3.0	35.7	1.0	-46.8	-13.0	-33.8	
3704.80	-17.3	H	3.0	35.9	1.0	-52.1	-13.0	-39.1	
5557.20	-13.8	H	3.0	35.5	1.0	-48.3	-13.0	-35.3	
7409.60	-11.6	H	3.0	35.7	1.0	-46.3	-13.0	-33.3	
Mid Ch, 1880									
3760.00	-15.8	V	3.0	35.8	1.0	-50.6	-13.0	-37.6	
5640.00	-13.2	V	3.0	35.5	1.0	-47.7	-13.0	-34.7	
7520.00	-12.3	V	3.0	35.7	1.0	-47.0	-13.0	-34.0	
3760.00	-17.3	H	3.0	35.8	1.0	-52.1	-13.0	-39.1	
5640.00	-13.7	H	3.0	35.5	1.0	-48.2	-13.0	-35.2	
7520.00	-11.0	H	3.0	35.7	1.0	-45.7	-13.0	-32.7	
High Ch, 1907.6									
3815.20	-13.9	V	3.0	35.8	1.0	-48.6	-13.0	-35.6	
5722.80	-13.2	V	3.0	35.5	1.0	-47.7	-13.0	-34.7	
7630.40	-12.7	V	3.0	35.8	1.0	-47.4	-13.0	-34.4	
3815.20	-16.1	H	3.0	35.8	1.0	-50.8	-13.0	-37.8	
5722.80	-12.9	H	3.0	35.5	1.0	-47.4	-13.0	-34.4	
7630.40	-11.3	H	3.0	35.8	1.0	-46.1	-13.0	-33.1	

UL Verification Services, Inc. Above 1GHz High Frequency Substitution Measurement									
Company:		SRAM							
Project #:		15U21180							
Date:		10/21/2015							
Test Engineer:		A. Escamilla							
Configuration:		EUT + AC Charger							
Location:		Chamber A							
Mode:		Rel99 Band 4 Harmonics							
f MHz	SG reading (dBm)	Ant. Pol. (H/V)	Distance (m)	Pre amp (dB)	Filter (dB)	EIRP (dBm)	Limit (dBm)	Delta (dB)	Notes
Band									
Band 4									
REL99									
Low Ch, 1712.4									
3424.80	-14.3	V	3.0	36.1	1.0	-49.4	-13.0	-36.4	
5137.20	-14.2	V	3.0	35.4	1.0	-48.7	-13.0	-35.7	
6849.60	-13.1	V	3.0	35.7	1.0	-47.8	-13.0	-34.8	
3424.80	-18.3	H	3.0	36.1	1.0	-53.4	-13.0	-40.4	
5137.20	-15.2	H	3.0	35.4	1.0	-49.6	-13.0	-36.6	
6849.60	-12.1	H	3.0	35.7	1.0	-46.8	-13.0	-33.8	
Mid Ch, 1732.6									
3465.20	-15.0	V	3.0	36.0	1.0	-50.0	-13.0	-37.0	
5197.80	-14.7	V	3.0	35.4	1.0	-49.2	-13.0	-36.2	
6930.40	-13.3	V	3.0	35.7	1.0	-48.0	-13.0	-35.0	
3465.20	-17.6	H	3.0	36.0	1.0	-52.7	-13.0	-39.7	
5197.80	-14.5	H	3.0	35.4	1.0	-48.9	-13.0	-35.9	
6930.40	-12.9	H	3.0	35.7	1.0	-47.6	-13.0	-34.6	
High Ch, 1752.6									
3505.20	-14.0	V	3.0	36.0	1.0	-49.0	-13.0	-36.0	
5257.80	-13.4	V	3.0	35.4	1.0	-47.8	-13.0	-34.8	
7010.40	-13.6	V	3.0	35.7	1.0	-48.3	-13.0	-35.3	
3505.20	-18.0	H	3.0	36.0	1.0	-53.0	-13.0	-40.0	
5257.80	-14.8	H	3.0	35.4	1.0	-49.2	-13.0	-36.2	
7010.40	-12.9	H	3.0	35.7	1.0	-47.6	-13.0	-34.6	

UL Verification Services, Inc. Above 1GHz High Frequency Substitution Measurement									
Company:		SRAM							
Project #:		15U21180							
Date:		10/21/2015							
Test Engineer:		A. Escamilla							
Configuration:		EUT + AC Charger							
Location:		Chamber A							
Mode:		Rel99 Band 5 Harmonics							
f MHz	SG reading (dBm)	Ant. Pol. (H/V)	Distance (m)	Preamp (dB)	Filter (dB)	EIRP (dBm)	Limit (dBm)	Delta (dB)	Notes
Low Ch, 826.4									
1652.80	-24.6	V	3.0	37.0	1.0	-60.6	-13.0	-47.6	
2479.20	-21.7	V	3.0	36.4	1.0	-57.2	-13.0	-44.2	
Band 5									
3305.60	-20.8	V	3.0	36.1	1.0	-56.0	-13.0	-43.0	
1652.80	-24.9	H	3.0	37.0	1.0	-61.0	-13.0	-48.0	
2479.20	-23.5	H	3.0	36.4	1.0	-59.0	-13.0	-46.0	
REL99									
3305.60	-20.7	H	3.0	36.1	1.0	-55.9	-13.0	-42.9	
Mid Ch, 836.6									
1673.20	-25.5	V	3.0	37.0	1.0	-61.4	-13.0	-48.4	
2509.80	-19.9	V	3.0	36.4	1.0	-55.3	-13.0	-42.3	
3346.40	-19.5	V	3.0	36.1	1.0	-54.6	-13.0	-41.6	
1673.20	-24.6	H	3.0	37.0	1.0	-60.6	-13.0	-47.6	
2509.80	-23.0	H	3.0	36.4	1.0	-58.4	-13.0	-45.4	
3346.40	-20.5	H	3.0	36.1	1.0	-55.6	-13.0	-42.6	
High Ch, 846.6									
1693.20	-24.3	V	3.0	37.0	1.0	-60.3	-13.0	-47.3	
2539.80	-21.8	V	3.0	36.4	1.0	-57.2	-13.0	-44.2	
3386.40	-20.8	V	3.0	36.1	1.0	-55.9	-13.0	-42.9	
1693.20	-25.3	H	3.0	37.0	1.0	-61.2	-13.0	-48.2	
2539.80	-23.4	H	3.0	36.4	1.0	-58.8	-13.0	-45.8	
3386.40	-20.3	H	3.0	36.1	1.0	-55.4	-13.0	-42.4	