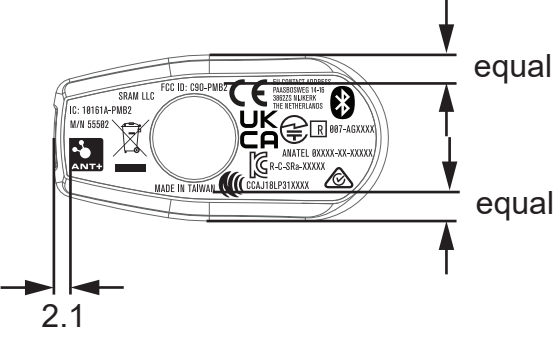
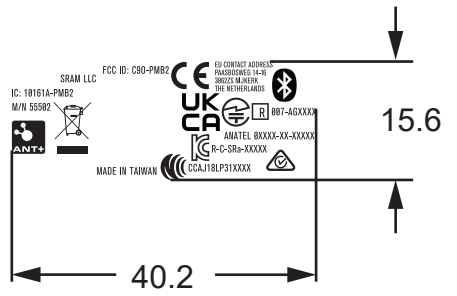


100mm

REV	RESPONSIBLE	REVISION RECORD
A	JBERTA	INITIAL REVISION



← Certification Labels placed on bottom of product as shown



PART NUMBER	DESCRIPTION
66.3018.177.010	ARTWORK TYREWIZ 2 CERTS

DOCUMENT MAY NOT REPRESENT COMPLETE REQUIREMENTS. REFER TO PRODUCT STRUCTURE	
GEOMETRIC DIMENSIONING AND TOLERANCING TO BE INTERPRETED PER ASME Y 14.5-2009	FORMAT: A3 SHEET: 1/1
DO NOT SCALE DRAWING	<p align="center">SRAM[®]</p> <p align="center">CONFIDENTIAL - THIS DRAWING CONTAINS INFORMATION THAT IS PROPRIETARY TO SRAM CORPORATION AND MAY NOT BE DISCLOSED WITHOUT PERMISSION.</p>
ALL DIMENSIONS ARE mm	
UNSPECIFIED LENGTH TOLERANCE X.X +/- 0.5	DRAWING NAME/DESCRIPTION
UNSPECIFIED ANGLE TOLERANCE +/- 2degrees	ARTWORK TYREWIZ 2 CERTS
	DRAWING NUMBER
	66-3018-177-0XX
	REVISION
	A