

1 2 3 4 5 6 7 8 9 10

| REV | RESPONSIBLE | REVISION RECORD |
|-----|-------------|------------------|
| A | JBERTA | INITIAL REVISION |
| | | |
| | | |



NOT TO SCALE

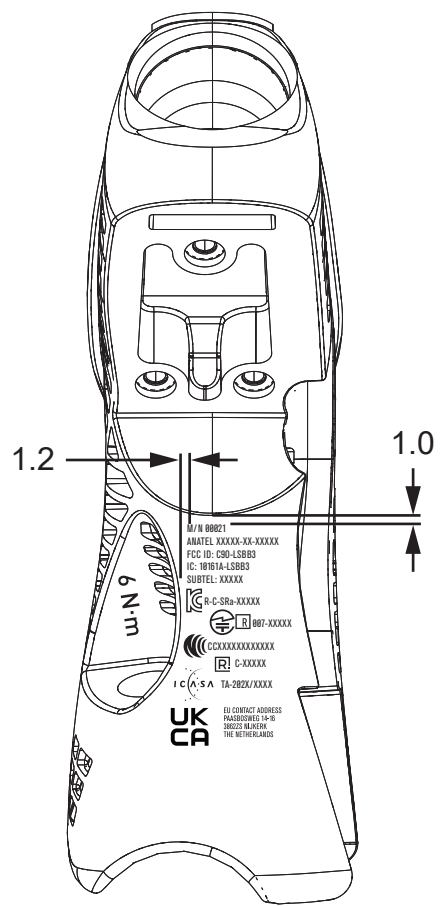
u.N.9

M/N 08021
 ANATEL XXXXX-XX-XXXXX
 FCC ID: C90-LSBB3
 IC: 18161A-LSBB3
 SUBTEL: XXXXX

ICASA TA-282X/XXXX

EU CONTACT ADDRESS
 PASSEPOORT 14-9
 3822Z MARENK
 THE NETHERLANDS

28SEP22 66.7018.279.000



| PART NUMBER | DESCRIPTION |
|-----------------|------------------------------------|
| 66.7018.279.010 | ARTWORK ED LEFT APEX CERTIFICATION |

| | | |
|---|--|------------|
| DOCUMENT MAY NOT REPRESENT COMPLETE REQUIREMENTS. REFER TO PRODUCT STRUCTURE | | |
| GEOMETRIC DIMENSIONING AND TOLERANCING TO BE INTERPRETED PER ASME Y 14.5-2009 | FORMAT: A3 | SHEET: 1/1 |
| DO NOT SCALE DRAWING | SRAM CONFIDENTIAL - THIS DRAWING CONTAINS INFORMATION THAT IS PROPRIETARY TO SRAM CORPORATION AND MAY NOT BE DISCLOSED WITHOUT PERMISSION. | |
| ALL DIMENSIONS ARE mm | | |
| UNSPECIFIED LENGTH TOLERANCE X.X +/- 0.5 | DRAWING NAME/DESCRIPTION | |
| UNSPECIFIED ANGLE TOLERANCE +/- 2degrees | ARTWORK ED LEFT APEX CERTIFICATION | |
| | DRAWING NUMBER | REVISION |
| | 66-7018-279-0XX | E |

DRAFT ONLY

1 2 3 4 5 6 7 8 9 10