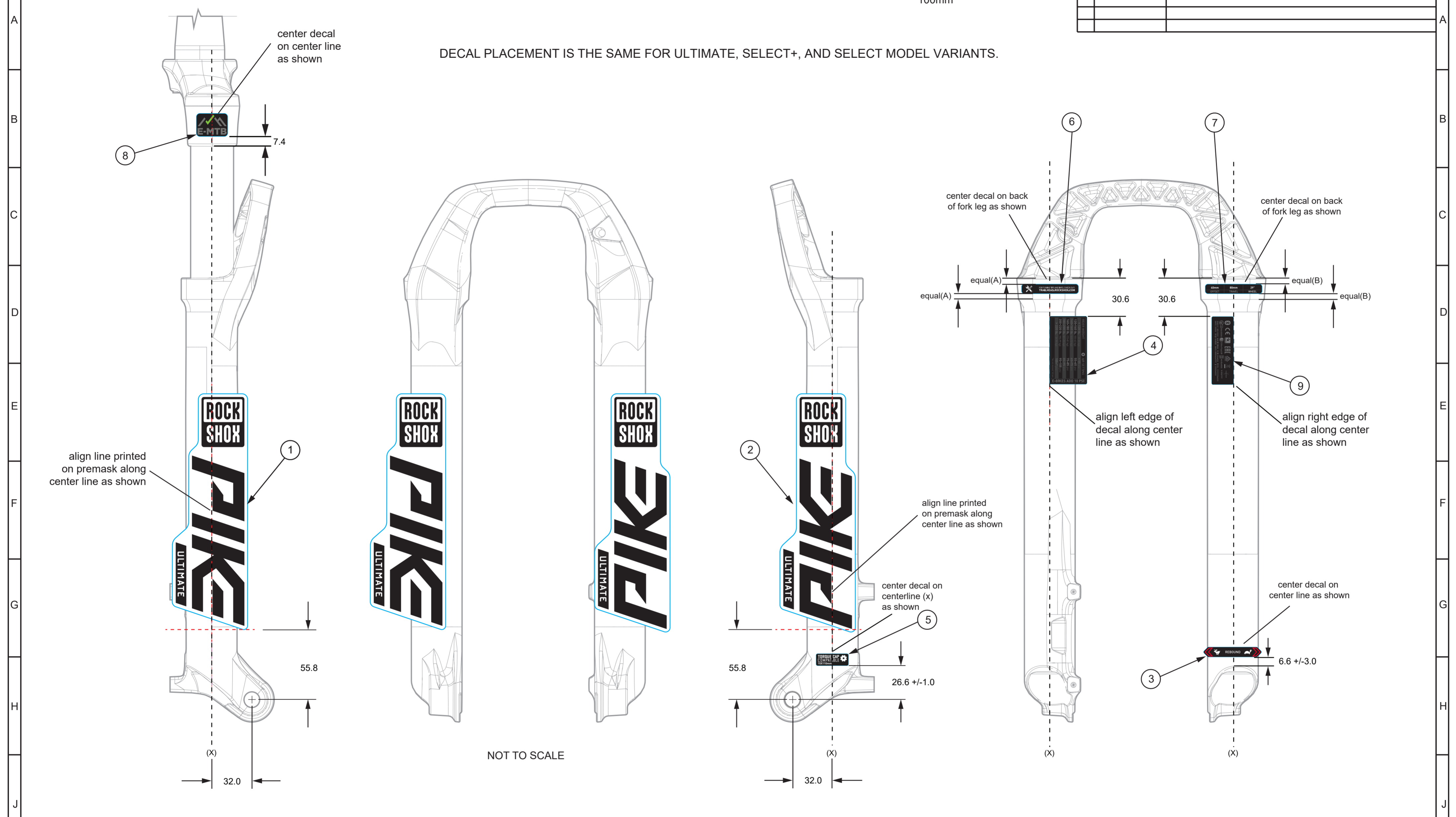


REV	RESPONSIBLE	REVISION RECORD
A	MSERAFIN	RELEASE

100mm

DECAL PLACEMENT IS THE SAME FOR ULTIMATE, SELECT+, AND SELECT MODEL VARIANTS.



ITEM 1	ITEM 2	ITEM 3	ITEM 4	ITEM 5	ITEM 6	ITEM 7	ITEM 8	ITEM 9
DECAL PANEL R	DECAL PANEL L	DECAL REBOUND	DECAL AIR GUIDE	DECAL TORQUE CAP	DECAL TUNING	DECAL TECH	DECAL EMTB	DECAL CERTS

DOCUMENT MAY NOT REPRESENT COMPLETE REQUIREMENTS. REFER TO PRODUCT STRUCTURE

GEOMETRIC DIMENSIONING AND TOLERANCING TO BE INTERPRETED PER ASME Y 14.5-2009

DO NOT SCALE DRAWING

ALL DIMENSIONS ARE mm

UNSPECIFIED LENGTH TOLERANCE X.X +/- 2.0

UNSPECIFIED ANGLE TOLERANCE +/- 0.5 degrees

FORMAT: A2

SHEET: 1/1

**SRAM**

CONFIDENTIAL - THIS DRAWING CONTAINS INFORMATION THAT IS PROPRIETARY TO SRAM CORPORATION AND MAY NOT BE DISCLOSED WITHOUT PERMISSION.

DRAWING NAME/DESCRIPTION

DECAL PLACEMENT PIKE 29

DRAWING NUMBER

90-4018-423-000

REVISION

A