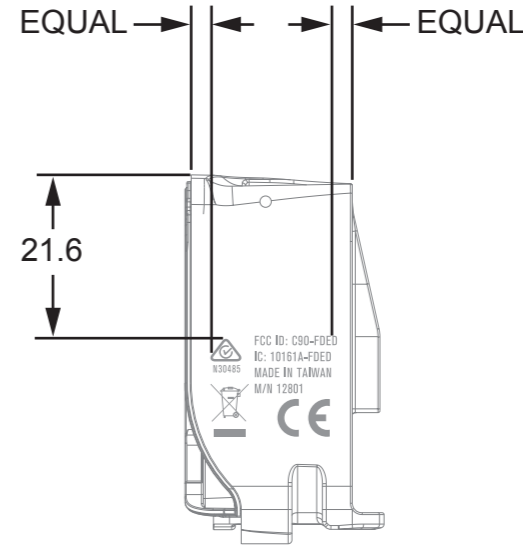


REV	REVISION RECORD
A	RELEASE
B	CHANGE: ARTWORK (C3)



NOT TO SCALE

PART NUMBER	DESCRIPTION	PROCESS SPEC.
66-7618-034-010	ARTWORK CERTIFICATION FD HOUSING	67-8815-026-000

GEOMETRIC DIMENSIONING AND TOLERANCING TO BE INTERPRETED PER ANSI Y 14.5M 1994 DO NOT SCALE DRAWING ALL DIMENSIONS ARE mm UNSPECIFIED LENGTH TOLERANCE X.X +/- 1.0 UNSPECIFIED ANGLE TOLERANCE +/- 5degrees	DESIGNED BY: CHRIS MAY	FORMAT: A3	SHEET: 1/1
	SRAM <small>CONFIDENTIAL - THIS DRAWING CONTAINS INFORMATION THAT IS PROPRIETARY TO SRAM CORPORATION AND MAY NOT BE DISCLOSED WITHOUT PERMISSION.</small>		
	DRAWING NAME/DESCRIPTION		
	ARTWORK CERTIFICATION FD HOUSING		
	DRAWING NUMBER		REVISION
66-7618-034-XXX		B	