

This is a non-approved rough draft document. Do not share outside of SRAM. Procedures, illustrations, and technical information may not be correct and should not be used for any service or installation.



eTap Systems User Manual



eTap Systems
User Manual

eTap Systems
User Manual

eTap Systems
User Manual

eTap Systems
User Manual

eTap Systems
User Manual

eTap Systems
User Manual

eTap Systems
User Manual

eTap Systems
User Manual

eTap Systems
User Manual

Tools and Supplies

Tools and Supplies
Tools and Supplies

Highly specialized tools and supplies are required for the installation of your SRAM components. We recommend that you have a qualified bicycle mechanic install your SRAM components.

Highly specialized tools and supplies are required for the installation of your SRAM components. We recommend that you have a qualified bicycle mechanic install your SRAM components.

Highly specialized tools and supplies are required for the installation of your SRAM components. We recommend that you have a qualified bicycle mechanic install your SRAM components.

Tools and Supplies
Tools and Supplies
Tools and Supplies

Highly specialized tools and supplies are required for the installation of your SRAM components. We recommend that you have a qualified bicycle mechanic install your SRAM components.

Highly specialized tools and supplies are required for the installation of your SRAM components. We recommend that you have a qualified bicycle mechanic install your SRAM components.

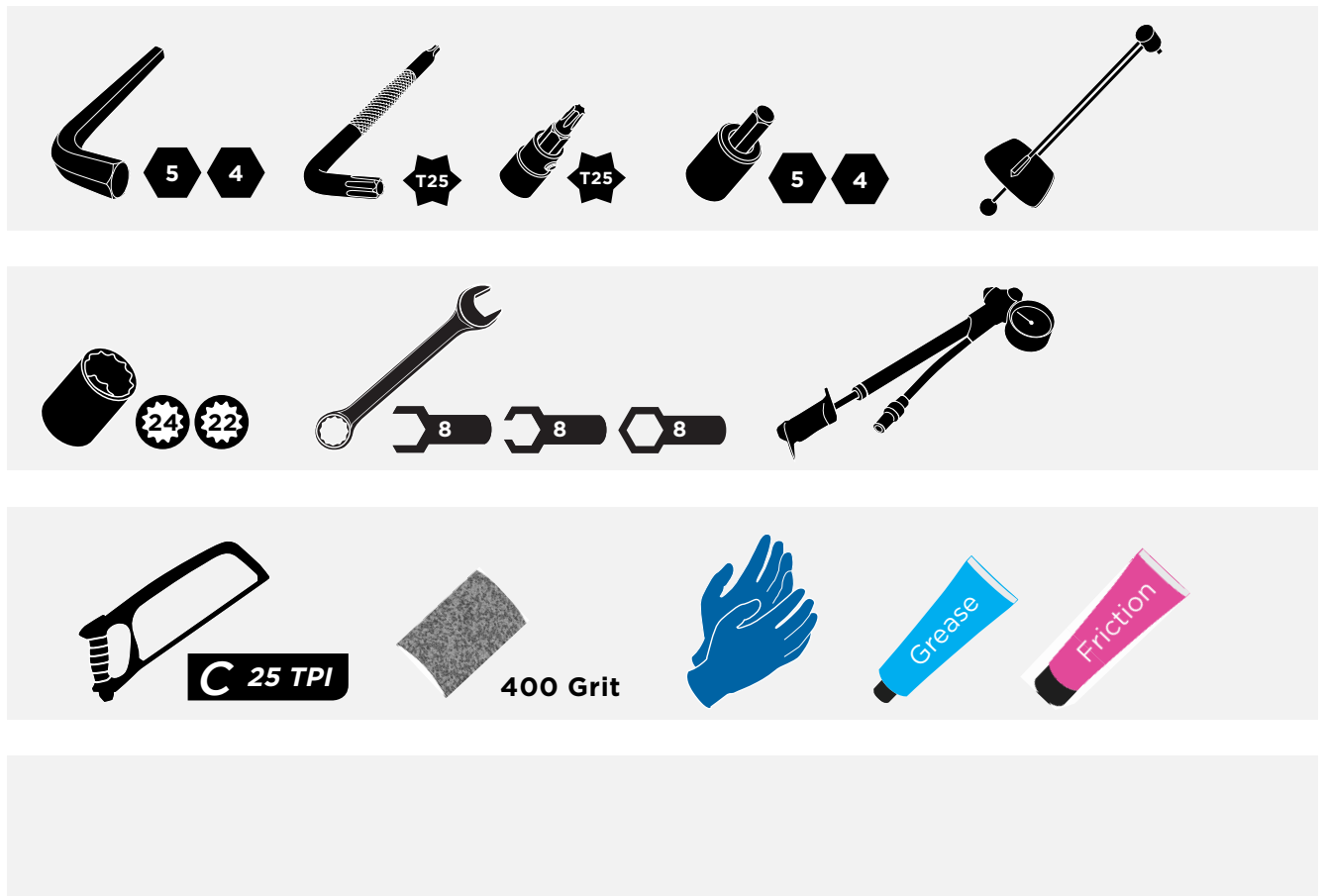
Highly specialized tools and supplies are required for the installation of your SRAM components. We recommend that you have a qualified bicycle mechanic install your SRAM components.

Tools and Supplies
Tools and Supplies
Tools and Supplies

Highly specialized tools and supplies are required for the installation of your SRAM components. We recommend that you have a qualified bicycle mechanic install your SRAM components.

Highly specialized tools and supplies are required for the installation of your SRAM components. We recommend that you have a qualified bicycle mechanic install your SRAM components.

Highly specialized tools and supplies are required for the installation of your SRAM components. We recommend that you have a qualified bicycle mechanic install your SRAM components.



SAFETY INSTRUCTIONS

You must read and understand the safety and warranty document before proceeding with installation. Improperly installed components are extremely dangerous and can result in severe and/or fatal injuries. If you have any questions on the installation of these parts, consult a qualified bicycle mechanic. This document is also available on www.sram.com.

SAFETY INSTRUCTIONS

You must read and understand the safety and warranty document before proceeding with installation. Improperly installed components are extremely dangerous and can result in severe and/or fatal injuries. If you have any questions on the installation of these parts, consult a qualified bicycle mechanic. This document is also available on www.sram.com.

SAFETY INSTRUCTIONS

You must read and understand the safety and warranty document before proceeding with installation. Improperly installed components are extremely dangerous and can result in severe and/or fatal injuries. If you have any questions on the installation of these parts, consult a qualified bicycle mechanic. This document is also available on www.sram.com.

SAFETY INSTRUCTIONS

You must read and understand the safety and warranty document before proceeding with installation. Improperly installed components are extremely dangerous and can result in severe and/or fatal injuries. If you have any questions on the installation of these parts, consult a qualified bicycle mechanic. This document is also available on www.sram.com.

SAFETY INSTRUCTIONS

You must read and understand the safety and warranty document before proceeding with installation. Improperly installed components are extremely dangerous and can result in severe and/or fatal injuries. If you have any questions on the installation of these parts, consult a qualified bicycle mechanic. This document is also available on www.sram.com.

SAFETY INSTRUCTIONS

You must read and understand the safety and warranty document before proceeding with installation. Improperly installed components are extremely dangerous and can result in severe and/or fatal injuries. If you have any questions on the installation of these parts, consult a qualified bicycle mechanic. This document is also available on www.sram.com.

SAFETY INSTRUCTIONS

You must read and understand the safety and warranty document before proceeding with installation. Improperly installed components are extremely dangerous and can result in severe and/or fatal injuries. If you have any questions on the installation of these parts, consult a qualified bicycle mechanic. This document is also available on www.sram.com.

SAFETY INSTRUCTIONS

You must read and understand the safety and warranty document before proceeding with installation. Improperly installed components are extremely dangerous and can result in severe and/or fatal injuries. If you have any questions on the installation of these parts, consult a qualified bicycle mechanic. This document is also available on www.sram.com.

SAFETY INSTRUCTIONS

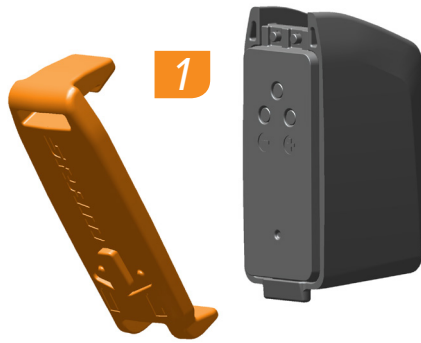
You must read and understand the safety and warranty document before proceeding with installation. Improperly installed components are extremely dangerous and can result in severe and/or fatal injuries. If you have any questions on the installation of these parts, consult a qualified bicycle mechanic. This document is also available on www.sram.com.

Battery Charging

Battery Charging
Battery Charging

Battery Charging
Battery Charging
Battery Charging

Battery Charging
Battery Charging
Battery Charging



Remove the battery cover from the battery.

NOTICE

Do not discard the derailleur battery cover. Install the derailleur battery cover on the battery when it is not on the charger or derailleur.

Remove the battery cover from the battery.

NOTICE

Do not discard the derailleur battery cover. Install the derailleur battery cover on the battery when it is not on the charger or derailleur.

Remove the battery cover from the battery.

NOTICE

Do not discard the derailleur battery cover. Install the derailleur battery cover on the battery when it is not on the charger or derailleur.



Remove the battery cover from the battery.

NOTICE

Do not discard the derailleur battery cover. Install the derailleur battery cover on the battery when it is not on the charger or derailleur.

Remove the battery cover from the battery.

NOTICE

Do not discard the derailleur battery cover. Install the derailleur battery cover on the battery when it is not on the charger or derailleur.

Remove the battery cover from the battery.

NOTICE

Do not discard the derailleur battery cover. Install the derailleur battery cover on the battery when it is not on the charger or derailleur.



Remove the battery cover from the battery.

NOTICE

Do not discard the derailleur battery cover. Install the derailleur battery cover on the battery when it is not on the charger or derailleur.

Remove the battery cover from the battery.

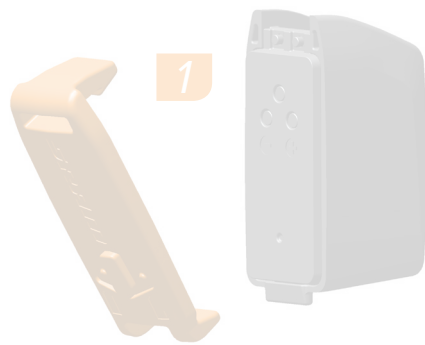
NOTICE

Do not discard the derailleur battery cover. Install the derailleur battery cover on the battery when it is not on the charger or derailleur.

Remove the battery cover from the battery.

NOTICE

Do not discard the derailleur battery cover. Install the derailleur battery cover on the battery when it is not on the charger or derailleur.



Install the battery into the charger with the battery foot seated in the base first.

The LED lights are amber while the battery is charging and turns green when the charging is complete.

Install the battery into the charger with the battery foot seated in the base first.

The LED lights are amber while the battery is charging and turns green when the charging is complete.

Install the battery into the charger with the battery foot seated in the base first.

The LED lights are amber while the battery is charging and turns green when the charging is complete.



Install the battery into the charger with the battery foot seated in the base first.

The LED lights are amber while the battery is charging and turns green when the charging is complete.

Install the battery into the charger with the battery foot seated in the base first.

The LED lights are amber while the battery is charging and turns green when the charging is complete.

Install the battery into the charger with the battery foot seated in the base first.

The LED lights are amber while the battery is charging and turns green when the charging is complete.



Install the battery into the charger with the battery foot seated in the base first.

The LED lights are amber while the battery is charging and turns green when the charging is complete.

Install the battery into the charger with the battery foot seated in the base first.

The LED lights are amber while the battery is charging and turns green when the charging is complete.

Install the battery into the charger with the battery foot seated in the base first.

The LED lights are amber while the battery is charging and turns green when the charging is complete.



Remove
Entfernen
Quitar

Retirar
Rimuovere
Verwijderen

Retire
取り外し
拆卸



Install
Einbauen
Instalación

Installer
Installare
Monteren

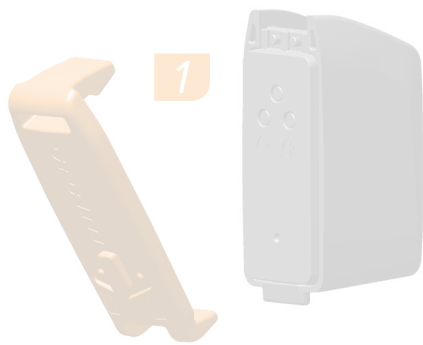
Instalar
取り付け
安装



Adjust
Einstellen
Ajustar

Régler
Regolare
Afstellen

Ajustar
調節
調節



Press the button on the charger base to release the battery.

NOTICE

Immediately install the derailleur battery cover or install the battery on the derailleur. Failure to cover the battery connection points could result in damage to the battery.

Press the button on the charger base to release the battery.

NOTICE

Immediately install the derailleur battery cover or install the battery on the derailleur. Failure to cover the battery connection points could result in damage to the battery.

Press the button on the charger base to release the battery.

NOTICE

Immediately install the derailleur battery cover or install the battery on the derailleur. Failure to cover the battery connection points could result in damage to the battery.



Press the button on the charger base to release the battery.

NOTICE

Immediately install the derailleur battery cover or install the battery on the derailleur. Failure to cover the battery connection points could result in damage to the battery.

Press the button on the charger base to release the battery.

NOTICE

Immediately install the derailleur battery cover or install the battery on the derailleur. Failure to cover the battery connection points could result in damage to the battery.

Press the button on the charger base to release the battery.

NOTICE

Immediately install the derailleur battery cover or install the battery on the derailleur. Failure to cover the battery connection points could result in damage to the battery.



Press the button on the charger base to release the battery.

NOTICE

Immediately install the derailleur battery cover or install the battery on the derailleur. Failure to cover the battery connection points could result in damage to the battery.

Press the button on the charger base to release the battery.

NOTICE

Immediately install the derailleur battery cover or install the battery on the derailleur. Failure to cover the battery connection points could result in damage to the battery.

Press the button on the charger base to release the battery.

NOTICE

Immediately install the derailleur battery cover or install the battery on the derailleur. Failure to cover the battery connection points could result in damage to the battery.



Remove
Entfernen
Quitar

Retirer
Rimuovere
Verwijderen

Retire
取り外し
拆卸



Install
Einbauen
Instalación

Instalar
Installare
Monteren

Instalar
取り付け
安裝



Adjust
Einstellen
Ajustar

Règler
Regolare
Afstellen

Ajustar
調節
調節



Press and hold the function button on the front derailleur until the green LED blinks quickly, then release.

Press and hold the function button on the front derailleur until the green LED blinks quickly, then release.

Press and hold the function button on the front derailleur until the green LED blinks quickly, then release.

Press and hold the function button on the front derailleur until the green LED blinks quickly, then release.

Press and hold the function button on the front derailleur until the green LED blinks quickly, then release.

Press and hold the function button on the front derailleur until the green LED blinks quickly, then release.

Press and hold the function button on the front derailleur until the green LED blinks quickly, then release.

Press and hold the function button on the front derailleur until the green LED blinks quickly, then release.

Press and hold the function button on the front derailleur until the green LED blinks quickly, then release.



Press and hold the function button on one shifter until the green LED blinks quickly, then release. Repeat on the other shifter.

Press and hold the function button on one shifter until the green LED blinks quickly, then release. Repeat on the other shifter.

Press and hold the function button on one shifter until the green LED blinks quickly, then release. Repeat on the other shifter.

Press and release the function button on the rear derailleur to end pairing, or wait 30 seconds for the pairing session to time out. The green LED will stop blinking.

Press and release the function button on the rear derailleur to end pairing, or wait 30 seconds for the pairing session to time out. The green LED will stop blinking.

Press and release the function button on the rear derailleur to end pairing, or wait 30 seconds for the pairing session to time out. The green LED will stop blinking.

Press and hold the function button on one shifter until the green LED blinks quickly, then release. Repeat on the other shifter.

Press and hold the function button on one shifter until the green LED blinks quickly, then release. Repeat on the other shifter.

Press and hold the function button on one shifter until the green LED blinks quickly, then release. Repeat on the other shifter.

Press and release the function button on the rear derailleur to end pairing, or wait 30 seconds for the pairing session to time out. The green LED will stop blinking.

Press and release the function button on the rear derailleur to end pairing, or wait 30 seconds for the pairing session to time out. The green LED will stop blinking.

Press and release the function button on the rear derailleur to end pairing, or wait 30 seconds for the pairing session to time out. The green LED will stop blinking.

Press and hold the function button on one shifter until the green LED blinks quickly, then release. Repeat on the other shifter.

Press and hold the function button on one shifter until the green LED blinks quickly, then release. Repeat on the other shifter.

Press and hold the function button on one shifter until the green LED blinks quickly, then release. Repeat on the other shifter.

Press and release the function button on the rear derailleur to end pairing, or wait 30 seconds for the pairing session to time out. The green LED will stop blinking.

Press and release the function button on the rear derailleur to end pairing, or wait 30 seconds for the pairing session to time out. The green LED will stop blinking.

Press and release the function button on the rear derailleur to end pairing, or wait 30 seconds for the pairing session to time out. The green LED will stop blinking.



Measure
Messen
Medir

Mesurer
Misurare
Meten

Medir
計測
測量



Remove
Entfernen
Quitar

Retirer
Rimuovere
Verwijderen

Retire
取り外し
拆卸

3



Press both shifter paddles simultaneously to move the front derailleur inboard or outboard.

Press both shifter paddles simultaneously to move the front derailleur inboard or outboard.

Press both shifter paddles simultaneously to move the front derailleur inboard or outboard.

Press both shifter paddles simultaneously to move the front derailleur inboard or outboard.

Press both shifter paddles simultaneously to move the front derailleur inboard or outboard.

Press both shifter paddles simultaneously to move the front derailleur inboard or outboard.

Press both shifter paddles simultaneously to move the front derailleur inboard or outboard.

Press both shifter paddles simultaneously to move the front derailleur inboard or outboard.

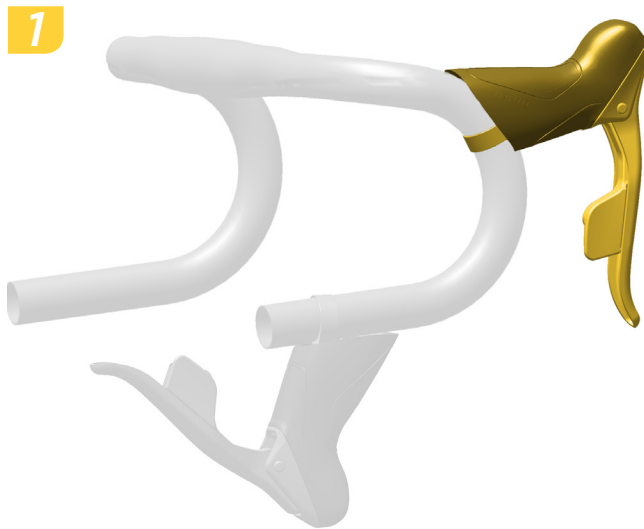
Press both shifter paddles simultaneously to move the front derailleur inboard or outboard.

Shifter Installation

Shifter Installation
Shifter Installation

Shifter Installation
Shifter Installation
Shifter Installation

Shifter Installation
Shifter Installation
Shifter Installation



Install the shifter assembly onto the handlebar and set it to your desired position.

Install the shifter assembly onto the handlebar and set it to your desired position.

Install the shifter assembly onto the handlebar and set it to your desired position.

Install the shifter assembly onto the handlebar and set it to your desired position.

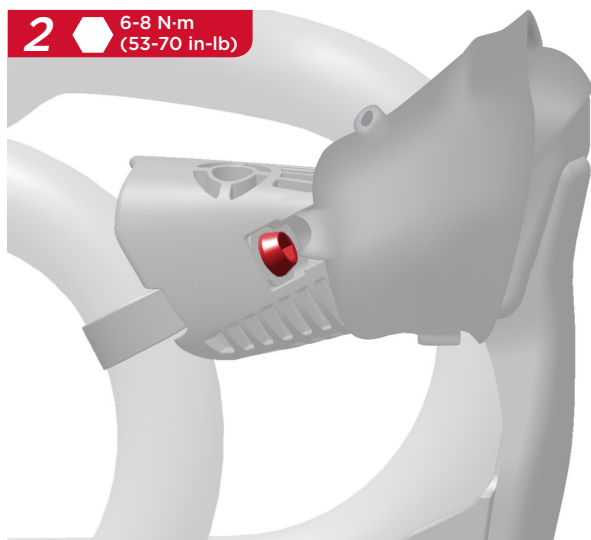
Install the shifter assembly onto the handlebar and set it to your desired position.

Install the shifter assembly onto the handlebar and set it to your desired position.

Install the shifter assembly onto the handlebar and set it to your desired position.

Install the shifter assembly onto the handlebar and set it to your desired position.

Install the shifter assembly onto the handlebar and set it to your desired position.



Use a 5 mm hex bit socket to torque the shifter bolt to 6-8 N·m (53-70 in-lbs).

Use a 5 mm hex bit socket to torque the shifter bolt to 6-8 N·m (53-70 in-lbs).

Use a 5 mm hex bit socket to torque the shifter bolt to 6-8 N·m (53-70 in-lbs).

Use a 5 mm hex bit socket to torque the shifter bolt to 6-8 N·m (53-70 in-lbs).

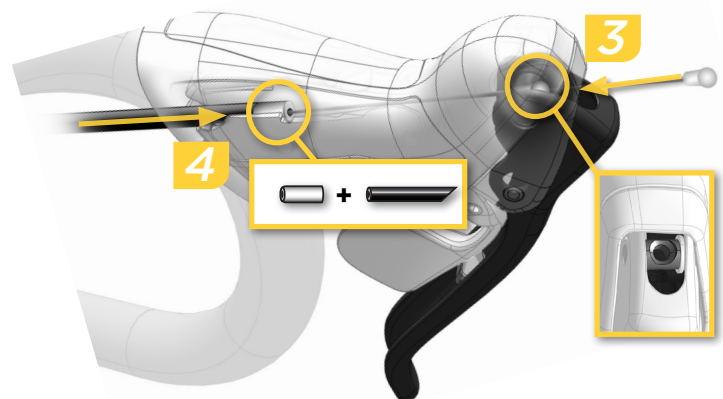
Use a 5 mm hex bit socket to torque the shifter bolt to 6-8 N·m (53-70 in-lbs).

Use a 5 mm hex bit socket to torque the shifter bolt to 6-8 N·m (53-70 in-lbs).

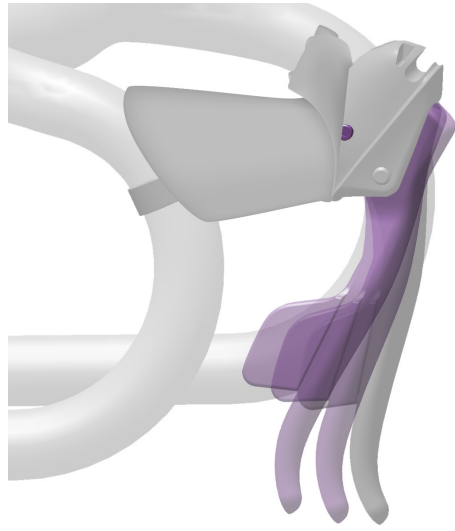
Use a 5 mm hex bit socket to torque the shifter bolt to 6-8 N·m (53-70 in-lbs).

Use a 5 mm hex bit socket to torque the shifter bolt to 6-8 N·m (53-70 in-lbs).

Use a 5 mm hex bit socket to torque the shifter bolt to 6-8 N·m (53-70 in-lbs).



5 



Install
Einbauen
Instalación

Installer
Installare
Monteren

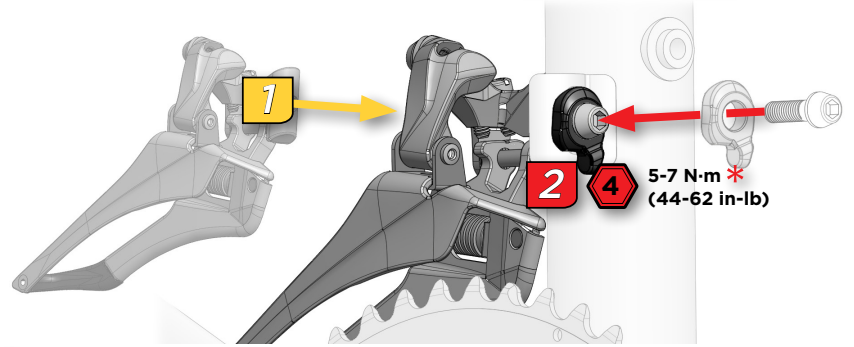
Instalar
取り付け
安装

Direct Mount

Direct Mount
 Direct Mount
 Direct Mount

Direct Mount
 Direct Mount
 Direct Mount

Direct Mount
 Direct Mount
 Direct Mount



* After step 4.
 Nach Schritt 4.
 Después del paso 4.
 Après l'étape 4.
 Dopo il punto 4.

Na stap 4.
 Depois do passo 4.
 ステップ 4 終了後。
 第 4 步之后。
 Po kroku 4.

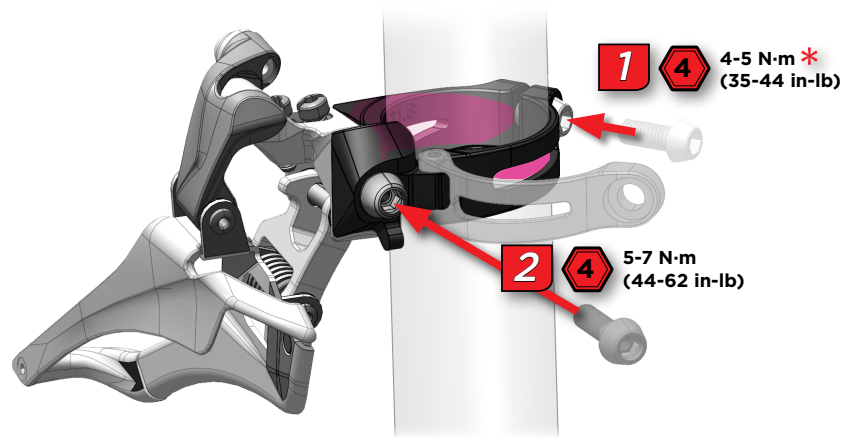
Efter trin 4.
 Po provedení kroku 4.
 Μετά το βήμα 4.
 După pasul 4.

Clamp Mount

Clamp Mount
 Clamp Mount
 Clamp Mount

Clamp Mount
 Clamp Mount
 Clamp Mount

Clamp Mount
 Clamp Mount
 Clamp Mount



The tip of the tallest chainring teeth must appear within the setup line when viewed directly from the side.

The tip of the tallest chainring teeth must appear within the setup line when viewed directly from the side.

The tip of the tallest chainring teeth must appear within the setup line when viewed directly from the side.

The tip of the tallest chainring teeth must appear within the setup line when viewed directly from the side.

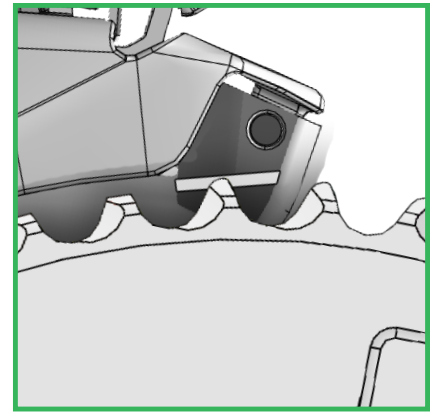
The tip of the tallest chainring teeth must appear within the setup line when viewed directly from the side.

The tip of the tallest chainring teeth must appear within the setup line when viewed directly from the side.

The tip of the tallest chainring teeth must appear within the setup line when viewed directly from the side.

The tip of the tallest chainring teeth must appear within the setup line when viewed directly from the side.

The tip of the tallest chainring teeth must appear within the setup line when viewed directly from the side.



Align the tooth tips of the large chainring with the guide marks on the derailleur.

Align the tooth tips of the large chainring with the guide marks on the derailleur.

Align the tooth tips of the large chainring with the guide marks on the derailleur.

Align the tooth tips of the large chainring with the guide marks on the derailleur.

Align the tooth tips of the large chainring with the guide marks on the derailleur.

Align the tooth tips of the large chainring with the guide marks on the derailleur.

Align the tooth tips of the large chainring with the guide marks on the derailleur.

Align the tooth tips of the large chainring with the guide marks on the derailleur.

Align the tooth tips of the large chainring with the guide marks on the derailleur.

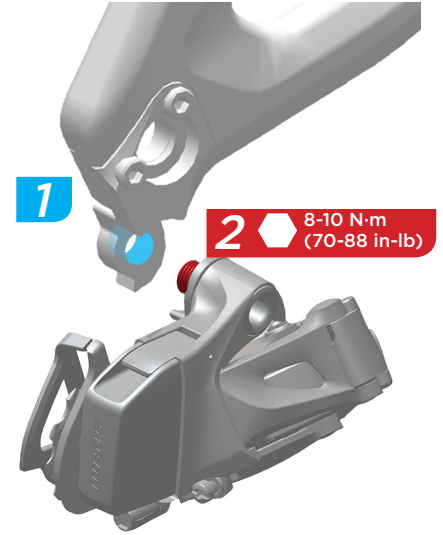


Rear Derailleur Installation

Rear Derailleur Installation
Rear Derailleur Installation

Rear Derailleur Installation
Rear Derailleur Installation
Rear Derailleur Installation

Rear Derailleur Installation
Rear Derailleur Installation
Rear Derailleur Installation



Press and hold the left shift paddle to shift the rear derailleur until it is fully extended.

Press and hold the left shift paddle to shift the rear derailleur until it is fully extended.

Press and hold the left shift paddle to shift the rear derailleur until it is fully extended.

Press and hold the left shift paddle to shift the rear derailleur until it is fully extended.

Press and hold the left shift paddle to shift the rear derailleur until it is fully extended.

Press and hold the left shift paddle to shift the rear derailleur until it is fully extended.

Press and hold the left shift paddle to shift the rear derailleur until it is fully extended.

Press and hold the left shift paddle to shift the rear derailleur until it is fully extended.

Press and hold the left shift paddle to shift the rear derailleur until it is fully extended.



NOTICE

Do not manually force the derailleur to move inboard or outboard. Forcing the derailleur to move will damage the motor.

NOTICE

Do not manually force the derailleur to move inboard or outboard. Forcing the derailleur to move will damage the motor.

NOTICE

Do not manually force the derailleur to move inboard or outboard. Forcing the derailleur to move will damage the motor.

NOTICE

Do not manually force the derailleur to move inboard or outboard. Forcing the derailleur to move will damage the motor.

NOTICE

Do not manually force the derailleur to move inboard or outboard. Forcing the derailleur to move will damage the motor.

NOTICE

Do not manually force the derailleur to move inboard or outboard. Forcing the derailleur to move will damage the motor.

NOTICE

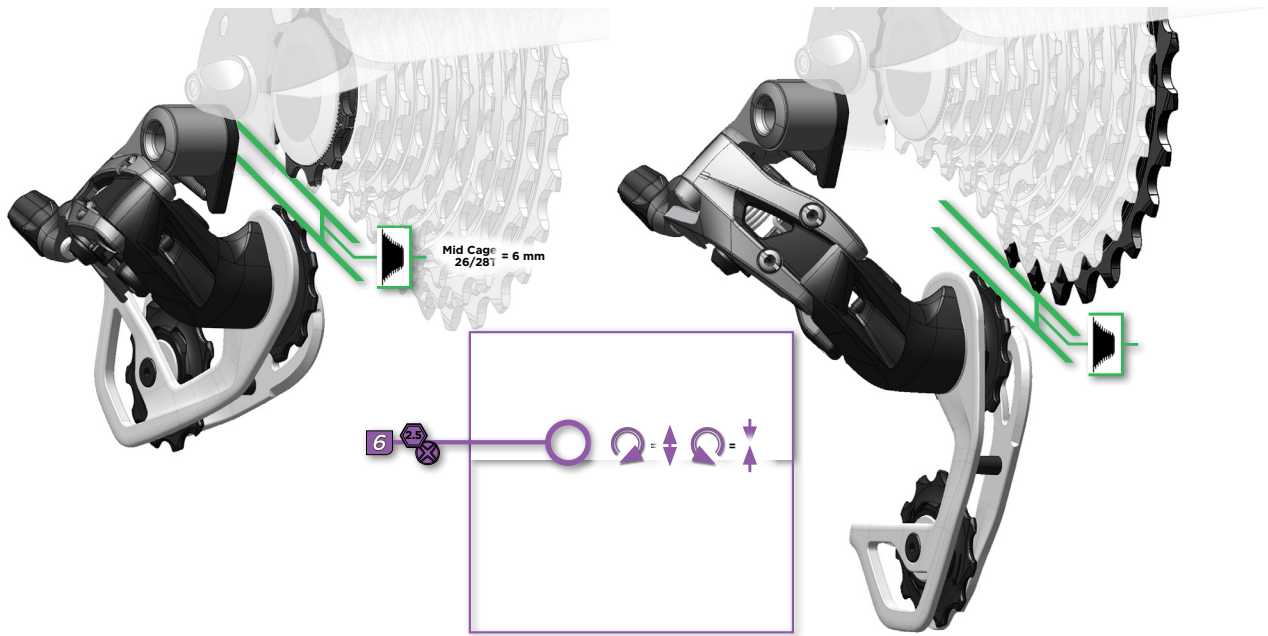
Do not manually force the derailleur to move inboard or outboard. Forcing the derailleur to move will damage the motor.

NOTICE

Do not manually force the derailleur to move inboard or outboard. Forcing the derailleur to move will damage the motor.

NOTICE

Do not manually force the derailleur to move inboard or outboard. Forcing the derailleur to move will damage the motor.



Use your fingers to adjust the low limit screw so that it lightly contacts the inner link of the rear derailleur.

Use your fingers to adjust the low limit screw so that it lightly contacts the inner link of the rear derailleur.

Use your fingers to adjust the low limit screw so that it lightly contacts the inner link of the rear derailleur.

Use your fingers to adjust the low limit screw so that it lightly contacts the inner link of the rear derailleur.

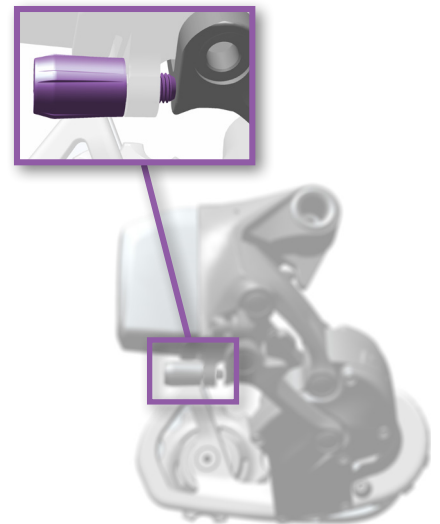
Use your fingers to adjust the low limit screw so that it lightly contacts the inner link of the rear derailleur.

Use your fingers to adjust the low limit screw so that it lightly contacts the inner link of the rear derailleur.

Use your fingers to adjust the low limit screw so that it lightly contacts the inner link of the rear derailleur.

Use your fingers to adjust the low limit screw so that it lightly contacts the inner link of the rear derailleur.

Use your fingers to adjust the low limit screw so that it lightly contacts the inner link of the rear derailleur.



Press and hold the right shift paddle to shift the rear derailleur until it is fully compacted.

Press and hold the right shift paddle to shift the rear derailleur until it is fully compacted.

Press and hold the right shift paddle to shift the rear derailleur until it is fully compacted.

Press and hold the right shift paddle to shift the rear derailleur until it is fully compacted.

Press and hold the right shift paddle to shift the rear derailleur until it is fully compacted.

Press and hold the right shift paddle to shift the rear derailleur until it is fully compacted.

Press and hold the right shift paddle to shift the rear derailleur until it is fully compacted.

Press and hold the right shift paddle to shift the rear derailleur until it is fully compacted.

Press and hold the right shift paddle to shift the rear derailleur until it is fully compacted.



NOTICE
Do not manually force the derailleur to move inboard or outboard. Forcing the derailleur to move will damage the motor.

NOTICE
Do not manually force the derailleur to move inboard or outboard. Forcing the derailleur to move will damage the motor.

NOTICE
Do not manually force the derailleur to move inboard or outboard. Forcing the derailleur to move will damage the motor.

NOTICE
Do not manually force the derailleur to move inboard or outboard. Forcing the derailleur to move will damage the motor.

NOTICE
Do not manually force the derailleur to move inboard or outboard. Forcing the derailleur to move will damage the motor.

NOTICE
Do not manually force the derailleur to move inboard or outboard. Forcing the derailleur to move will damage the motor.

NOTICE
Do not manually force the derailleur to move inboard or outboard. Forcing the derailleur to move will damage the motor.

NOTICE
Do not manually force the derailleur to move inboard or outboard. Forcing the derailleur to move will damage the motor.

NOTICE
Do not manually force the derailleur to move inboard or outboard. Forcing the derailleur to move will damage the motor.

Use a 2.5 mm hex wrench to adjust the high limit screw until it lightly touches the inner link of the rear derailleur.

Use a 2.5 mm hex wrench to adjust the high limit screw until it lightly touches the inner link of the rear derailleur.

Use a 2.5 mm hex wrench to adjust the high limit screw until it lightly touches the inner link of the rear derailleur.

Use a 2.5 mm hex wrench to adjust the high limit screw until it lightly touches the inner link of the rear derailleur.

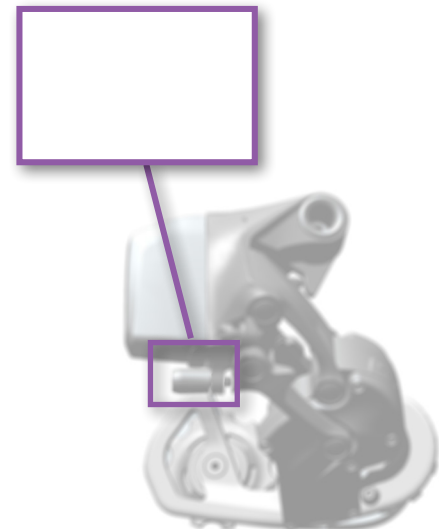
Use a 2.5 mm hex wrench to adjust the high limit screw until it lightly touches the inner link of the rear derailleur.

Use a 2.5 mm hex wrench to adjust the high limit screw until it lightly touches the inner link of the rear derailleur.

Use a 2.5 mm hex wrench to adjust the high limit screw until it lightly touches the inner link of the rear derailleur.

Use a 2.5 mm hex wrench to adjust the high limit screw until it lightly touches the inner link of the rear derailleur.

Use a 2.5 mm hex wrench to adjust the high limit screw until it lightly touches the inner link of the rear derailleur.



Chain Installation

Chain Installation
Chain Installation

Wrap the chain around the largest cog on the rear derailleur and the large chainring. From where the chain meets, add one inner and one outer link. Use a chain tool to remove the excess chain.

Wrap the chain around the largest cog on the rear derailleur and the large chainring. From where the chain meets, add one inner and one outer link. Use a chain tool to remove the excess chain.

Wrap the chain around the largest cog on the rear derailleur and the large chainring. From where the chain meets, add one inner and one outer link. Use a chain tool to remove the excess chain.

Route the chain through the rear derailleur.

Route the chain through the rear derailleur.

Route the chain through the rear derailleur.

Wrap the chain around the largest cog on the rear derailleur and the large chainring. From where the chain meets, add one inner and one outer link. Use a chain tool to remove the excess chain.

Wrap the chain around the largest cog on the rear derailleur and the large chainring. From where the chain meets, add one inner and one outer link. Use a chain tool to remove the excess chain.

Wrap the chain around the largest cog on the rear derailleur and the large chainring. From where the chain meets, add one inner and one outer link. Use a chain tool to remove the excess chain.

Route the chain through the rear derailleur.

Route the chain through the rear derailleur.

Route the chain through the rear derailleur.

Chain Installation

Chain Installation
Chain Installation

Wrap the chain around the largest cog on the rear derailleur and the large chainring. From where the chain meets, add one inner and one outer link. Use a chain tool to remove the excess chain.

Wrap the chain around the largest cog on the rear derailleur and the large chainring. From where the chain meets, add one inner and one outer link. Use a chain tool to remove the excess chain.

Wrap the chain around the largest cog on the rear derailleur and the large chainring. From where the chain meets, add one inner and one outer link. Use a chain tool to remove the excess chain.

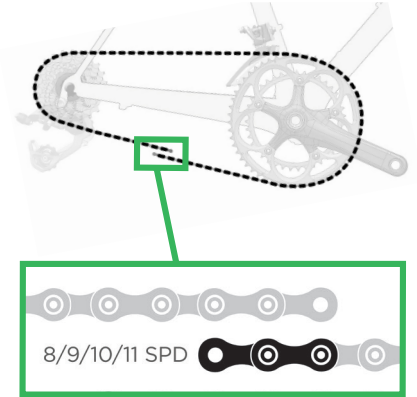
Route the chain through the rear derailleur.

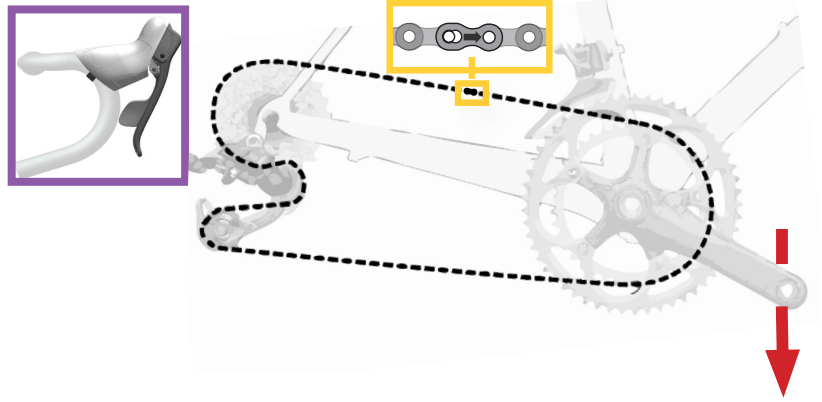
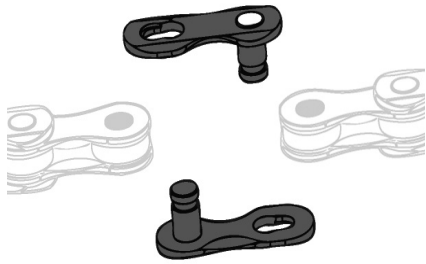
Route the chain through the rear derailleur.

Route the chain through the rear derailleur.

Chain Installation

Chain Installation
Chain Installation





Install the PowerLock. Install the PowerLock. Install the PowerLock.

Install the PowerLock. Install the PowerLock. Install the PowerLock.

Install the PowerLock. Install the PowerLock. Install the PowerLock.

Squeeze the brake lever while pushing the crankarm down to lock the PowerLock into place.

Squeeze the brake lever while pushing the crankarm down to lock the PowerLock into place.

Squeeze the brake lever while pushing the crankarm down to lock the PowerLock into place.

Squeeze the brake lever while pushing the crankarm down to lock the PowerLock into place.

Squeeze the brake lever while pushing the crankarm down to lock the PowerLock into place.

Squeeze the brake lever while pushing the crankarm down to lock the PowerLock into place.

Squeeze the brake lever while pushing the crankarm down to lock the PowerLock into place.

Squeeze the brake lever while pushing the crankarm down to lock the PowerLock into place.

Squeeze the brake lever while pushing the crankarm down to lock the PowerLock into place.

With the chain as illustrated, use a 2.5 mm hex to turn the high limit screw until there is 1 mm of clearance between the inside of the outer derailleur cage plate and the chain.

With the chain as illustrated, use a 2.5 mm hex to turn the high limit screw until there is 1 mm of clearance between the inside of the outer derailleur cage plate and the chain.

With the chain as illustrated, use a 2.5 mm hex to turn the high limit screw until there is 1 mm of clearance between the inside of the outer derailleur cage plate and the chain.

With the chain as illustrated, use a 2.5 mm hex to turn the high limit screw until there is 1 mm of clearance between the inside of the outer derailleur cage plate and the chain.

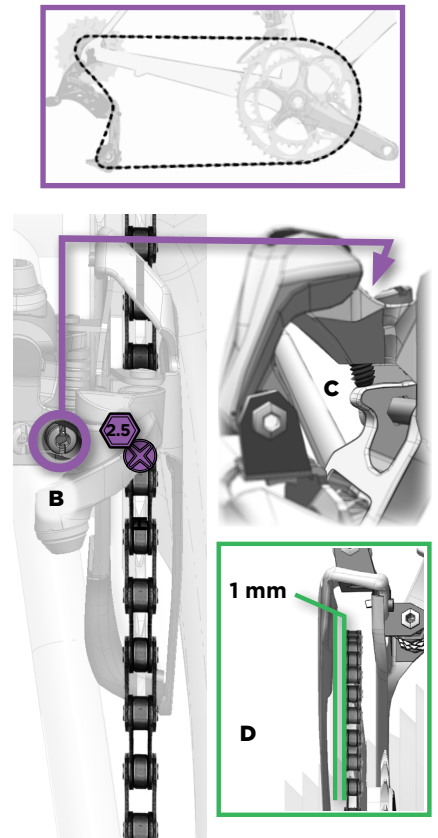
With the chain as illustrated, use a 2.5 mm hex to turn the high limit screw until there is 1 mm of clearance between the inside of the outer derailleur cage plate and the chain.

With the chain as illustrated, use a 2.5 mm hex to turn the high limit screw until there is 1 mm of clearance between the inside of the outer derailleur cage plate and the chain.

With the chain as illustrated, use a 2.5 mm hex to turn the high limit screw until there is 1 mm of clearance between the inside of the outer derailleur cage plate and the chain.

With the chain as illustrated, use a 2.5 mm hex to turn the high limit screw until there is 1 mm of clearance between the inside of the outer derailleur cage plate and the chain.

With the chain as illustrated, use a 2.5 mm hex to turn the high limit screw until there is 1 mm of clearance between the inside of the outer derailleur cage plate and the chain.



Maintenance

Maintenance
Maintenance

Maintenance

Maintenance
Maintenance

Maintenance

Maintenance
Maintenance

Periodic cleaning is recommended.
Use a damp cloth to wipe the components until clean.

Periodic cleaning is recommended.
Use a damp cloth to wipe the components until clean.

Periodic cleaning is recommended.
Use a damp cloth to wipe the components until clean.

Periodic cleaning is recommended.
Use a damp cloth to wipe the components until clean.

Periodic cleaning is recommended.
Use a damp cloth to wipe the components until clean.

Periodic cleaning is recommended.
Use a damp cloth to wipe the components until clean.

Periodic cleaning is recommended.
Use a damp cloth to wipe the components until clean.

Periodic cleaning is recommended.
Use a damp cloth to wipe the components until clean.

Periodic cleaning is recommended.
Use a damp cloth to wipe the components until clean.

Battery Status Lights
 Battery Status Lights
 Battery Status Lights

The LED color indicates the battery life remaining, and lights up when a shift is performed.

The LED color indicates the battery life remaining, and lights up when a shift is performed.

The LED color indicates the battery life remaining, and lights up when a shift is performed.



●		60-15 hours	60-15 hours	60-15 hours
		60-15 hours	60-15 hours	60-15 hours
		60-15 hours	60-15 hours	60-15 hours
●		15-6 hours	15-6 hours	15-6 hours
		15-6 hours	15-6 hours	15-6 hours
		15-6 hours	15-6 hours	15-6 hours
☀		5-1 hours	5-1 hours	5-1 hours
		5-1 hours	5-1 hours	5-1 hours
		5-1 hours	5-1 hours	5-1 hours

Battery Status Lights
 Battery Status Lights
 Battery Status Lights

The LED color indicates the battery life remaining, and lights up when a shift is performed.

The LED color indicates the battery life remaining, and lights up when a shift is performed.

The LED color indicates the battery life remaining, and lights up when a shift is performed.



●		90-22 hours	90-22 hours	90-22 hours
		90-22 hours	90-22 hours	90-22 hours
		90-22 hours	90-22 hours	90-22 hours
●		22-9 hours	22-9 hours	22-9 hours
		22-9 hours	22-9 hours	22-9 hours
		22-9 hours	22-9 hours	22-9 hours
☀		8-1 hours	8-1 hours	8-1 hours
		8-1 hours	8-1 hours	8-1 hours
		8-1 hours	8-1 hours	8-1 hours

Battery Status Lights
 Battery Status Lights
 Battery Status Lights

The LED color indicates the battery life remaining, and lights up when a shift is performed.

The LED color indicates the battery life remaining, and lights up when a shift is performed.

The LED color indicates the battery life remaining, and lights up when a shift is performed.

Shifter Battery Replacement

Shifter Battery Replacement
Shifter Battery Replacement

⚠WARNING

Do not use sharp objects to remove batteries.

Keep out of reach of children.

Do not put the battery in your mouth. If ingested, seek medical attention immediately.

Do not disassemble, damage, or puncture the battery.

Consult the battery manufacturer for safe handling instructions.

Shifter Battery Replacement

Shifter Battery Replacement
Shifter Battery Replacement

⚠WARNING

Do not use sharp objects to remove batteries.

Keep out of reach of children.

Do not put the battery in mouth. If ingested, seek medical attention immediately.

Do not disassemble, damage, or puncture the battery.

Consult the battery manufacturer for safe handling instructions.

Shifter Battery Replacement

Shifter Battery Replacement
Shifter Battery Replacement

⚠WARNING

Do not use sharp objects to remove batteries.

Keep out of reach of children.

Do not put the battery in mouth. If ingested, seek medical attention immediately.

Do not disassemble, damage, or puncture the battery.

Consult the battery manufacturer for safe handling instructions.

⚠WARNING

Do not use sharp objects to remove batteries.

Keep out of reach of children.

Do not put the battery in mouth. If ingested, seek medical attention immediately.

Do not disassemble, damage, or puncture the battery.

Consult the battery manufacturer for safe handling instructions.

⚠WARNING

Do not use sharp objects to remove batteries.

Keep out of reach of children.

Do not put the battery in mouth. If ingested, seek medical attention immediately.

Do not disassemble, damage, or puncture the battery.

Consult the battery manufacturer for safe handling instructions.

⚠WARNING

Do not use sharp objects to remove batteries.

Keep out of reach of children.

Do not put the battery in mouth. If ingested, seek medical attention immediately.

Do not disassemble, damage, or puncture the battery.

Consult the battery manufacturer for safe handling instructions.

⚠WARNING

Do not use sharp objects to remove batteries.

Keep out of reach of children.

Do not put the battery in mouth. If ingested, seek medical attention immediately.

Do not disassemble, damage, or puncture the battery.

Consult the battery manufacturer for safe handling instructions.

⚠WARNING

Do not use sharp objects to remove batteries.

Keep out of reach of children.

Do not put the battery in mouth. If ingested, seek medical attention immediately.

Do not disassemble, damage, or puncture the battery.

Consult the battery manufacturer for safe handling instructions.

⚠WARNING

Do not use sharp objects to remove batteries.

Keep out of reach of children.

Do not put the battery in mouth. If ingested, seek medical attention immediately.

Do not disassemble, damage, or puncture the battery.

Consult the battery manufacturer for safe handling instructions.

For consumers in the United States and Canada, SRAM has partnered with the Rechargeable Battery Recycling Corporation. Please call 1-800-8-BATTERY or visit www.rbrc.org for additional information.

Replace the battery with an authentic SRAM replacement battery only.

Used batteries must be recycled in accordance with local and federal government regulations.

⚠WARNING

Do not throw batteries in a fire.

For consumers in the United States and Canada, SRAM has partnered with the Rechargeable Battery Recycling Corporation. Please call 1-800-8-BATTERY or visit www.rbrc.org for additional information.

Replace the battery with an authentic SRAM replacement battery only.

Used batteries must be recycled in accordance with local and federal government regulations.

⚠WARNING

Do not throw batteries in a fire.

For consumers in the United States and Canada, SRAM has partnered with the Rechargeable Battery Recycling Corporation. Please call 1-800-8-BATTERY or visit www.rbrc.org for additional information.

Replace the battery with an authentic SRAM replacement battery only.

Used batteries must be recycled in accordance with local and federal government regulations.

⚠WARNING

Do not throw batteries in a fire.

For consumers in the United States and Canada, SRAM has partnered with the Rechargeable Battery Recycling Corporation. Please call 1-800-8-BATTERY or visit www.rbrc.org for additional information.

Replace the battery with an authentic SRAM replacement battery only.

Used batteries must be recycled in accordance with local and federal government regulations.

⚠WARNING

Do not throw batteries in a fire.

For consumers in the United States and Canada, SRAM has partnered with the Rechargeable Battery Recycling Corporation. Please call 1-800-8-BATTERY or visit www.rbrc.org for additional information.

Replace the battery with an authentic SRAM replacement battery only.

Used batteries must be recycled in accordance with local and federal government regulations.

⚠WARNING

Do not throw batteries in a fire.

For consumers in the United States and Canada, SRAM has partnered with the Rechargeable Battery Recycling Corporation. Please call 1-800-8-BATTERY or visit www.rbrc.org for additional information.

Replace the battery with an authentic SRAM replacement battery only.

Used batteries must be recycled in accordance with local and federal government regulations.

⚠WARNING

Do not throw batteries in a fire.

For consumers in the United States and Canada, SRAM has partnered with the Rechargeable Battery Recycling Corporation. Please call 1-800-8-BATTERY or visit www.rbrc.org for additional information.

Replace the battery with an authentic SRAM replacement battery only.

Used batteries must be recycled in accordance with local and federal government regulations.

⚠WARNING

Do not throw batteries in a fire.

For consumers in the United States and Canada, SRAM has partnered with the Rechargeable Battery Recycling Corporation. Please call 1-800-8-BATTERY or visit www.rbrc.org for additional information.

Replace the battery with an authentic SRAM replacement battery only.

Used batteries must be recycled in accordance with local and federal government regulations.

⚠WARNING

Do not throw batteries in a fire.

For consumers in the United States and Canada, SRAM has partnered with the Rechargeable Battery Recycling Corporation. Please call 1-800-8-BATTERY or visit www.rbrc.org for additional information.

Replace the battery with an authentic SRAM replacement battery only.

Used batteries must be recycled in accordance with local and federal government regulations.

⚠WARNING

Do not throw batteries in a fire.

Compliance
Compliance
Compliance

Compliance
Compliance
Compliance

Compliance
Compliance
Compliance

SRAM LLC certifies that this product and its packaging are in compliance with:

R&TTE Directive, the Radio and Telecommunication Terminal Equipment Directive 1999/5/EC

WEEE Directive, the Waste Electrical and Electronic Equipment Directive 2012/19/EU

RoHS Directive, the restriction of the use of certain hazardous substances in electrical and electronic equipment 2002/95/EC

REACH Directive, the Regulation on Registration, Evaluation, Authorization and Restriction of Chemical Directive 1907/2006/EC

Batteries and Accumulators and Waste Batteries and Accumulators Directive 2006/66/EU

This device complies with Part 15 of the FCC Rules. Operation is subject to the following two conditions: (1) this device may not cause harmful interference, and (2) this device must accept any interference received, including interference that may cause undesired operation.

Note: This equipment has been tested and found to comply with the limits for a Class B digital device, pursuant to part 15 of the FCC Rules. These limits are designed to provide reasonable protection against harmful interference in a residential installation. This equipment generates, uses and can radiate radio frequency energy and, if not installed and used in accordance with the instructions, may cause harmful interference to radio communications. However, there is no guarantee that interference will not occur in a particular installation. If this equipment does cause harmful interference to radio or television reception, which can be determined by turning the equipment off and on, the user is encouraged to try to correct the interference by one or more of the following measures:

- Reorient or relocate the receiving antenna.
- Increase the separation between the equipment and receiver.
- Connect the equipment into an outlet on a circuit different from that to which the receiver is connected.
- Consult the dealer or an experienced radio/TV technician for help.

This device complies with Industry Canada's license-exempt RSS standard(s). Operation is subject to the following two conditions: (1) this device may not cause interference, and (2) this device must accept any interference, including interference that may cause undesired operation of the device.

The term "IC:" before the radio certification number only signifies that Industry Canada technical specifications were met.

Canadian Department of Communications Compliance Statement:
Firmware Update Dongle - DOC: CAN ICES-3(B)/NMB-3(B) C

Le présent appareil est conforme aux CNR d'Industrie Canada applicables aux appareils radio exempts de licence. L'exploitation est autorisée aux deux conditions suivantes : (1) l'appareil ne doit pas produire de brouillage, et (2) l'utilisateur de l'appareil doit accepter tout brouillage radioélectrique subi, même si le brouillage est susceptible d'en compromettre le fonctionnement.

Warning: Any changes or modifications not expressly approved by SRAM could void the user's authority to operate this equipment.

This product is ANT+ certified and complies with the bicycle power ANT+ Device Profile. For a complete listing of ANT+ Certified Products and their specific interoperability, please visit www.thisisant.com.

SRAM LLC WORLD HEADQUARTERS
1000 W. Fulton Market, 4th Floor
Chicago, Illinois 60607
USA

Left Shifter
Model#:00001
FCC ID: C90-LSBED
IC: 10161A-LSBED

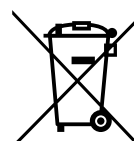
Right Shifter
Model#:00101
FCC ID: C90-RSBED
IC: 10161A-RSBED

BlipBox
Model#:00201
FCC ID: C90-BOXED
IC: 10161A-BOXED

Firmware Update Dongle
Model#:12701
FCC ID: C90-LINKED
IC: 10161A-LINKED

Front Derailleur
Model#:12801
FCC ID: C90-FDED
IC: 10161A-FDED

Rear Derailleur
Model#:12901
FCC ID: C90-RDED
IC: 10161A-RDED



Rechargeable Lithium-ion Polymer Battery Model: 25401

Cell Type	300mAh/3.7V
Pack Configuration	2S1P
Nominal Voltage	7.4 DC
EOD Voltage	6.0V DC
Nominal Capacity	300mAh
Minimum Capacity	290mAh
(at 0.2C discharge rate 3.0v cut off after standard charge)	
Average Working Voltage	7.4V at 0.2C rate
Fast Charge	Constant current 1.0C
Constant Voltage	8.4V
Operating Temperature Range	
Standard Charge	32° to 114°F / 0° to 45°C
Discharge	-4° to 140°F / -20° to 60°C
Weight of Battery Approx	6.5 g
Cell Dimension	
Length	Max.30.0mm
Width	Max. 19.0mm
Thickness Max.	Thickness: Max. 6.0mm
Storage at 50% SOC and specified temp, recoverable capacities in % vs. time.	
-20° to 25°C (12 months, 85%)	25° to 45°C (3 months, 80%)
60° to 70°C (1 hour, 85%)	70° to 85°C (1 hour, 80%)

Battery Charger Model: 25301

The charger is designed to meet EMI safety standards for use in information technology equipment.

Rated Input Voltage	5V DC
Maximum Rated Output Voltage	8.4V
Operating Temperature Range	32°F to 104°F / 0°C to 40°C
Non-operating Temperature Range	50° to 140°F / 10°C to 60°
Relative Humidity for Operating and Non-operating	10% to 80%

Replacable Lithium Coin Cell Battery CR2032

Consult the battery manufacturer's instructions for technical information.

SRAM[®]

www.sram.com

“We will revolutionize the relationship that our users have with SRAM products, cultivating a bond between the rider and bicycle. Our technical communication will be delivered in innovative and exciting ways, with deliberation and accuracy that inspires loyalty and trust across the globe.”

-SRAM TechCom Vision Statement



ASIAN HEADQUARTERS
SRAM Taiwan
No. 1598-8 Chung Shan Road
Shen Kang Hsiang, Taichung City
Taiwan R.O.C.

WORLD HEADQUARTERS
SRAM LLC
1000 W. Fulton Market, 4th Floor
Chicago, Illinois 60607
USA

EUROPEAN HEADQUARTERS
SRAM Europe
Paasbosweg 14-16
3862ZS Nijkerk
The Netherlands