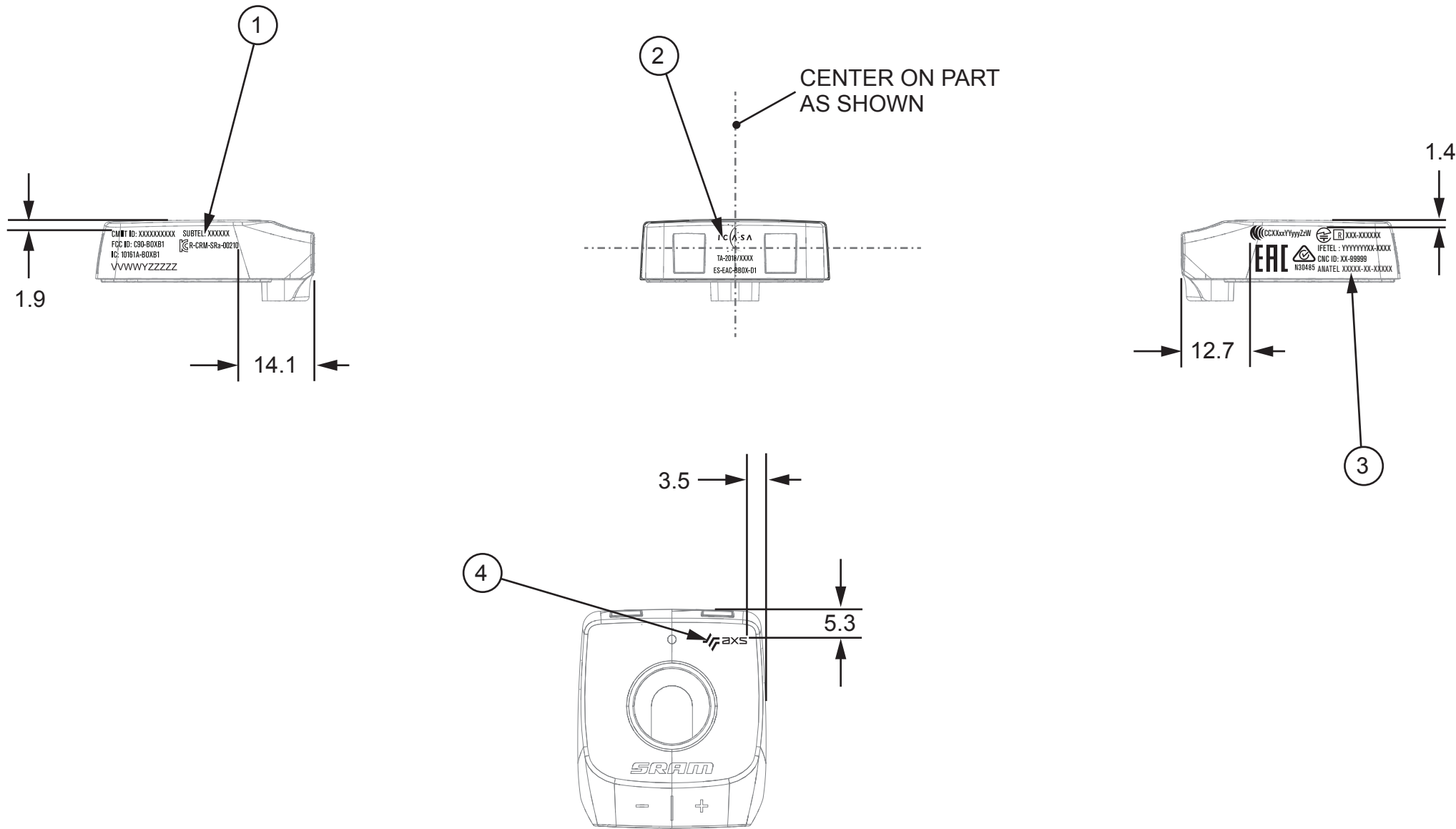


REV	RESPONSIBLE	REVISION RECORD
A	CMAY	RELEASE
B	CMAY	CHANGE: ARTWORK AND DIMENSIONS (C4) DELETE: PART VIEW (C2)
C	CMAY	CHANGE: ARTWORK (C6, C8)

100mm

NOT TO SCALE



Notes:

- Certification Font Specifications
- NAME: Berthold Akzidenz Grotesk
 - STYLE: Condense
 - WEIGH : Regular

DOCUMENT MAY NOT REPRESENT COMPLETE REQUIREMENTS. REFER TO PRODUCT STRUCTURE		
GEOMETRIC DIMENSIONING AND TOLERANCING TO BE INTERPRETED PER ASME Y 14.5-2009	FORMAT: A3	SHEET: 1/1
DO NOT SCALE DRAWING	SRAM CONFIDENTIAL - THIS DRAWING CONTAINS INFORMATION THAT IS PROPRIETARY TO SRAM CORPORATION AND MAY NOT BE DISCLOSED WITHOUT PERMISSION.	
ALL DIMENSIONS ARE mm	DRAWING NAME/DESCRIPTION ARTWORK PLACEMENT CERT BLIPBOX	
UNSPECIFIED LENGTH TOLERANCE X.X +/- 0.5	DRAWING NUMBER 90-7015-201-000	REVISION B
UNSPECIFIED ANGLE TOLERANCE +/- 2degrees		