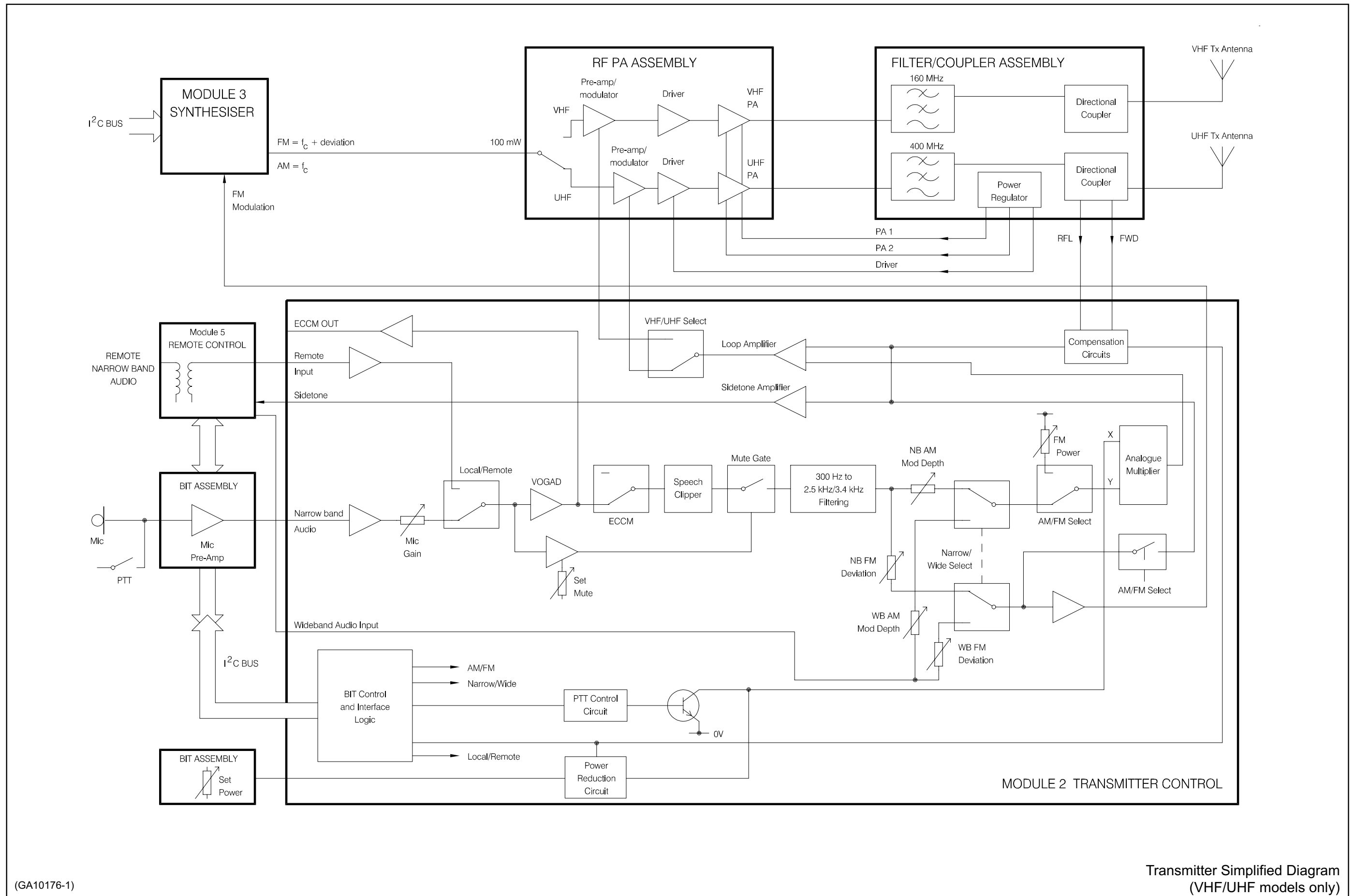


(GA10175-1)

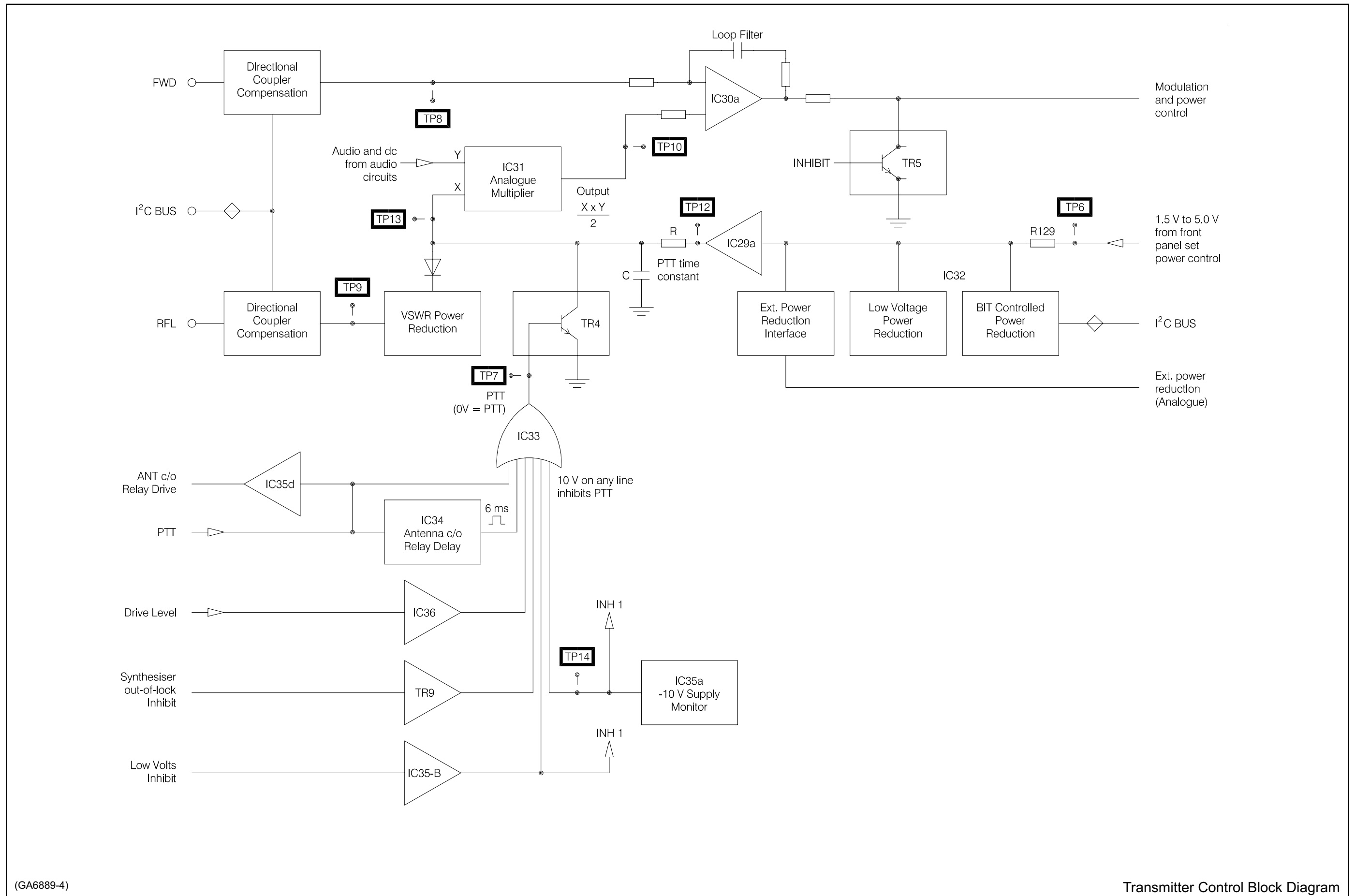
Transmitter Simplified Diagram
(VHF and UHF only models)

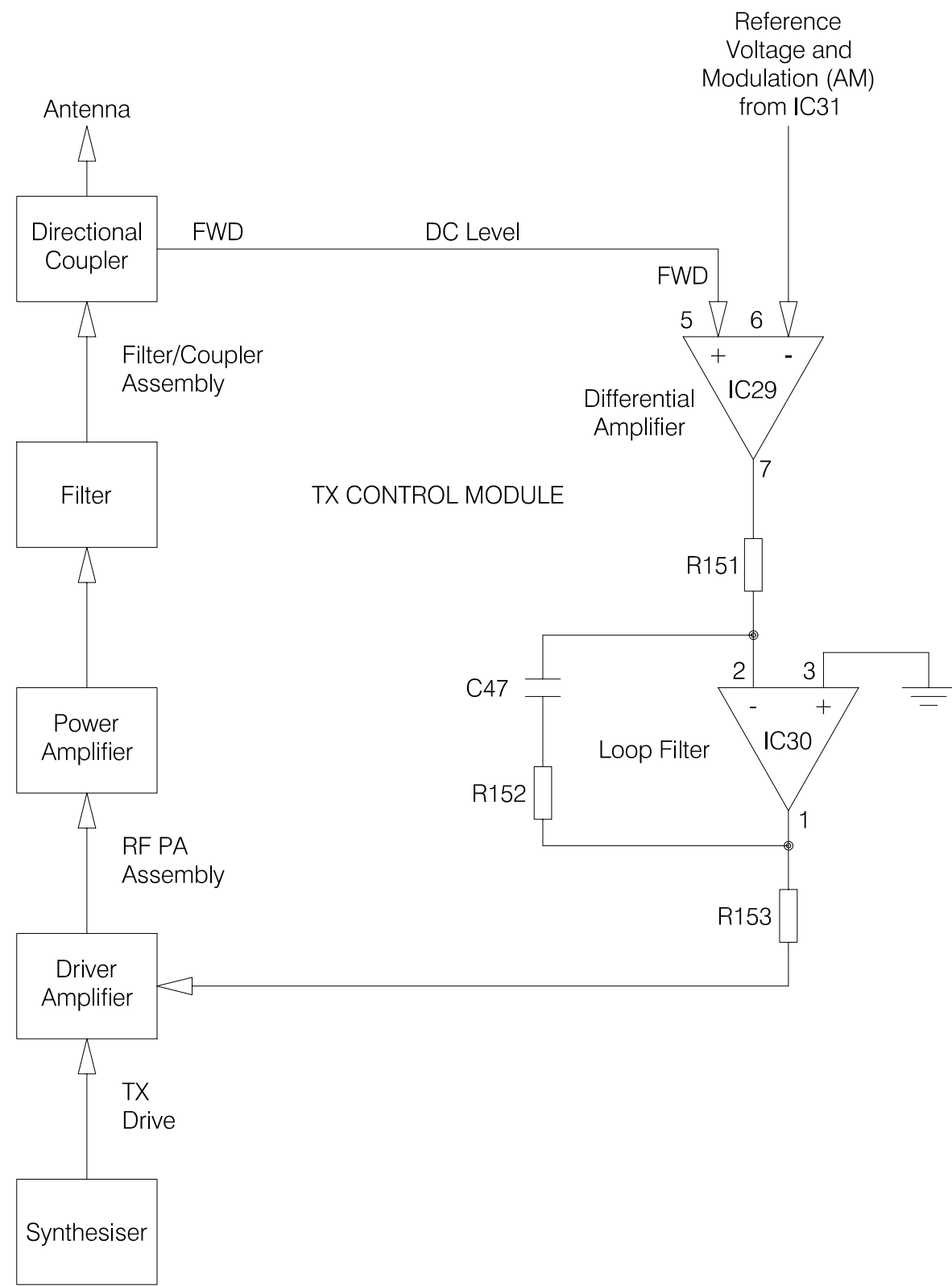
Fig. 2-3-1

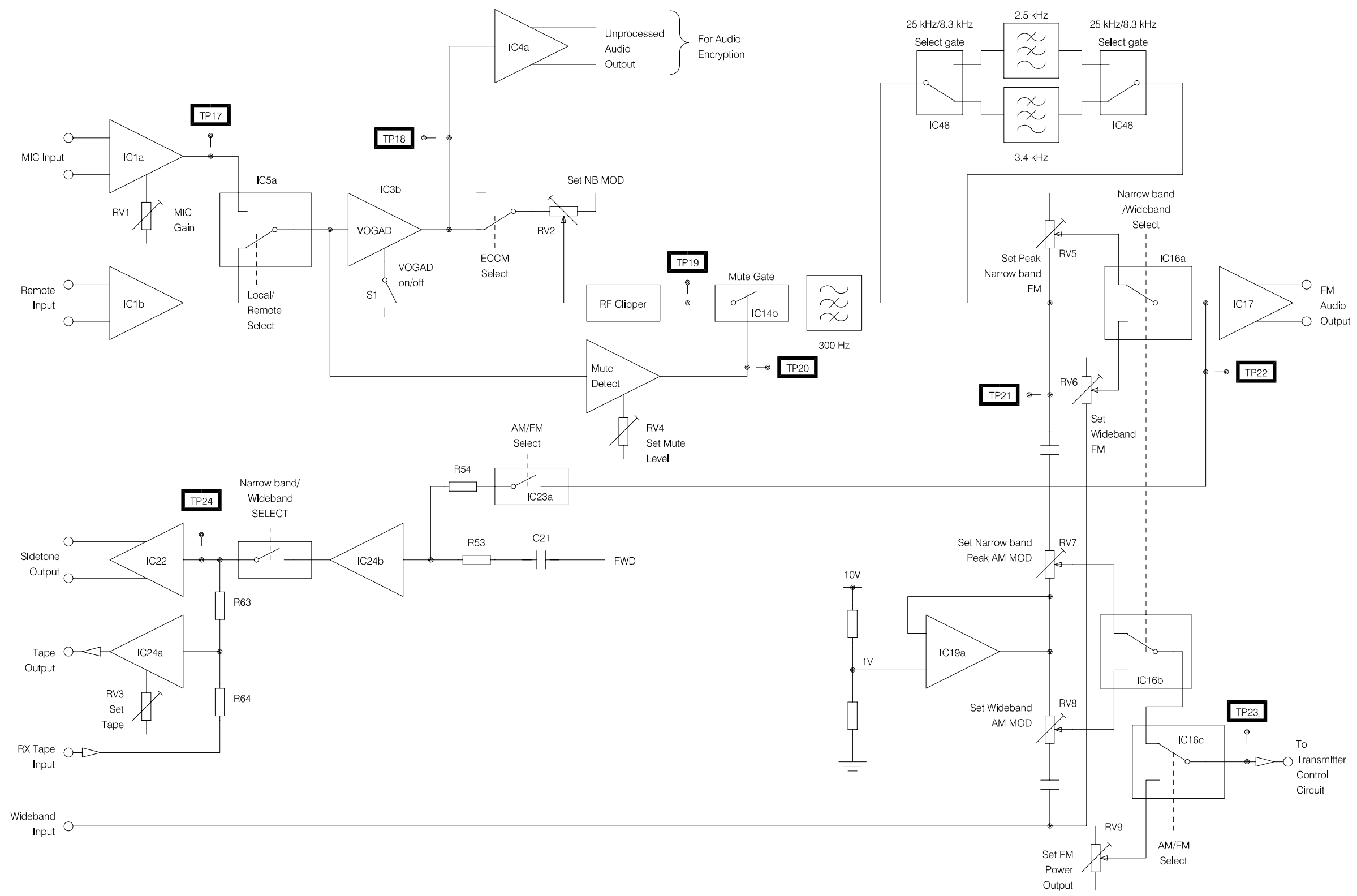


(GA10176-1)

Transmitter Simplified Diagram
(VHF/UHF models only)







(GA10177-1)

Transmitter Control Audio Processing Block Diagram

Fig. 2-3-5