

VIDEO, AUDIO CIRCUIT DIAGRAM (L) - S103W/S103A/S103N/S103S

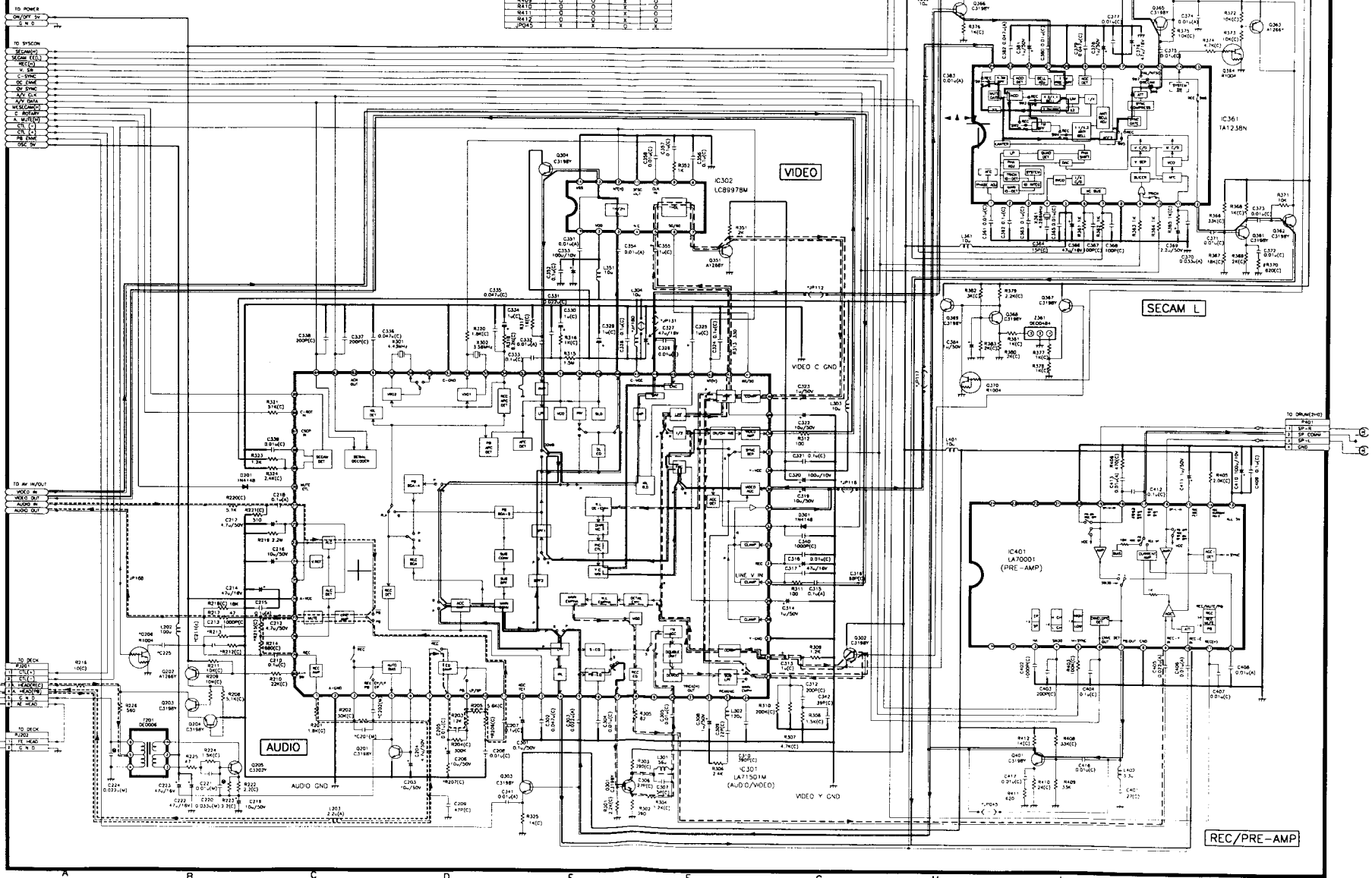
DRAWN	DESIGNED	CHECKED	APPROVED	MODEL	DV-S103W
SHIN JAE SUNG	SHIN JAE SUNG	PARK DUCK CHAN	MIN SONG KI	FILE NAME	S103W-V
				ISSUED DATE	99.03.12
				REVISED	
DESIGNER	VCR DEPT	2 TEAM	REV NO.	02 SHEET	/
DAEWOO ELECTRONICS VCR RESEARCH CENTER					- / -

	S103W	S103A	S103N	S103S
2001	1	1	1	1
2002	1	1	1	1
2003	1	1	1	1
2004	1	1	1	1
2005	1	1	1	1
2006	1	1	1	1
2007	1	1	1	1
2008	1	1	1	1
2009	1	1	1	1
2010	1	1	1	1
2011	1	1	1	1
2012	1	1	1	1
2013	1	1	1	1
2014	1	1	1	1
2015	1	1	1	1
2016	1	1	1	1
2017	1	1	1	1
2018	1	1	1	1
2019	1	1	1	1
2020	1	1	1	1
2021	1	1	1	1
2022	1	1	1	1
2023	1	1	1	1
2024	1	1	1	1
2025	1	1	1	1
2026	1	1	1	1
2027	1	1	1	1
2028	1	1	1	1
2029	1	1	1	1
2030	1	1	1	1
2031	1	1	1	1
2032	1	1	1	1
2033	1	1	1	1
2034	1	1	1	1
2035	1	1	1	1
2036	1	1	1	1
2037	1	1	1	1
2038	1	1	1	1
2039	1	1	1	1
2040	1	1	1	1
2041	1	1	1	1
2042	1	1	1	1
2043	1	1	1	1
2044	1	1	1	1
2045	1	1	1	1
2046	1	1	1	1
2047	1	1	1	1
2048	1	1	1	1
2049	1	1	1	1
2050	1	1	1	1

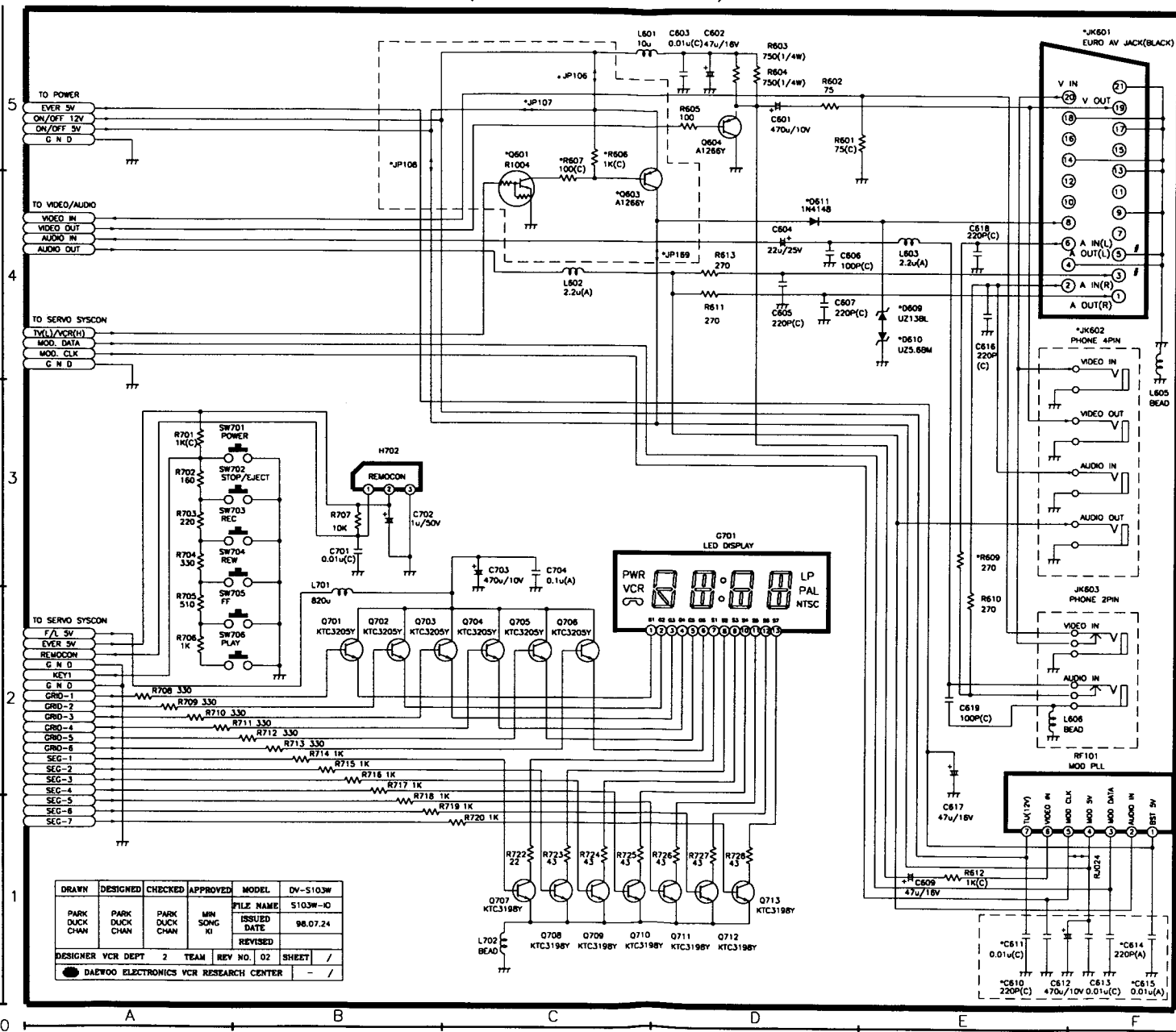
	S103W	S103A	S103N	S103S
2001	1	1	1	1
2002	1	1	1	1
2003	1	1	1	1
2004	1	1	1	1
2005	1	1	1	1
2006	1	1	1	1
2007	1	1	1	1
2008	1	1	1	1
2009	1	1	1	1
2010	1	1	1	1
2011	1	1	1	1
2012	1	1	1	1
2013	1	1	1	1
2014	1	1	1	1
2015	1	1	1	1
2016	1	1	1	1
2017	1	1	1	1
2018	1	1	1	1
2019	1	1	1	1
2020	1	1	1	1
2021	1	1	1	1
2022	1	1	1	1
2023	1	1	1	1
2024	1	1	1	1
2025	1	1	1	1
2026	1	1	1	1
2027	1	1	1	1
2028	1	1	1	1
2029	1	1	1	1
2030	1	1	1	1
2031	1	1	1	1
2032	1	1	1	1
2033	1	1	1	1
2034	1	1	1	1
2035	1	1	1	1
2036	1	1	1	1
2037	1	1	1	1
2038	1	1	1	1
2039	1	1	1	1
2040	1	1	1	1
2041	1	1	1	1
2042	1	1	1	1
2043	1	1	1	1
2044	1	1	1	1
2045	1	1	1	1
2046	1	1	1	1
2047	1	1	1	1
2048	1	1	1	1
2049	1	1	1	1
2050	1	1	1	1

	S103W	S103A	S103N	S103S
2001	1	1	1	1
2002	1	1	1	1
2003	1	1	1	1
2004	1	1	1	1
2005	1	1	1	1
2006	1	1	1	1
2007	1	1	1	1
2008	1	1	1	1
2009	1	1	1	1
2010	1	1	1	1
2011	1	1	1	1
2012	1	1	1	1
2013	1	1	1	1
2014	1	1	1	1
2015	1	1	1	1
2016	1	1	1	1
2017	1	1	1	1
2018	1	1	1	1
2019	1	1	1	1
2020	1	1	1	1
2021	1	1	1	1
2022	1	1	1	1
2023	1	1	1	1
2024	1	1	1	1
2025	1	1	1	1
2026	1	1	1	1
2027	1	1	1	1
2028	1	1	1	1
2029	1	1	1	1
2030	1	1	1	1
2031	1	1	1	1
2032	1	1	1	1
2033	1	1	1	1
2034	1	1	1	1
2035	1	1	1	1
2036	1	1	1	1
2037	1	1	1	1
2038	1	1	1	1
2039	1	1	1	1
2040	1	1	1	1
2041	1	1	1	1
2042	1	1	1	1
2043	1	1	1	1
2044	1	1	1	1
2045	1	1	1	1
2046	1	1	1	1
2047	1	1	1	1
2048	1	1	1	1
2049	1	1	1	1
2050	1	1	1	1

--- PB C --- REC Y
 --- PB Y --- REC V
 --- PB V --- REC C
 --- PB AUDIO --- REC AUDIO



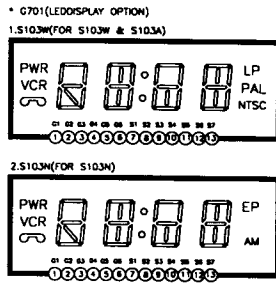
AV IN/OUT CIRCUIT(DV-S103W)



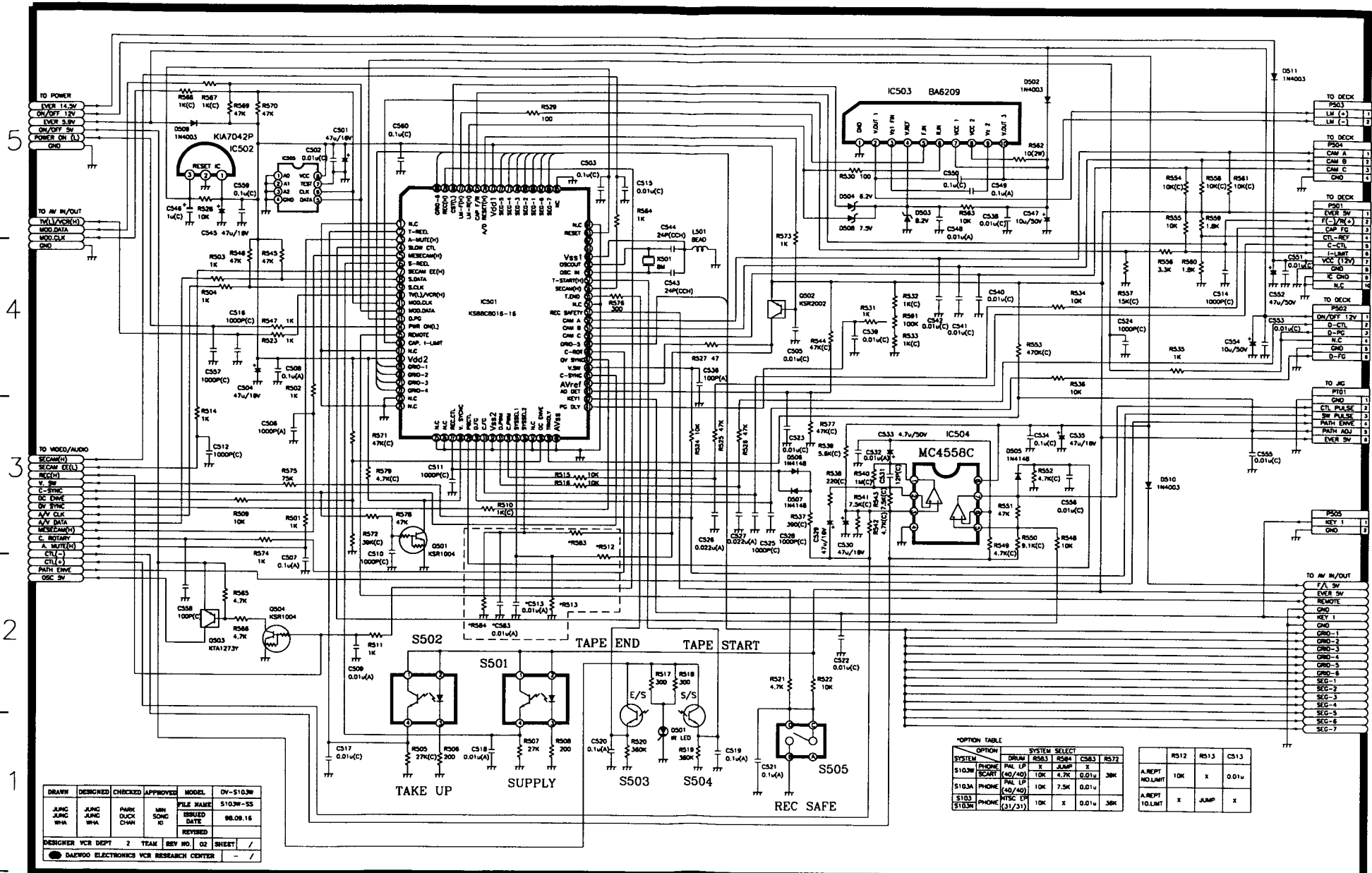
DRAWN	DESIGNED	CHECKED	APPROVED	MODEL	DV-S103W
PARK DUCK CHAN	PARK DUCK CHAN	PARK DUCK CHAN	MIN SONG KI	FILE NAME	S103W-10
				ISSUED DATE	98.07.24
				REVISED	
DESIGNER	VCR DEPT	2	TEAM	REV NO.	02
				SHEET	/
DAEWOO ELECTRONICS VCR RESEARCH CENTER					

* SYSTEM OPTION TABLE

LOCATION	EUROPE PHONE	EUROPE SCART	NTSC
JP106	X	O	X
JP107	X	X	O
JP108	X	X	O
JP109	X	X	O
JP108	O	O	X
D609	X	O	X
D610	X	O	X
D611	X	O	X
Q601	X	O	O
Q603	X	O	O
R606	X	O	O
R607	X	O	O
R609	X	O	X
JK601	X	O	X
JK602	O	X	O
RF101	PAL	PAL	NTSC
C614	O	O	X
C615	O	O	X
RJ024	X	X	O
G701	S103W	S103W	S103W



SERVO SYSTEM CIRCUIT DIAGRAM (DV-S103W)



DRAWN	DESIGNED	CHECKED	APPROVED	MODEL	DV-S103W
JUNG	JUNG	PARK	MIN	FILE NAME	S103W-SS
JUNG	JUNG	CHUN	SUNG	ISSUED DATE	98.09.16
WHA	WHA	CHUN	IKI	REVISED	
DESIGNER VCR DEPT 2 TEAM REV NO. 02 SHEET /					
DAEWOO ELECTRONICS VCR RESEARCH CENTER					

SYSTEM	OPTION	DRUM	FRS3	ESM1	CS83	RS72	RS12	RS13	CS13
S102W	PHONE SCART	PA1 LP (40/40)	X	JUMP X	X	38K			
S103A	PHONE	PA1 LP (40/40)	X			7.5K	X		
S103	PHONE	NTSC E3 (31/31)	X				X		
S103W	PHONE	NTSC E3 (31/31)	X					X	X

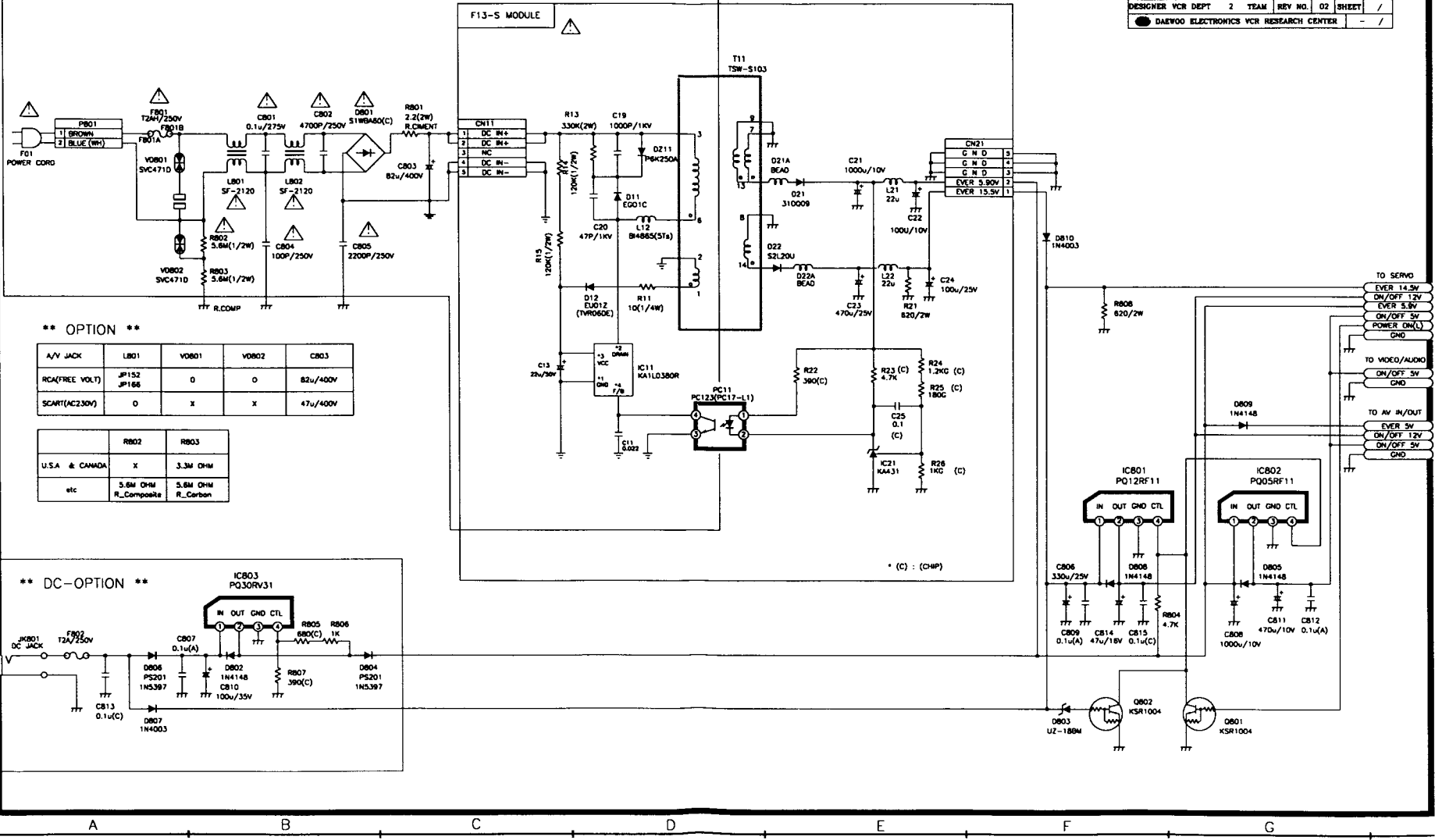
A B C D E F G H

POWER CIRCUIT(DV-S103W)

DRAWN	DESIGNED	CHECKED	APPROVED	MODEL	DV-S103W
JUNG JUNG WHA	LEE DONG WON	PARK DUCK CHAN	MIN SONG KI	FILE NAME	S103W--P
				ISSUED DATE	99.03.23
				REVISED	
DESIGNER	VCR DEPT	2	TEAM	REV NO.	02 SHEET /
DAEWOO ELECTRONICS VCR RESEARCH CENTER					- /

HOT CIRCUIT. BE CAREFUL AND USE A ISOLATION TRANSFORMER WHEN SERVICING.

M801
SMPS MODULE

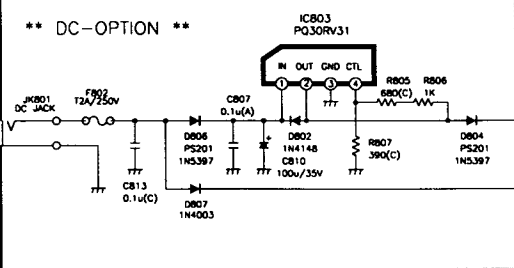


** OPTION **

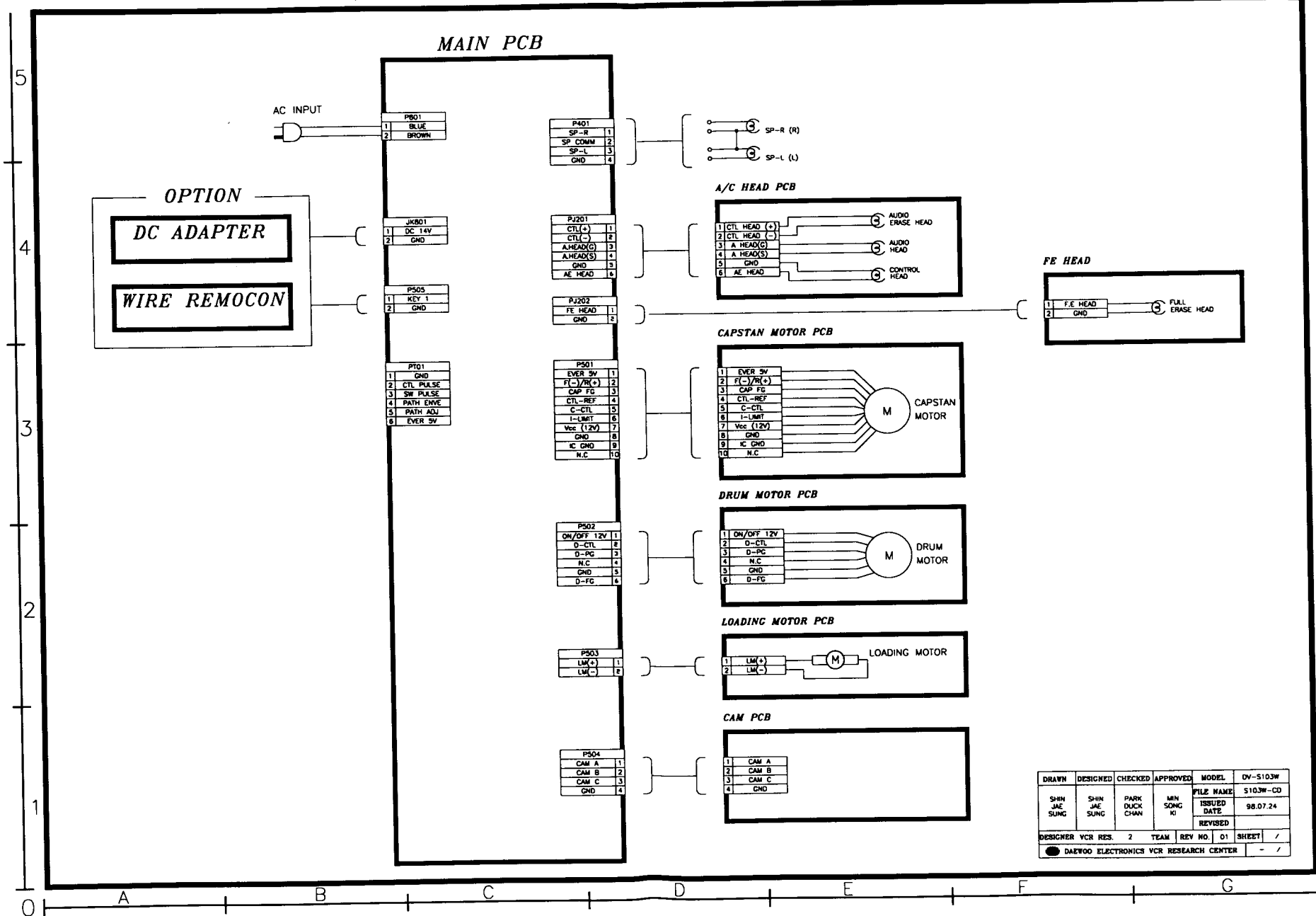
A/V JACK	LB01	V0801	V0802	C803
RCA(FREE VOLT)	JP152	O	O	82u/400V
SCART(AC230V)	O	X	X	47u/400V

	R802	R803
U.S.A & CANADA	X	3.3M OHM
etc	5.6M OHM R_Composite	5.6M OHM R_Carbon

** DC-OPTION **



CONNECTION DIAGRAM (DV-S103W/S103A/S103N)



DRAWN	DESIGNED	CHECKED	APPROVED	MODEL	DV-S103W
SHIN JAE SUNG	SHIN JAE SUNG	PARK DUCK CHAN	MIN SONG KI	FILE NAME	S103W-CD
				ISSUED DATE	98.07.24
				REVISED	
DESIGNER	VCR RES.	2	TEAM	REV NO.	01 SHEET /
DAEWOO ELECTRONICS VCR RESEARCH CENTER					- /