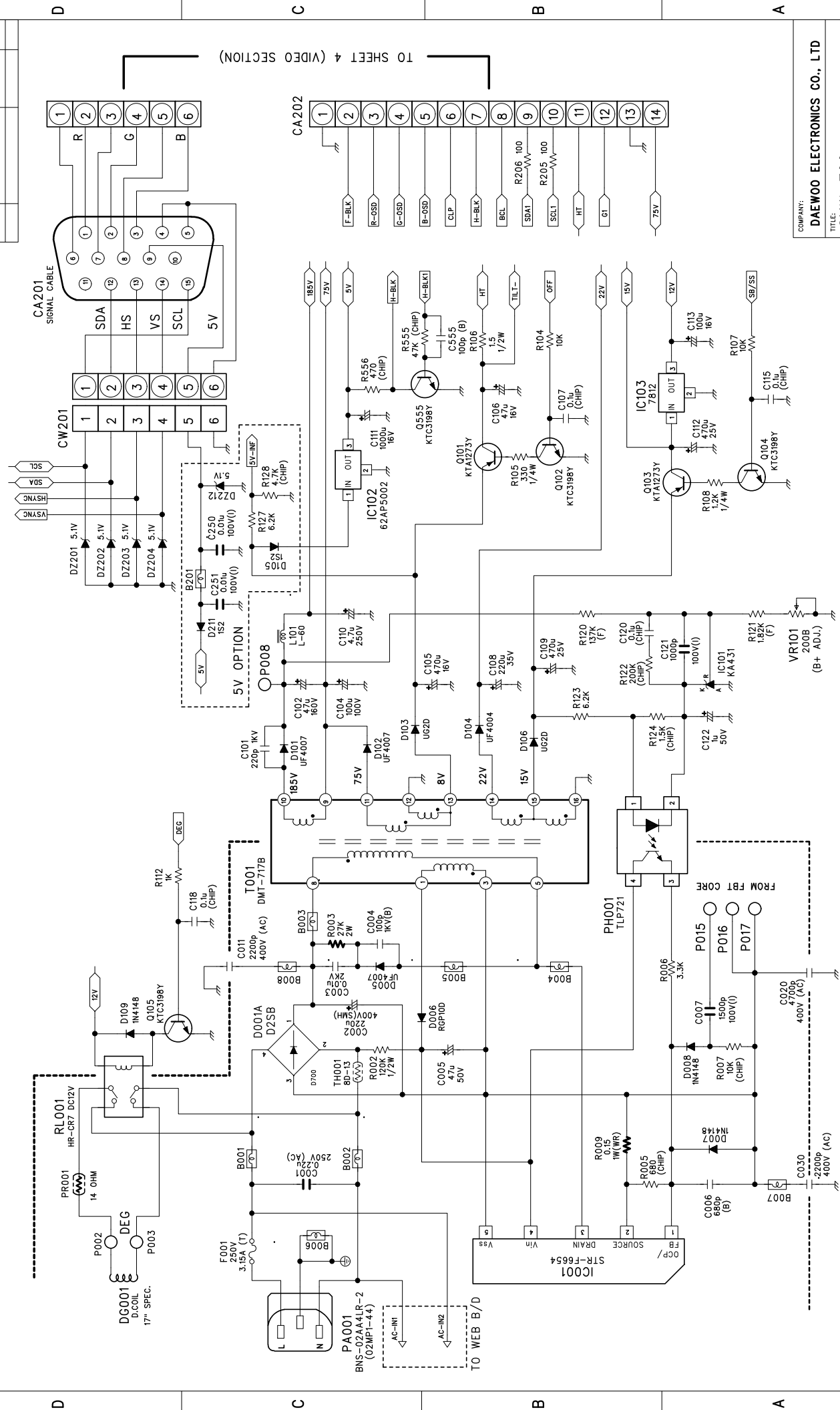


# SHEET 1 : POWER & CONNECTION SECTION



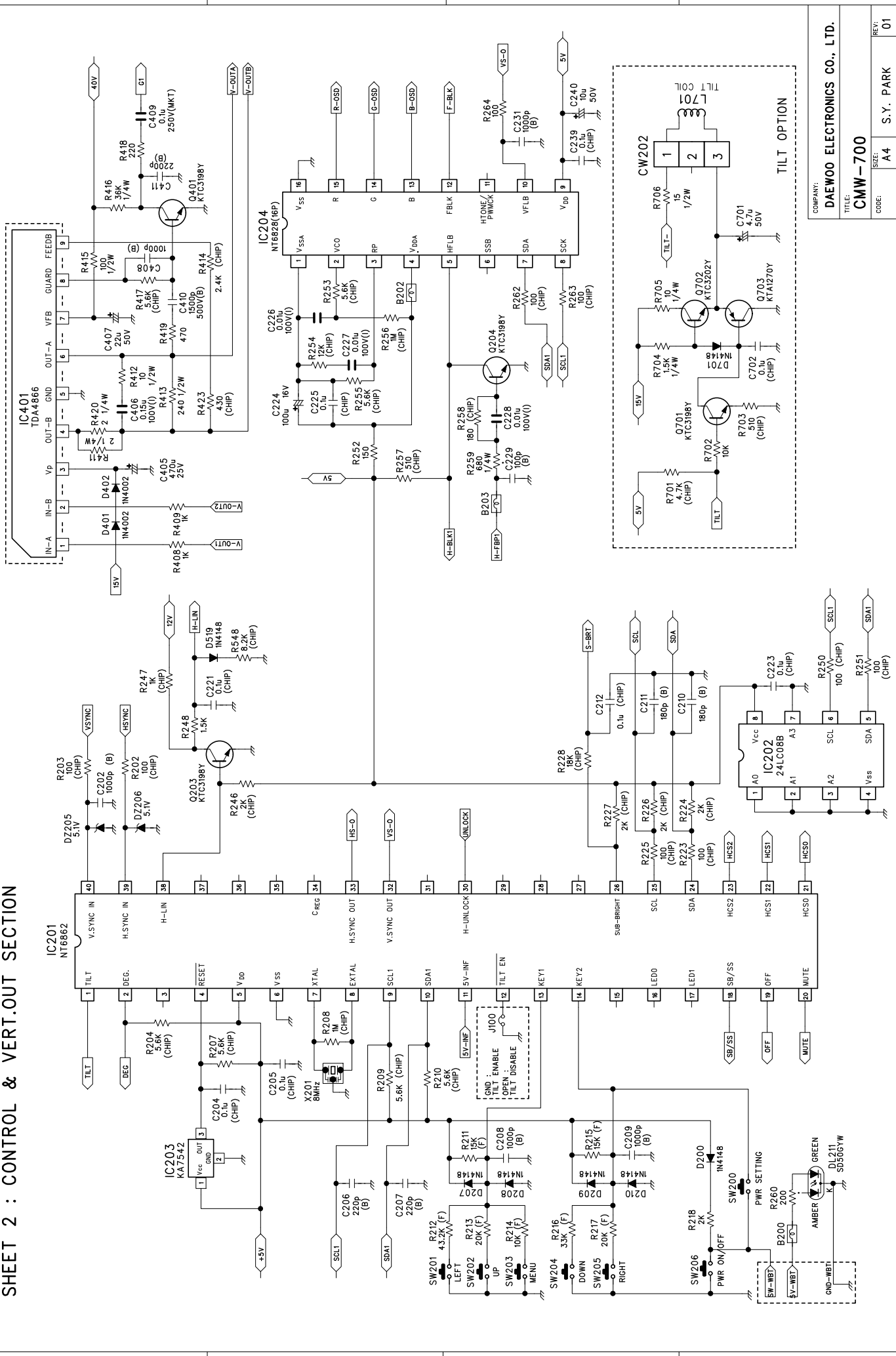
TO SHEET 4 (VIDEO SECTION)

REVISION RECORD		APPROVED:	DATE:
LTR	ECD NO.		

COMPANY:			
DAEWOO ELECTRONICS CO., LTD			
TITLE:			
CMW-700			
CODE:	SIZE:	REV.:	REV.:
	A4	S. Y. PARK	01
DATED: 2000.10.13			SHEET: 1 OF 4

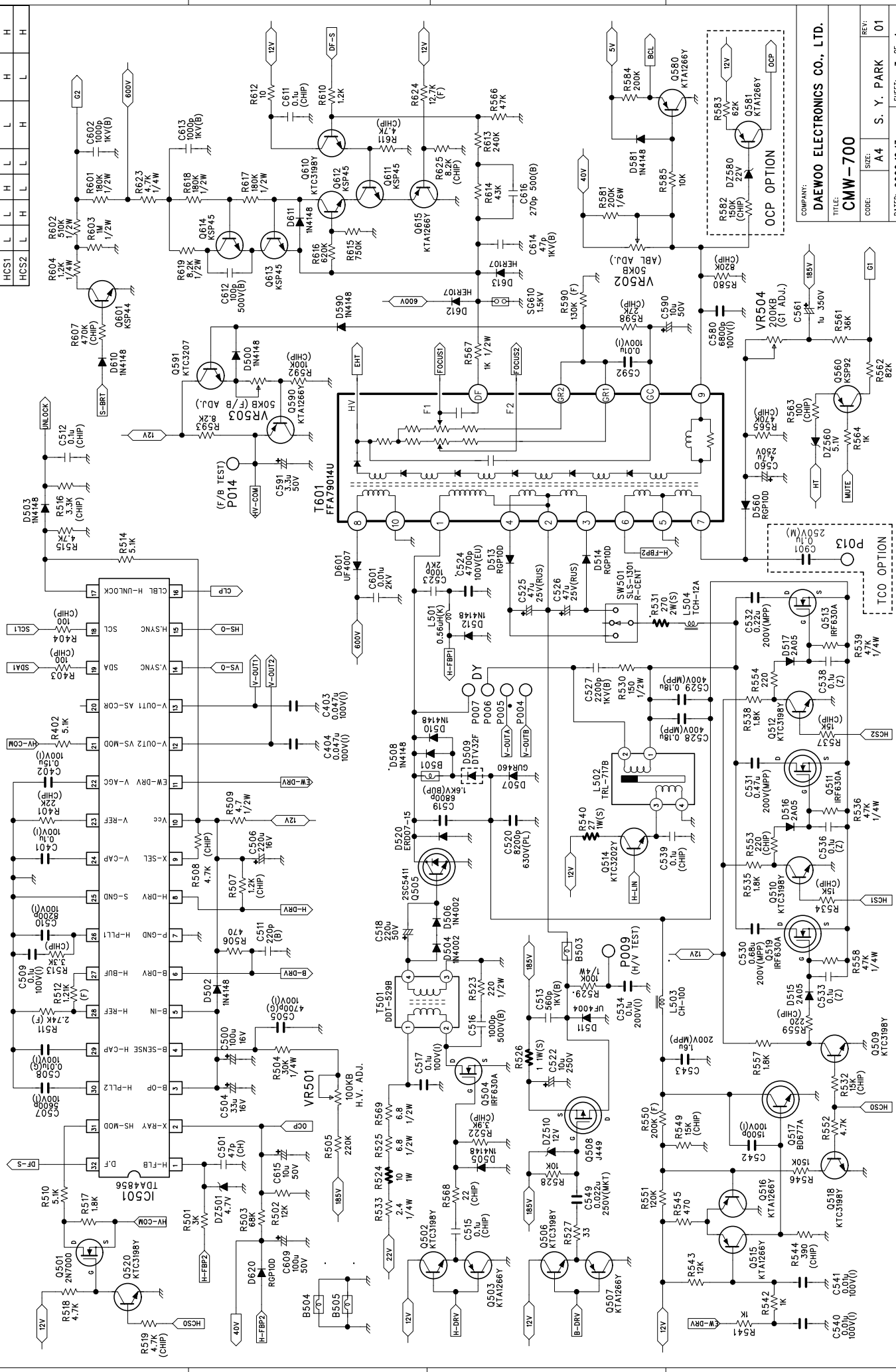
# SHEET 2 : CONTROL & VERT.OUT SECTION

6 5 4 3 2 1



COMPANY:		DAEWOO ELECTRONICS CO., LTD.	
TITLE:		CMW-700	
CODE:	SIZE:	S. Y. PARK	REV: 01
DATED:		2000.10.13	SHEET: 2 OF 4

SHEET 3 : HORIZONTAL SECTION



Cs SWITCHING TABLE

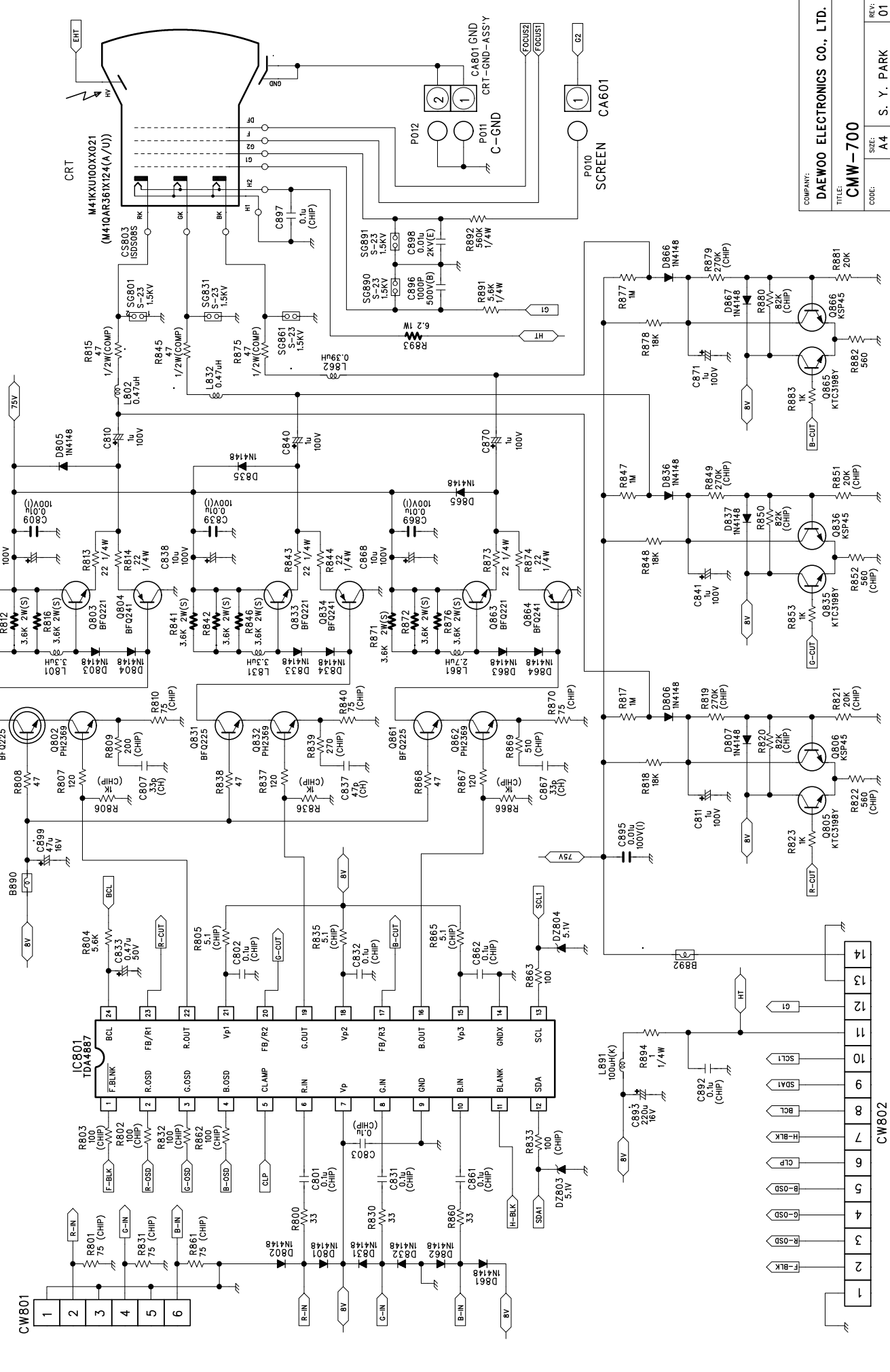
VGA	35K	38K	43K	46K	48K	54K	60K	64K	70K
HCS0	L	L	L	L	L	L	L	L	L
HCS1	L	L	L	L	L	L	L	L	L
HCS2	L	L	L	L	L	L	L	L	L

COMPANY: DAEWOO ELECTRONICS CO., LTD.  
 TITLE: CMW-700  
 CODE: A4  
 SIZE: A4  
 S. Y. PARK  
 REV: 01  
 DATED: 2000.10.13  
 SHEET: 3 OF 4

1  
2  
3  
4  
5  
6

D  
C  
B  
A  
D  
C  
B  
A

SHEET 4 : VIDEO SECTION



1  
2  
3  
4  
5  
6

D C B A

D C B A

CW802

