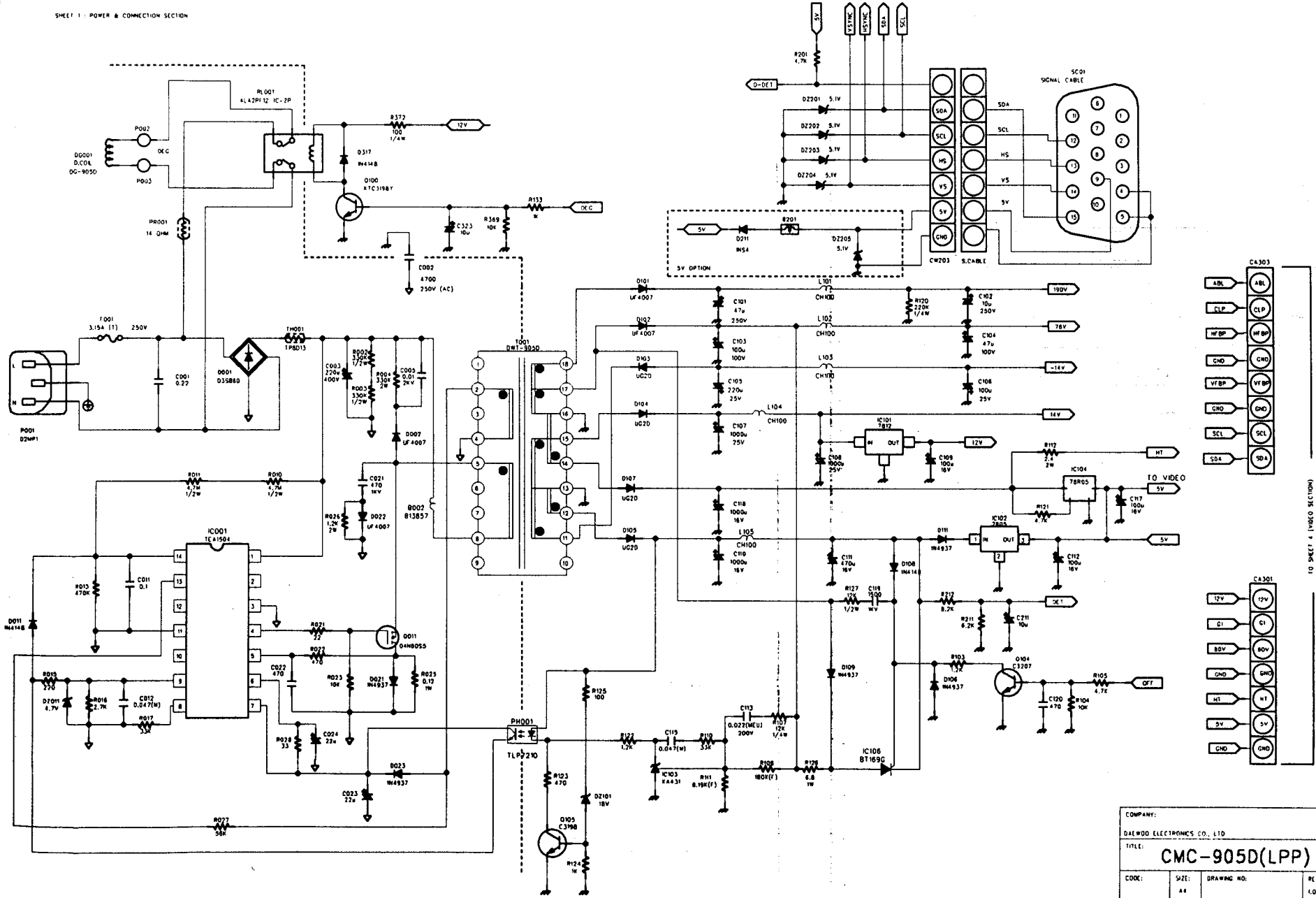
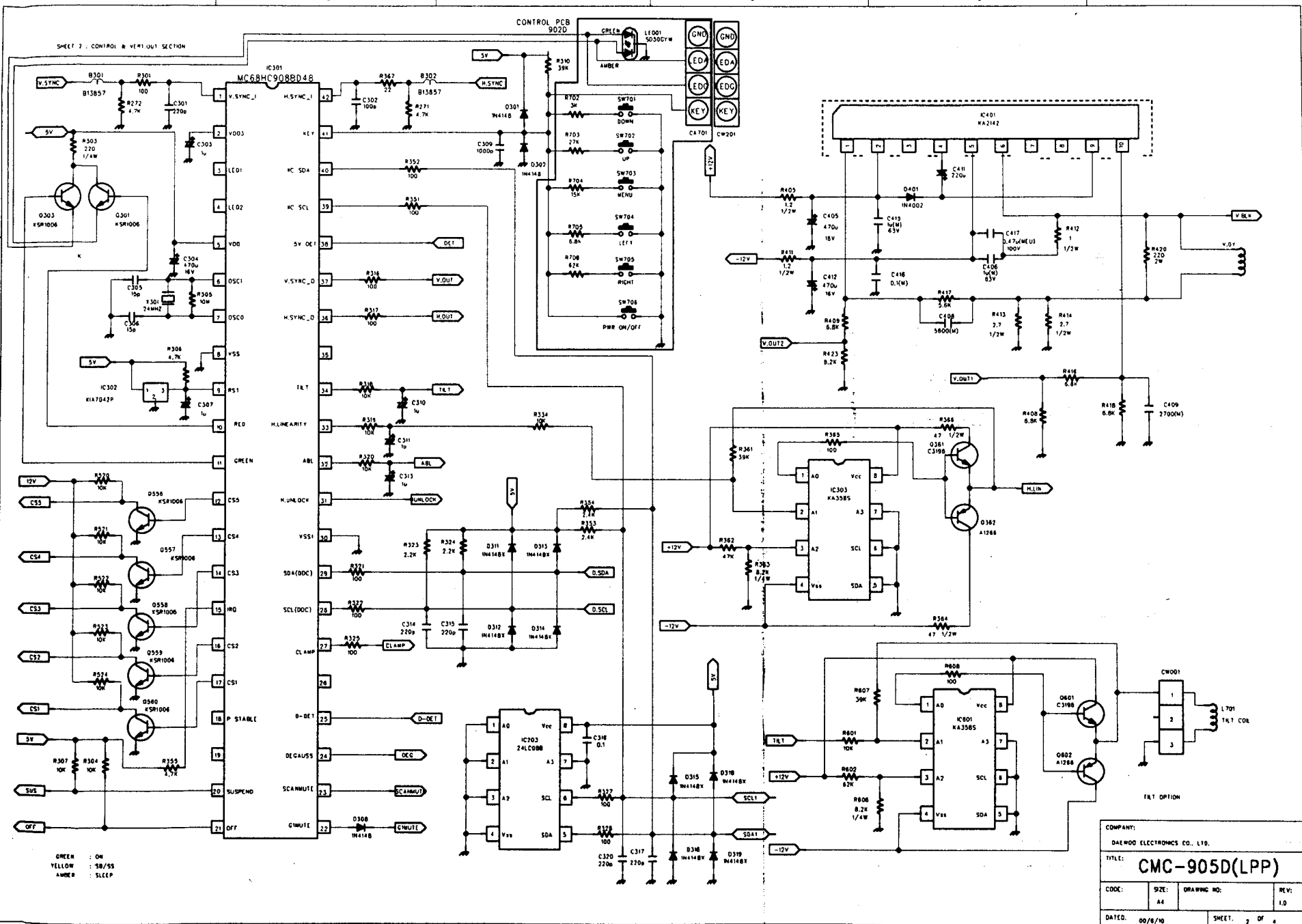


COMPANY:			
DAEWOO ELECTRONICS CO., LTD.			
TITLE:			
CMC-905D(LPP)			
CODE:	SIZE:	DRAWING NO:	REV:
	A4	99*****	I.D
DATE:		SHEET: 3 OF 4	



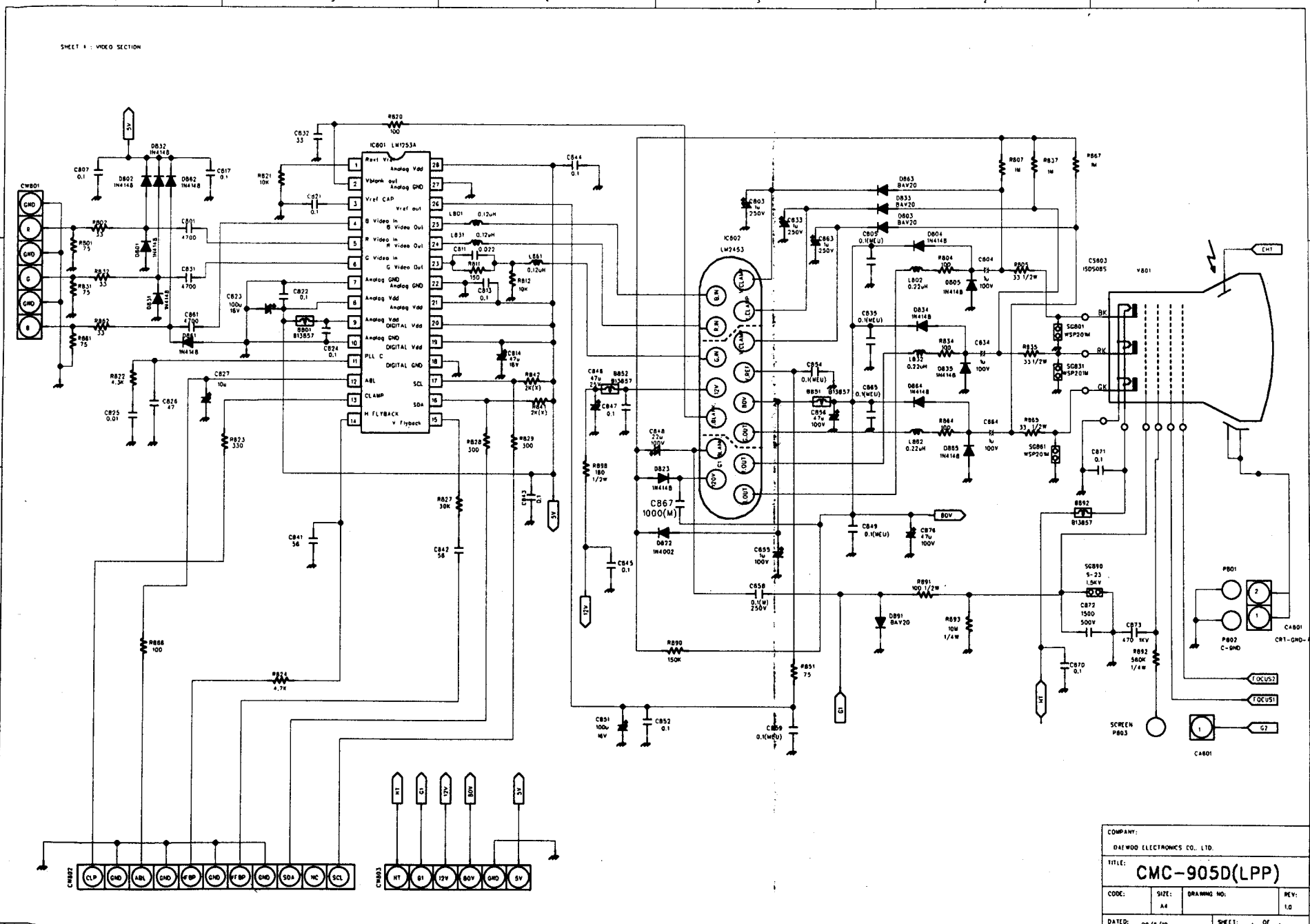
COMPANY:			
DAEWOO ELECTRONICS CO., LTD			
TITLE:			
CMC-905D(LPP)			
CODE:	SIZE:	DRAWING NO.:	REV.:
	A4		L0
DATE:	00/6/90	SHEET:	OF 4

SHEET 2 : CONTROL & VERT. OUT SECTION



COMPANY:			
DAEWOO ELECTRONICS CO., LTD.			
TITLE:			
CMC-905D(LPP)			
CODE:	SIZE:	DRAWING NO.:	REV.:
	A4		1.0
DATED:		SHEET. 2 OF 4	
00/6/10			

SHEET 1 - VIDEO SECTION



COMPANY:			
DAI WOO ELECTRONICS CO. LTD.			
TITLE:			
CMC-905D(LPP)			
CODE:	SIZE:	DRAWING NO.:	REV.:
A4			1.0
DATE: 00/8/12		SHEET: 4 OF 4	