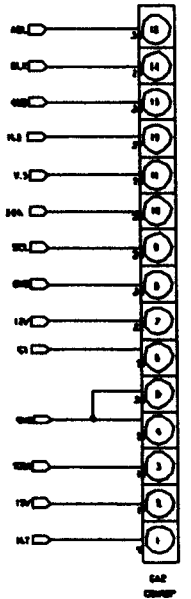
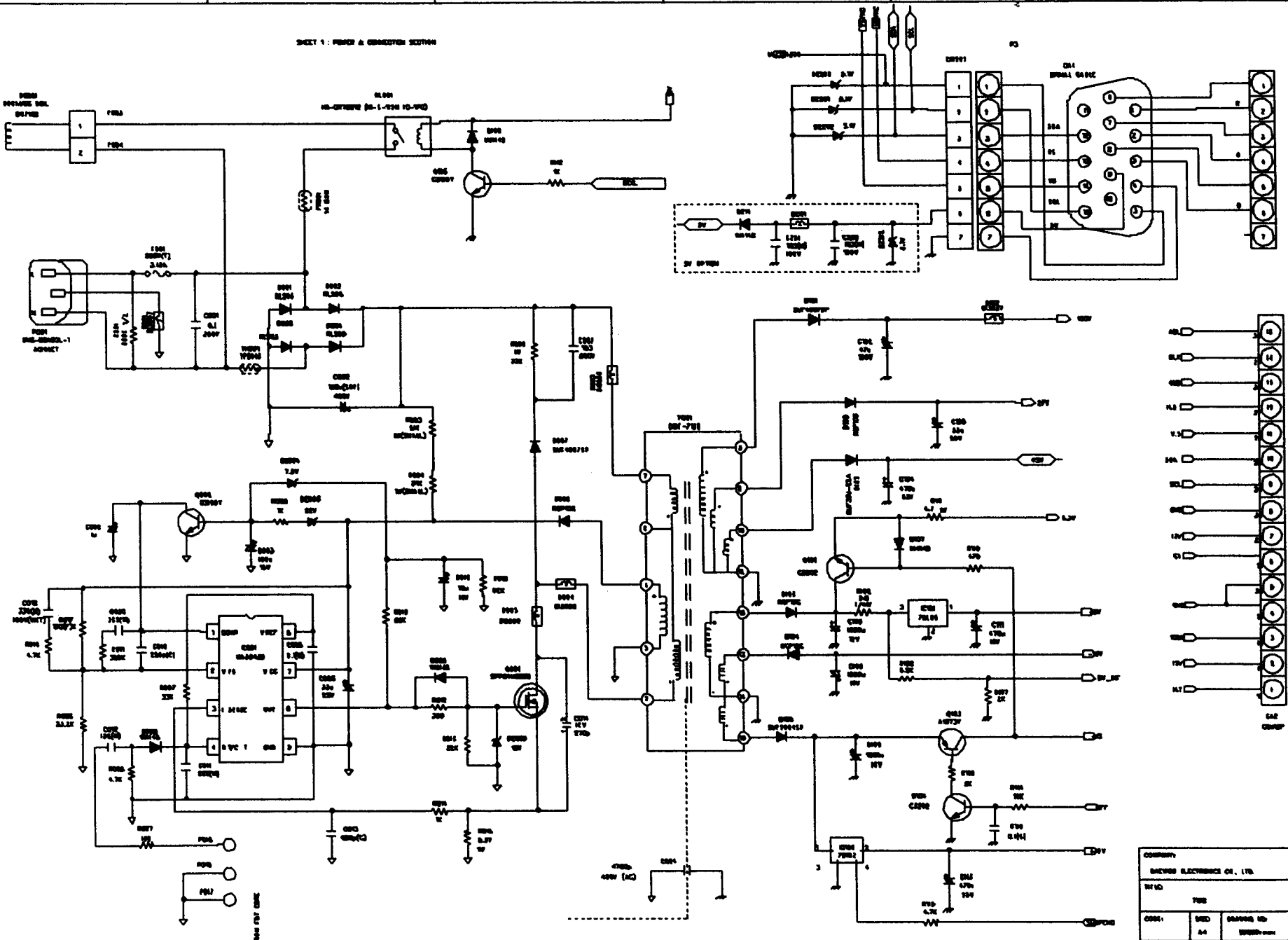


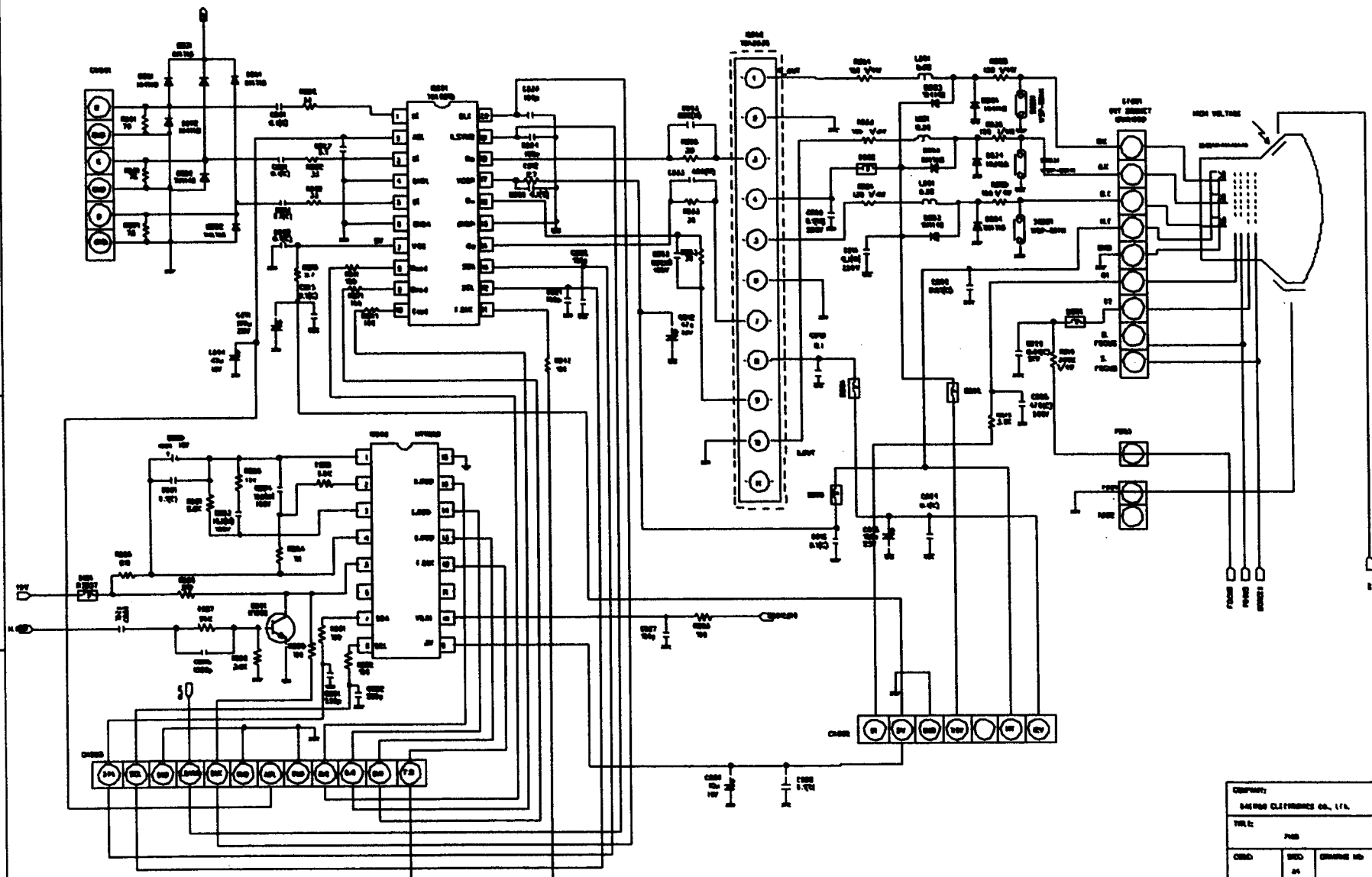
DRYER 1 - POWER & CONNECTION SECTION



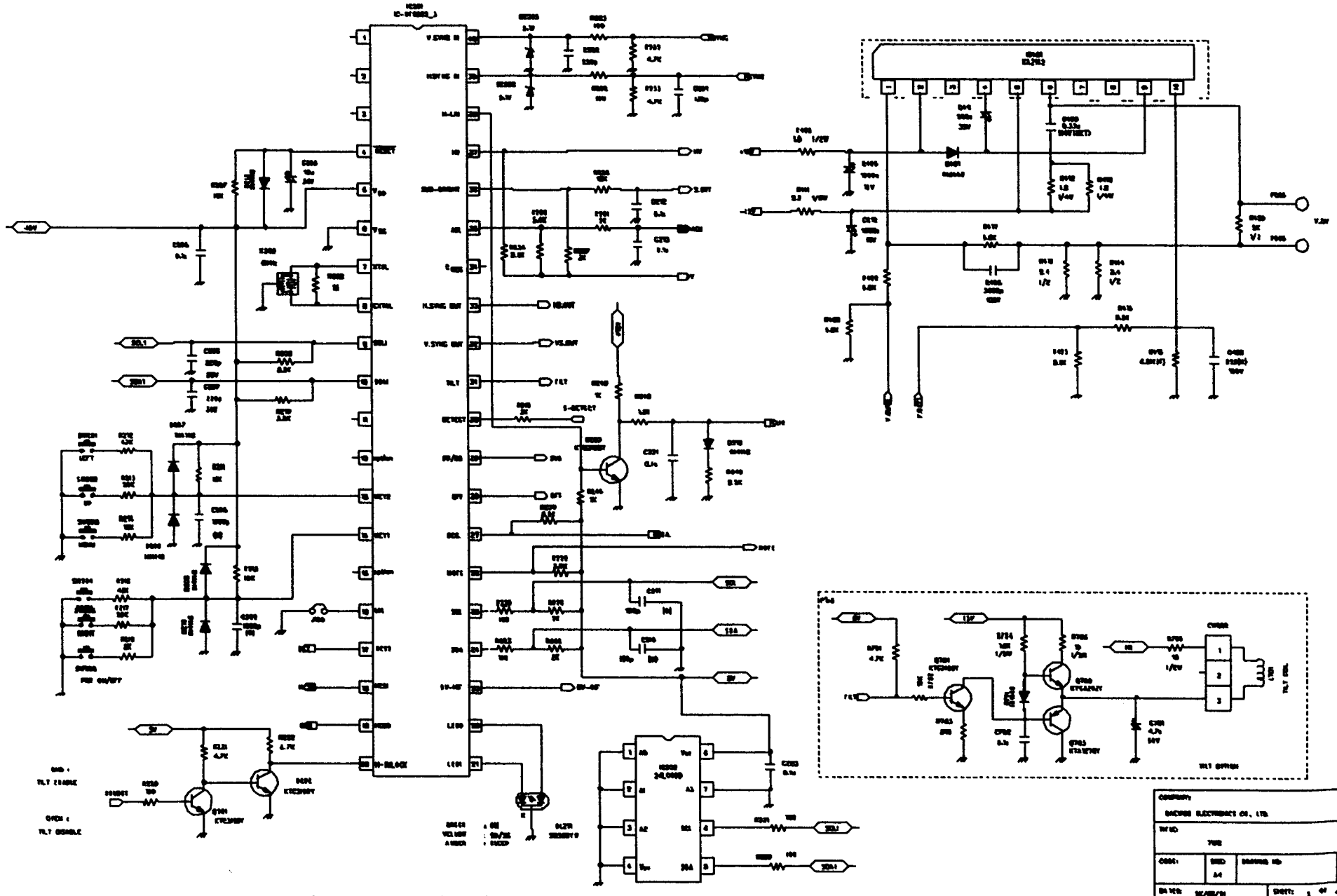
DRYER 1 - POWER & CONNECTION SECTION

COMPANY			
SHEWAN ELECTRIC CO., LTD.			
MFG NO.			
708			
CODE	REV	ISSUED BY	DATE
	A4		1.0
DRYER	1000/05/01	DRYER	1 of 4

WIRE LIST



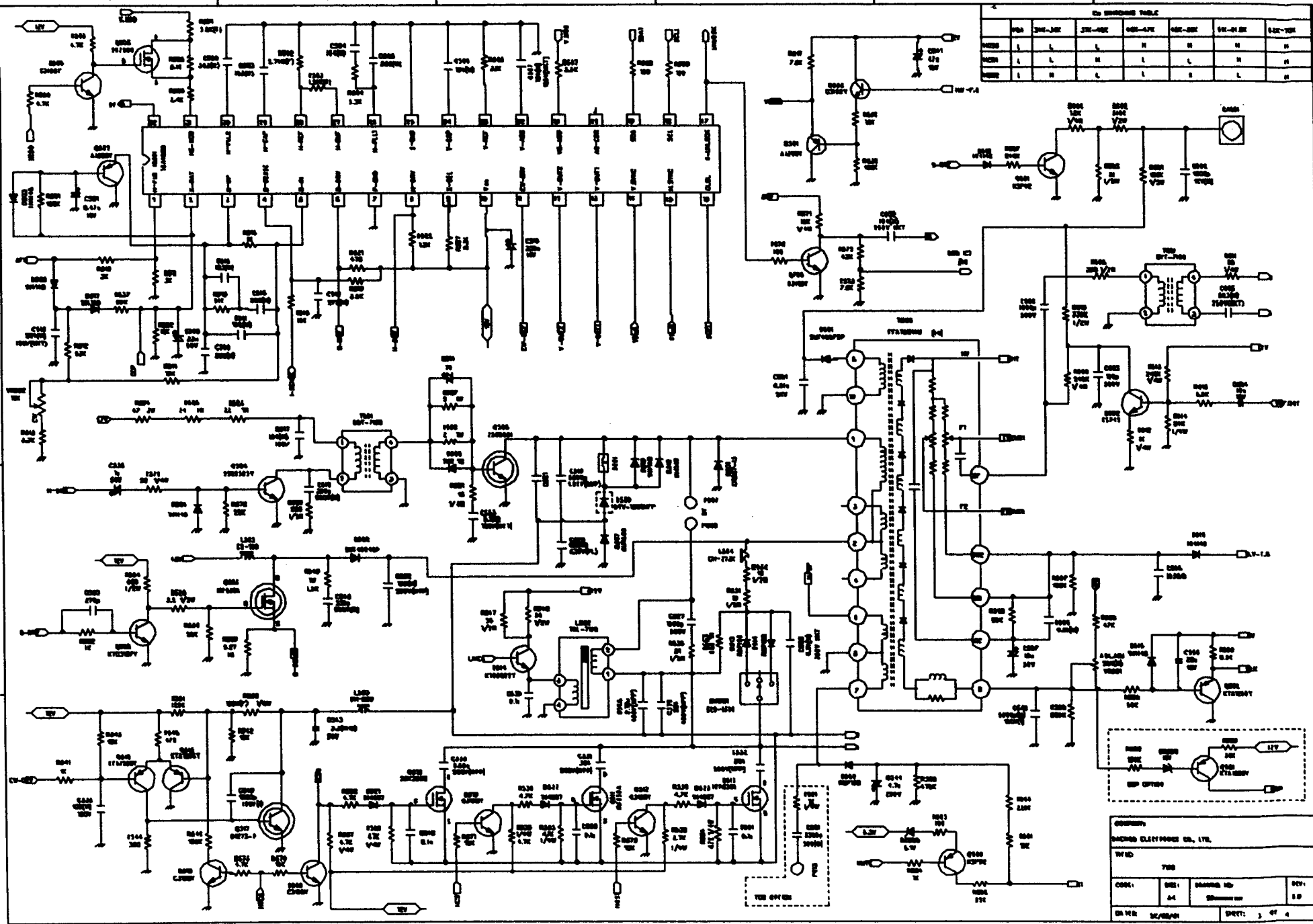
COMPANY			
SARGENT & Lundy			
TITLE			
WIRING			
DESIGNED BY	DESIGNED BY	ENGINEER	DATE
			12/20/50
DRAWN BY			SHEET
			6 OF 6



RELAY
VALVE DRIVER
LAMP

RELAY
VALVE DRIVER
LAMP

COMPANY:			
BIRCH ELECTRONICS CO., LTD.			
TITLE:			
700			
DATE:	REV:	DRAWN BY:	PCY:
	A4		LB
BY VED:	02/08/70	SHEET: 1 of 4	



BY WINDING TABLE

WINDING	NO. OF TURNS	RESISTANCE	INDUCTIVE REACTANCE	CAPACITIVE REACTANCE	IMPEDANCE
1	100	0.1	0.001	0.001	0.1
2	200	0.4	0.004	0.004	0.4
3	300	0.9	0.009	0.009	0.9
4	400	1.6	0.016	0.016	1.6
5	500	2.5	0.025	0.025	2.5
6	600	3.6	0.036	0.036	3.6
7	700	4.9	0.049	0.049	4.9
8	800	6.4	0.064	0.064	6.4
9	900	8.1	0.081	0.081	8.1
10	1000	10.0	0.100	0.100	10.0

COMPANY
MACHO ELECTRODE CO., LTD.
 TYPE
 700
 ORDER NO. 24 DRAWING NO. 100-100-100
 DATE 12/10/44 SHEET 3 OF 4