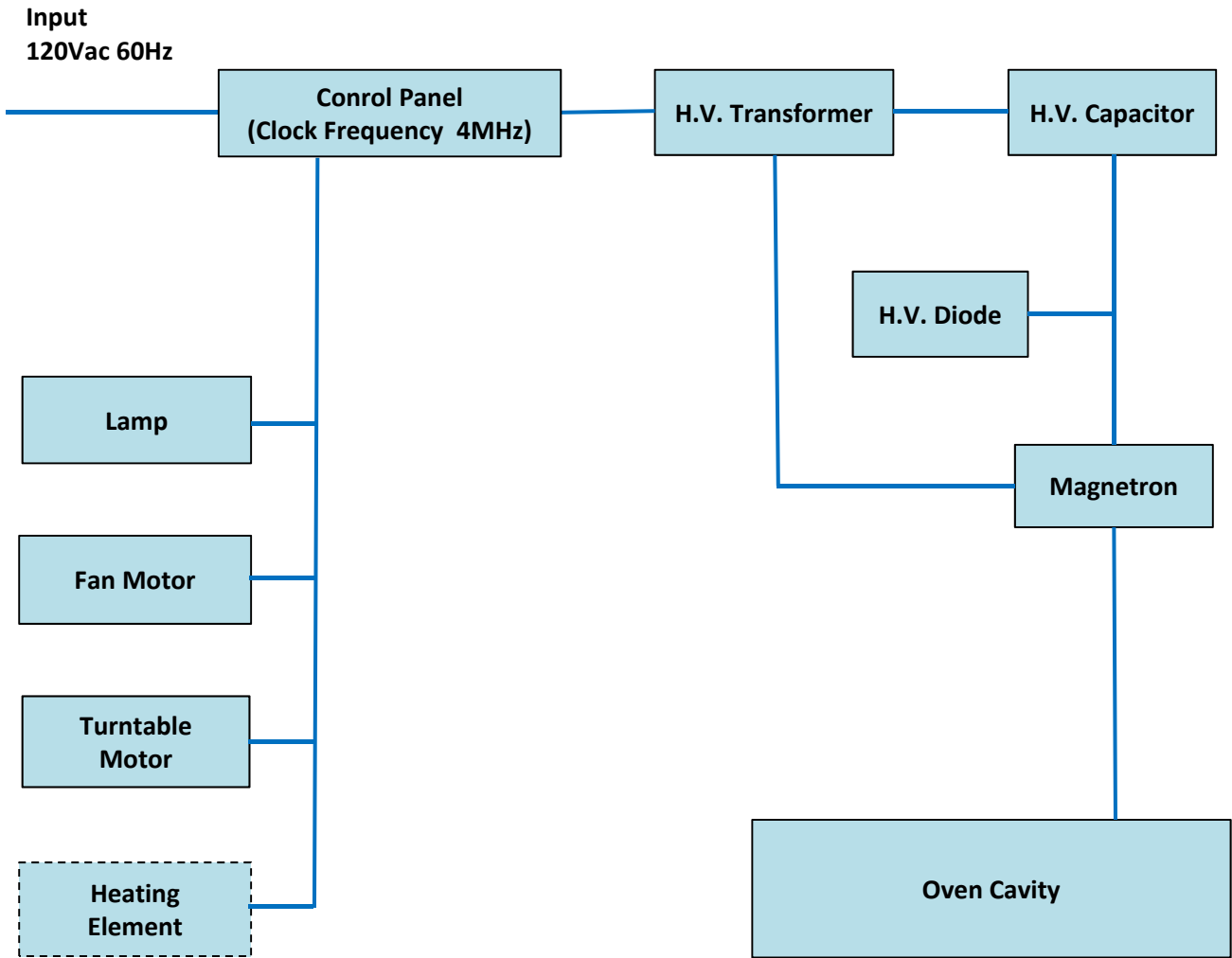


# BLOCK DIAGRAM



**Note:** Components outlined with dotted line is optional and may not be employed in the model

**FCC ID: C5F7NF9PMO100N**