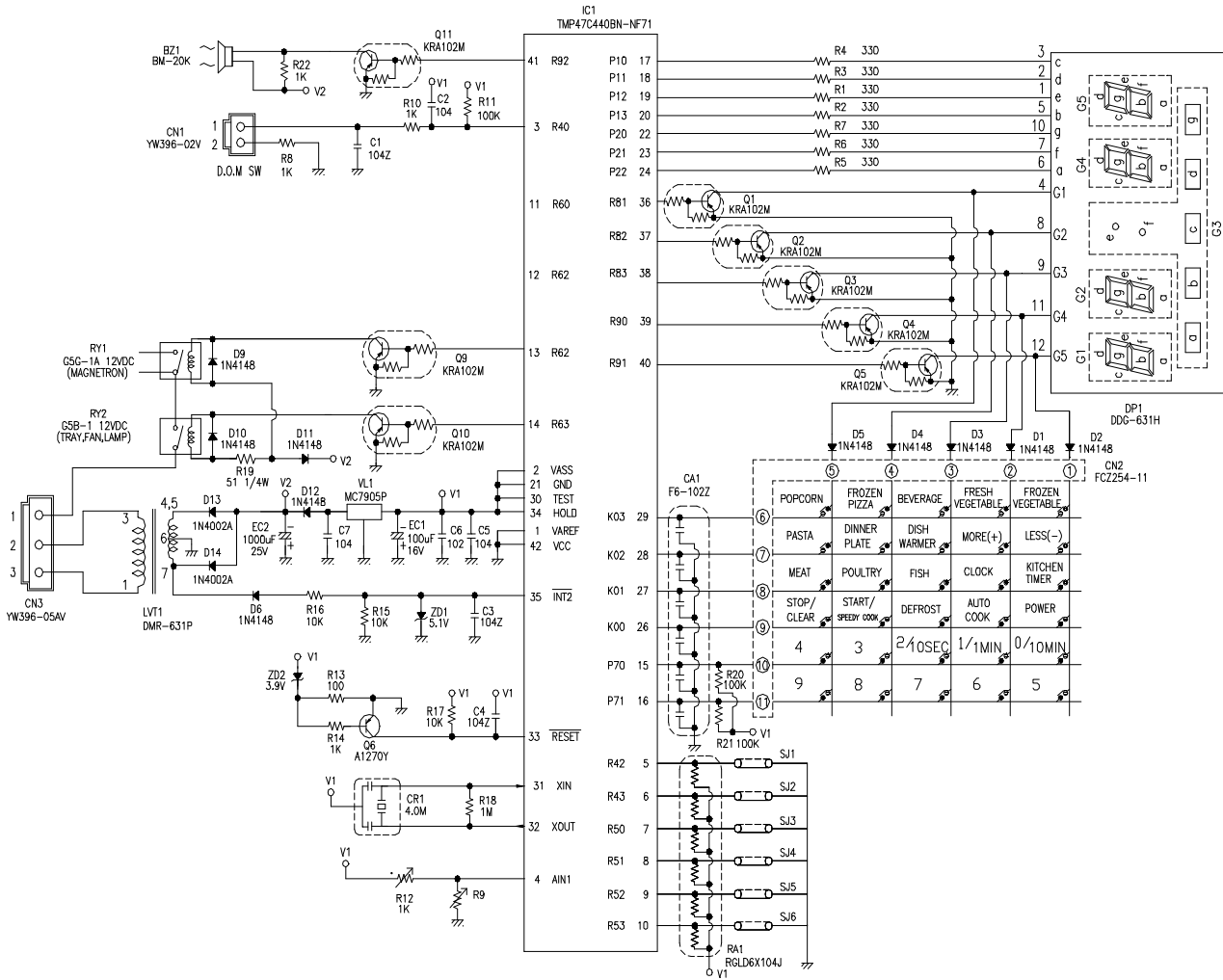


# PCB CIRCUIT DIAGRAM



< FCC ID : C5F7NF63MO7000 >