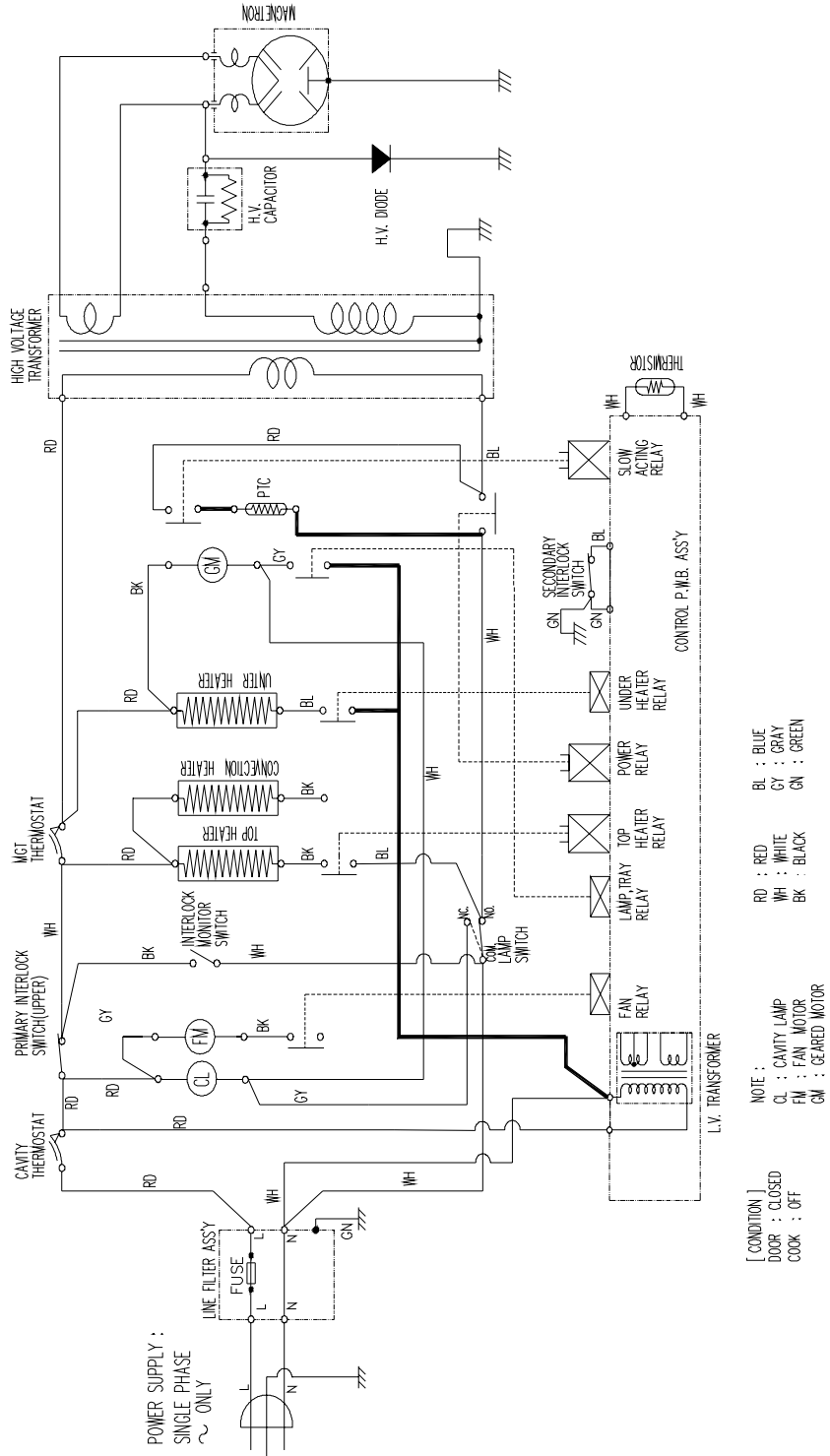


WIRING DIAGRAM (SCHEMATICS)



FCC ID: C5F7NF1MM0100N