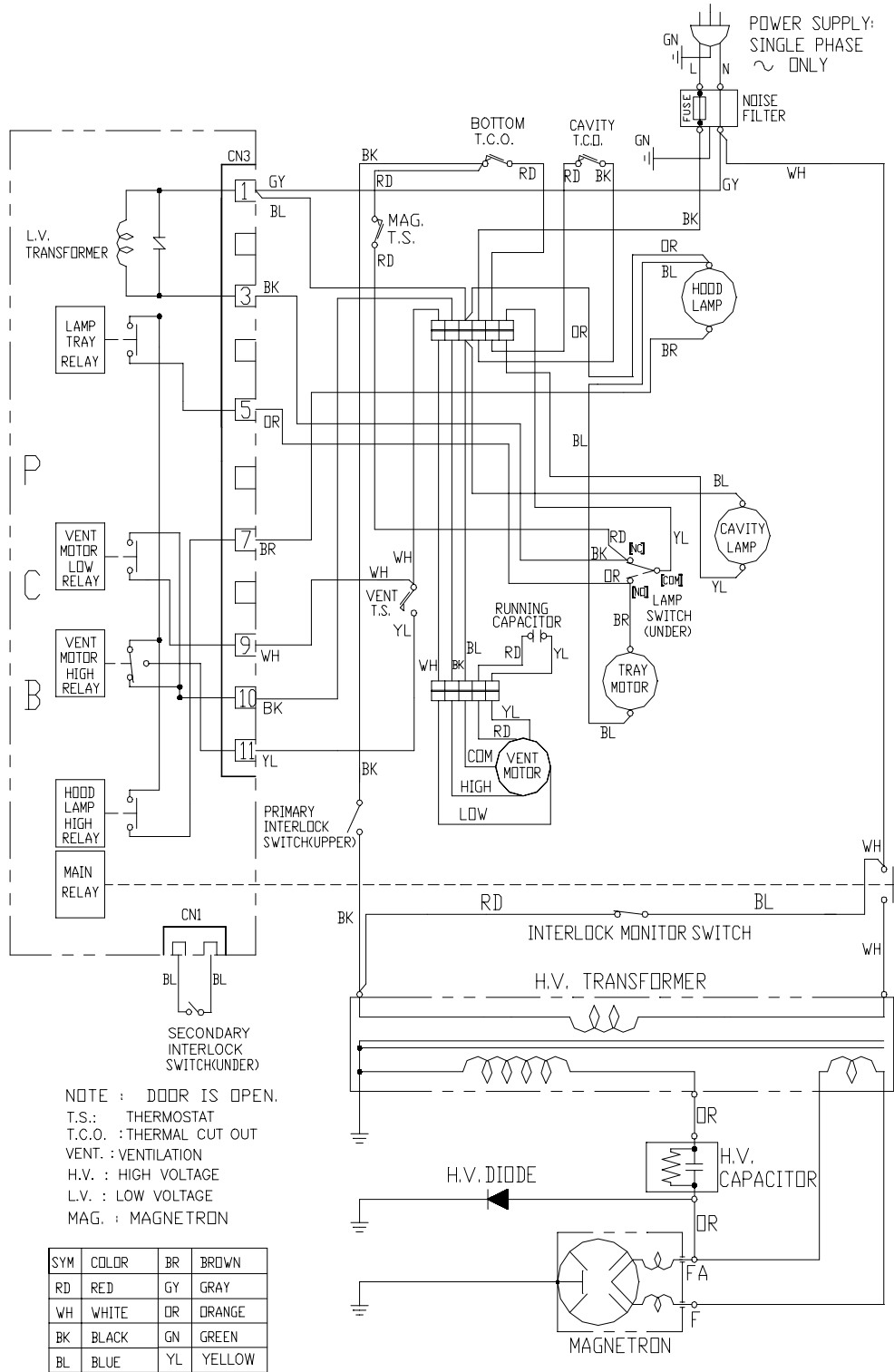


# WIRING DIAGRAM ( SCHEMATICS )



**FCC ID: C5F7NF1GMO1000**