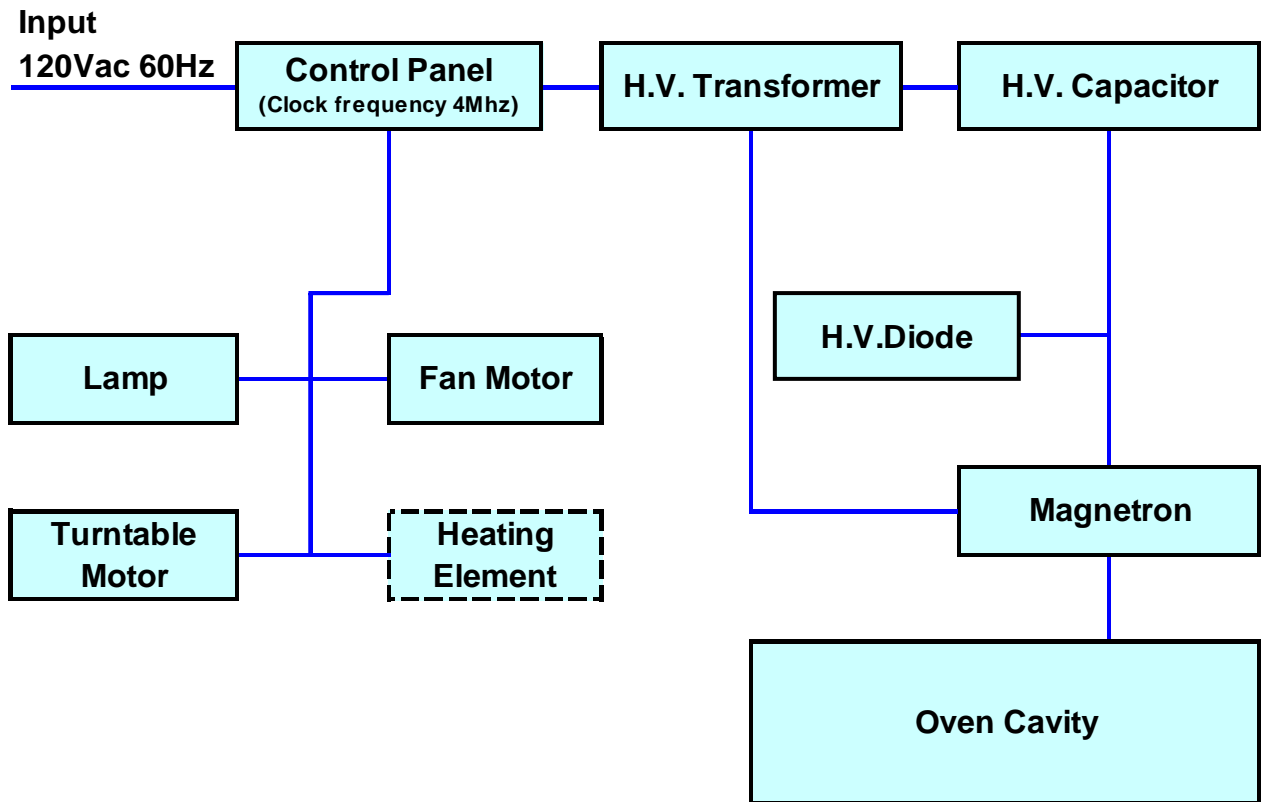


BLOCK DIAGRAM



Note: Components outlined with dotted line is optional and may not be employed in the model

FCC ID: C5F7NF1GMO100N