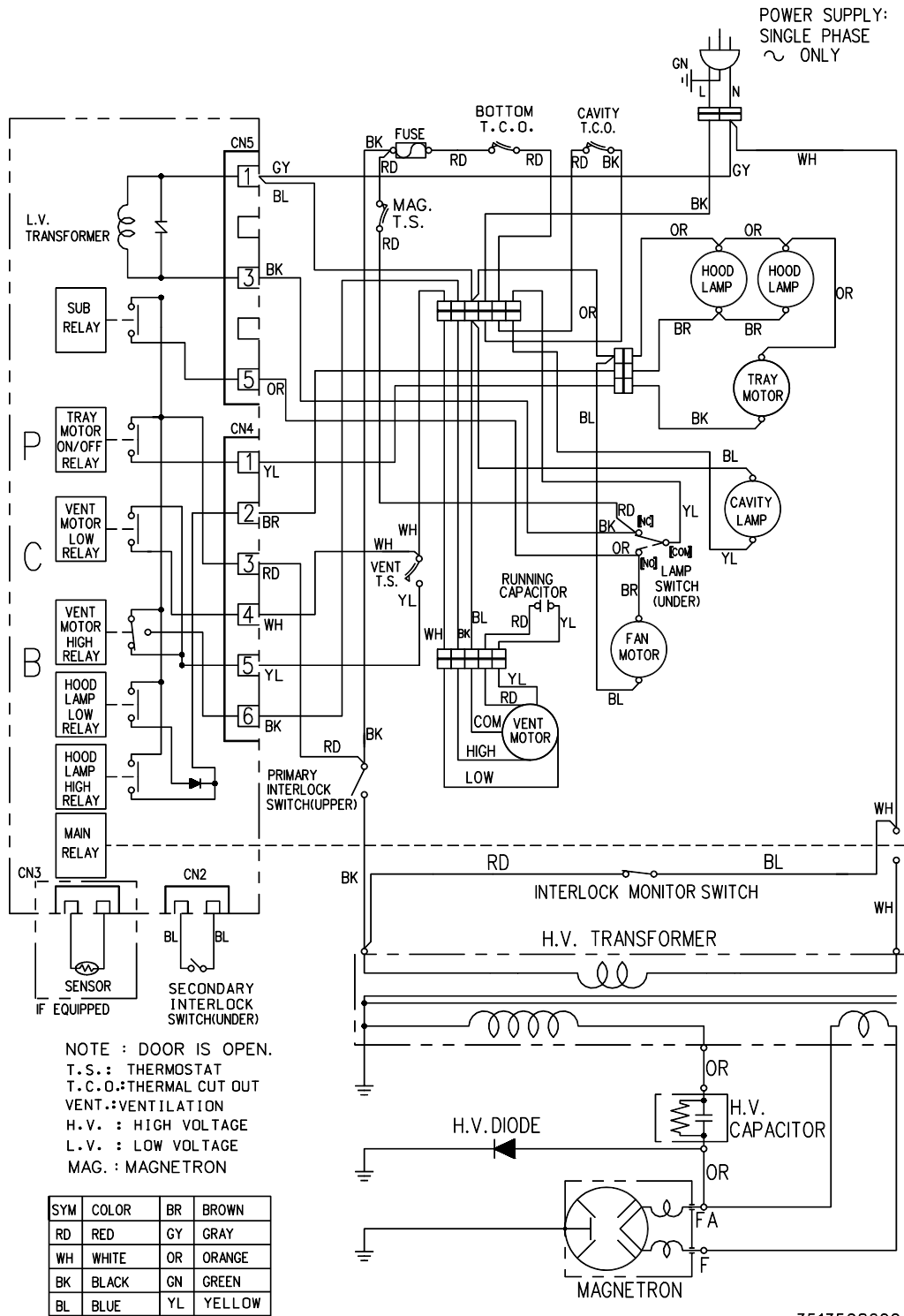


# WIRING DIAGRAM



3513508600

**FCC ID: C5F7NF17MO1100**