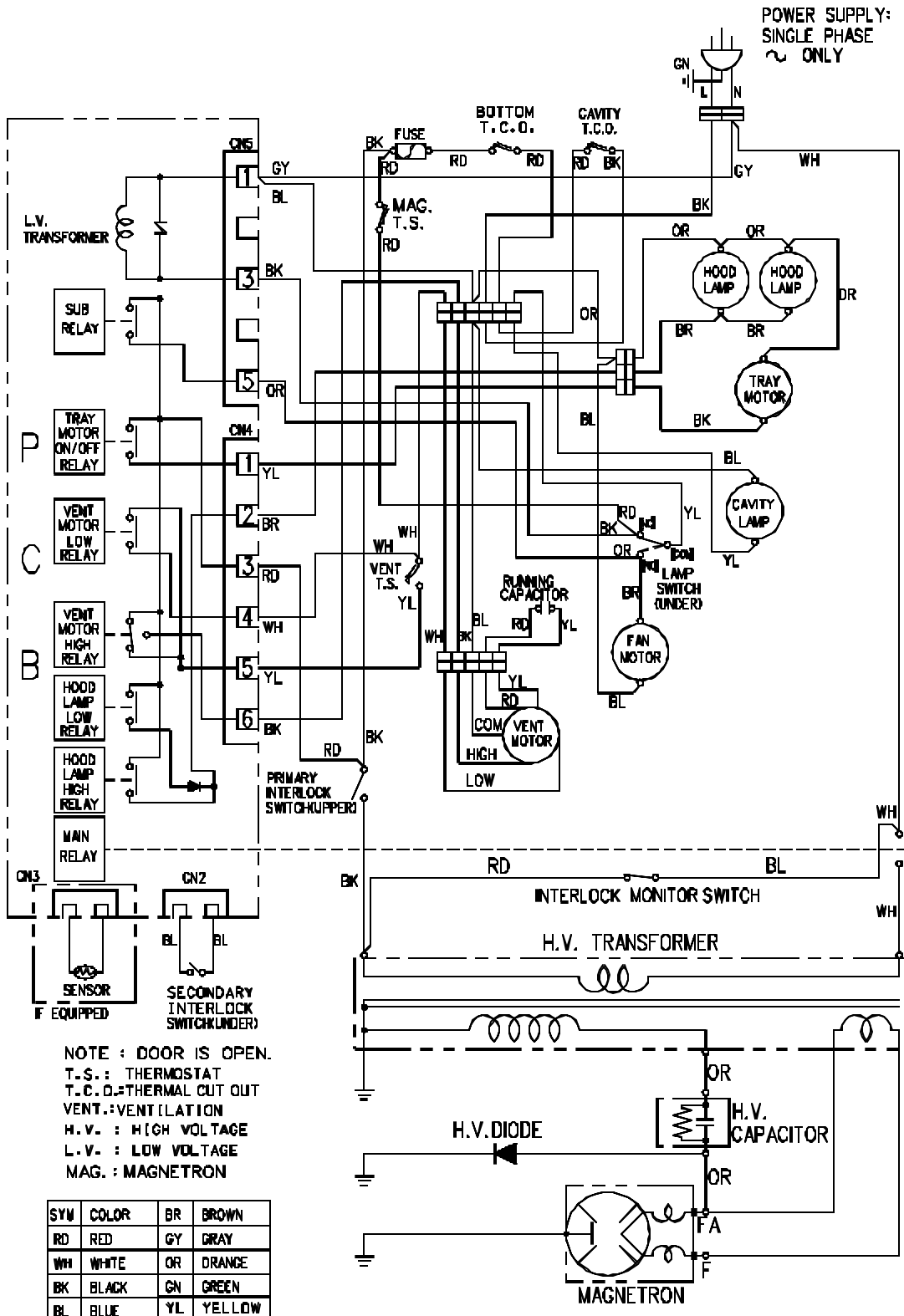


WIRING DIAGRAM



3513508600