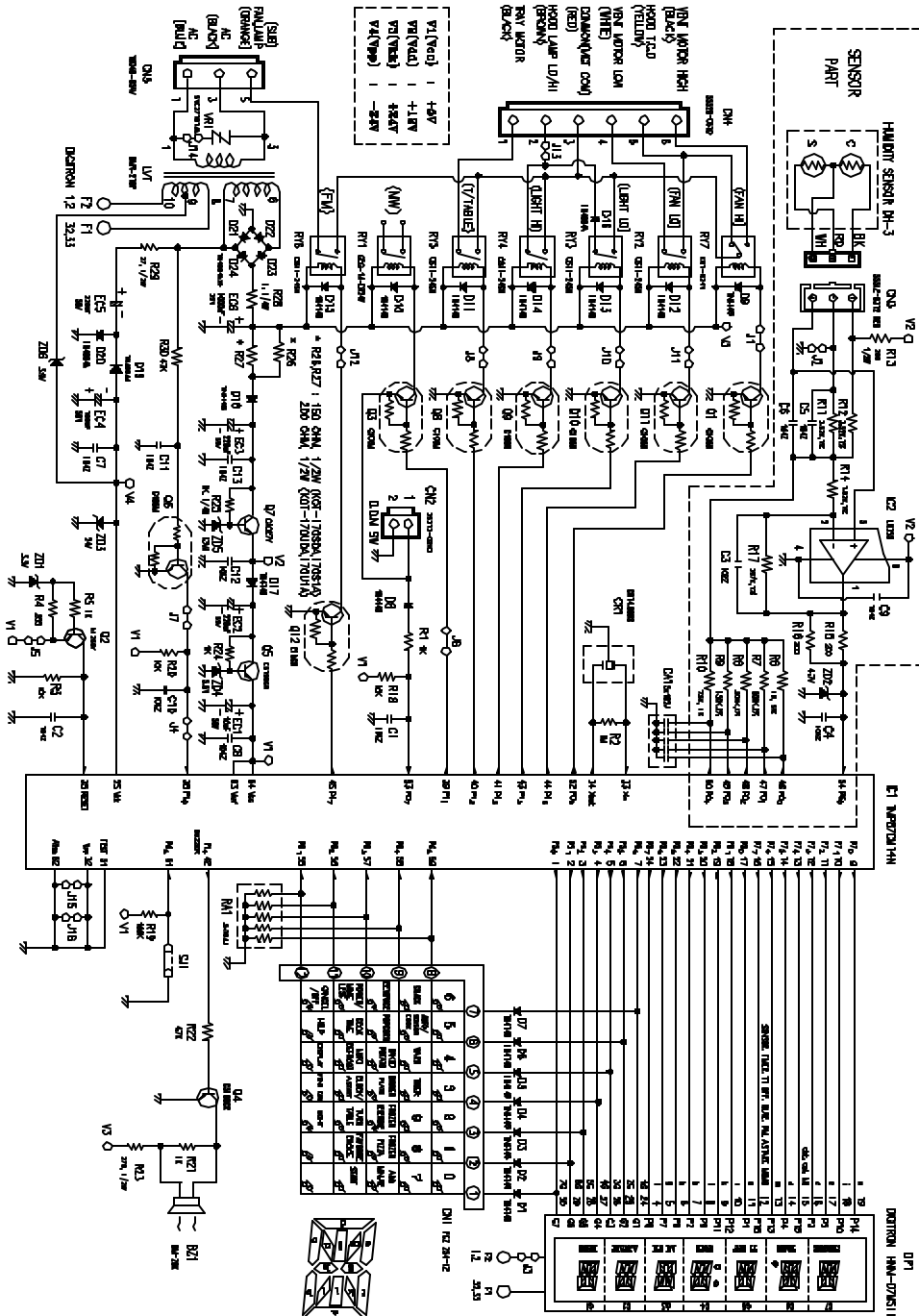


BLOCK DIAGRAM (PCB CIRCUIT DIAGRAM)



FCC ID: C5F7NF17MO1000