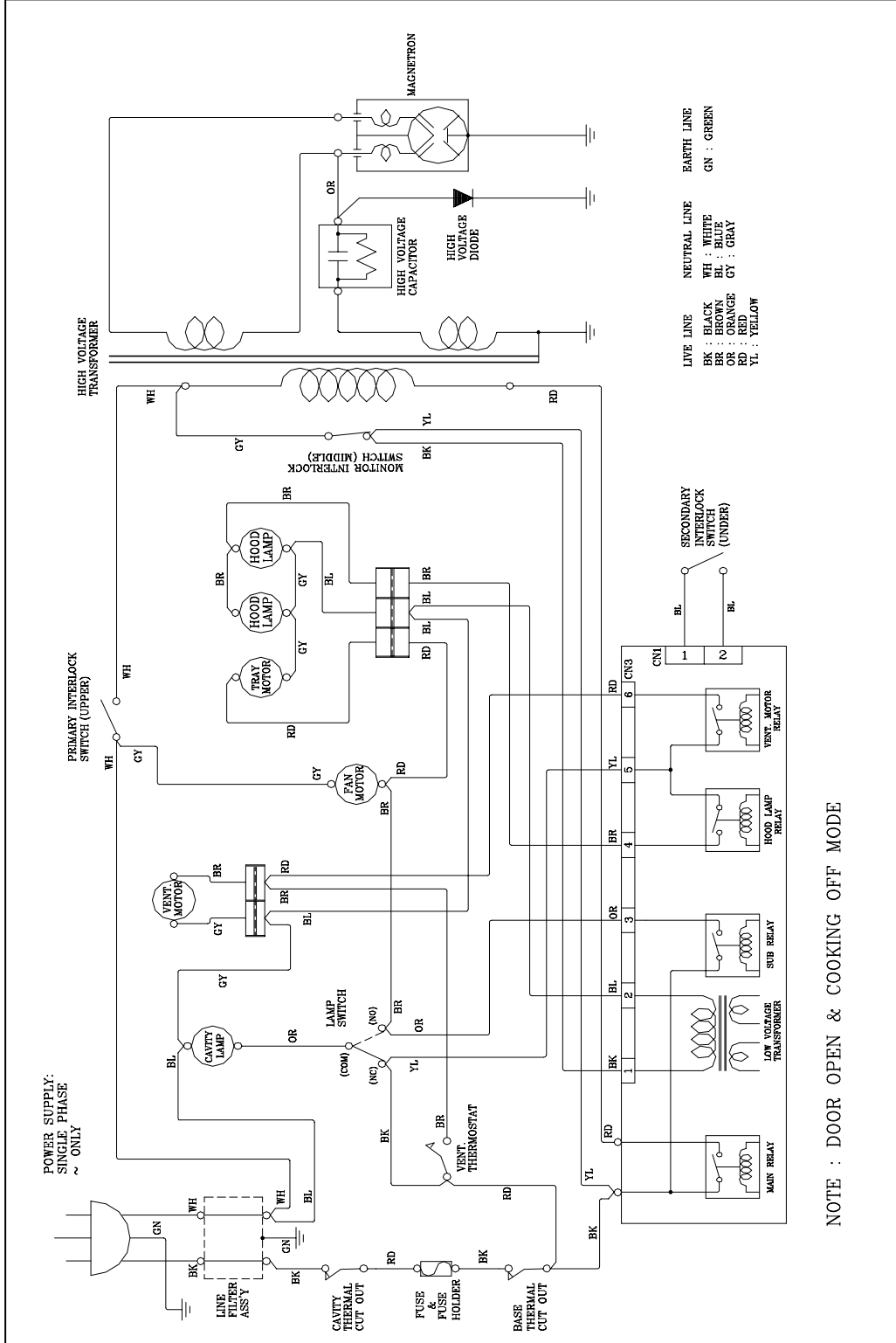


WIRING DIAGRAM (SCHEMATICS)



FCC ID: C5F7NF12M09000