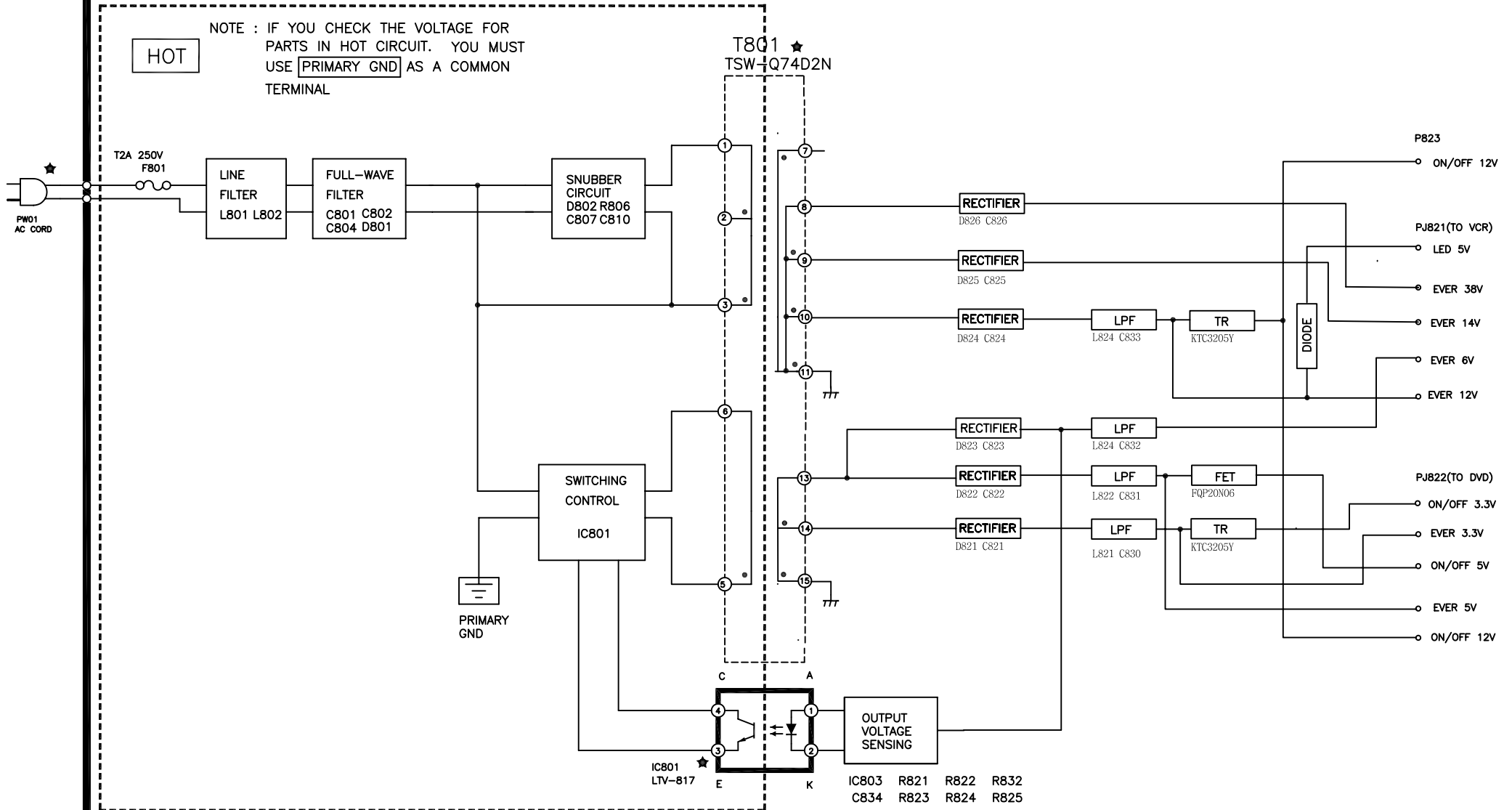


POWER SUPPLY BLOCK DIAGRAM

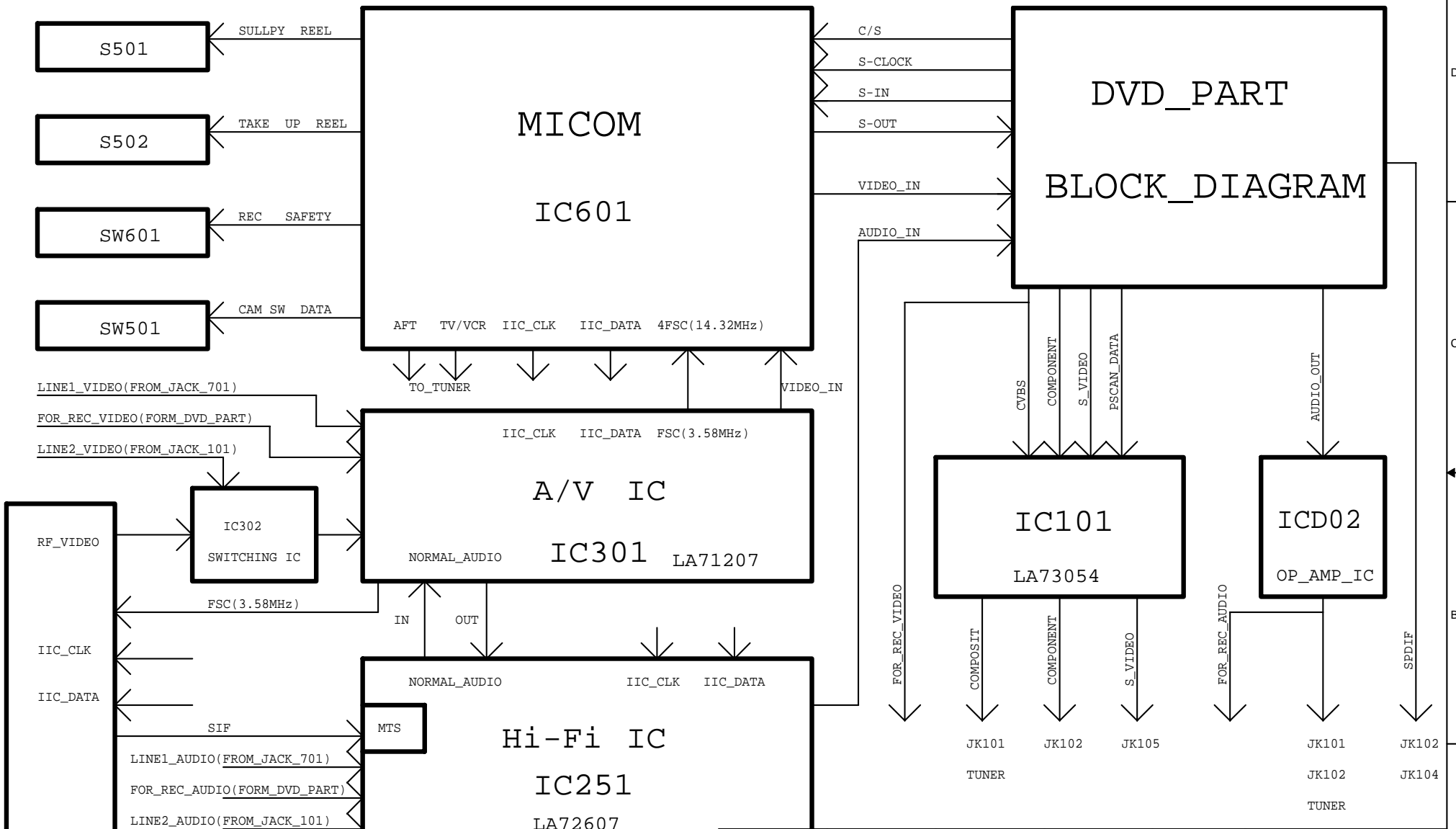
HOT CIRCUIT. BE CAREFUL AND USE AN ISOLATION TRANSFORMER WHEN SERVICING

NOTE : IF YOU CHECK THE VOLTAGE FOR PARTS IN HOT CIRCUIT. YOU MUST USE PRIMARY GND AS A COMMON TERMINAL

HOT

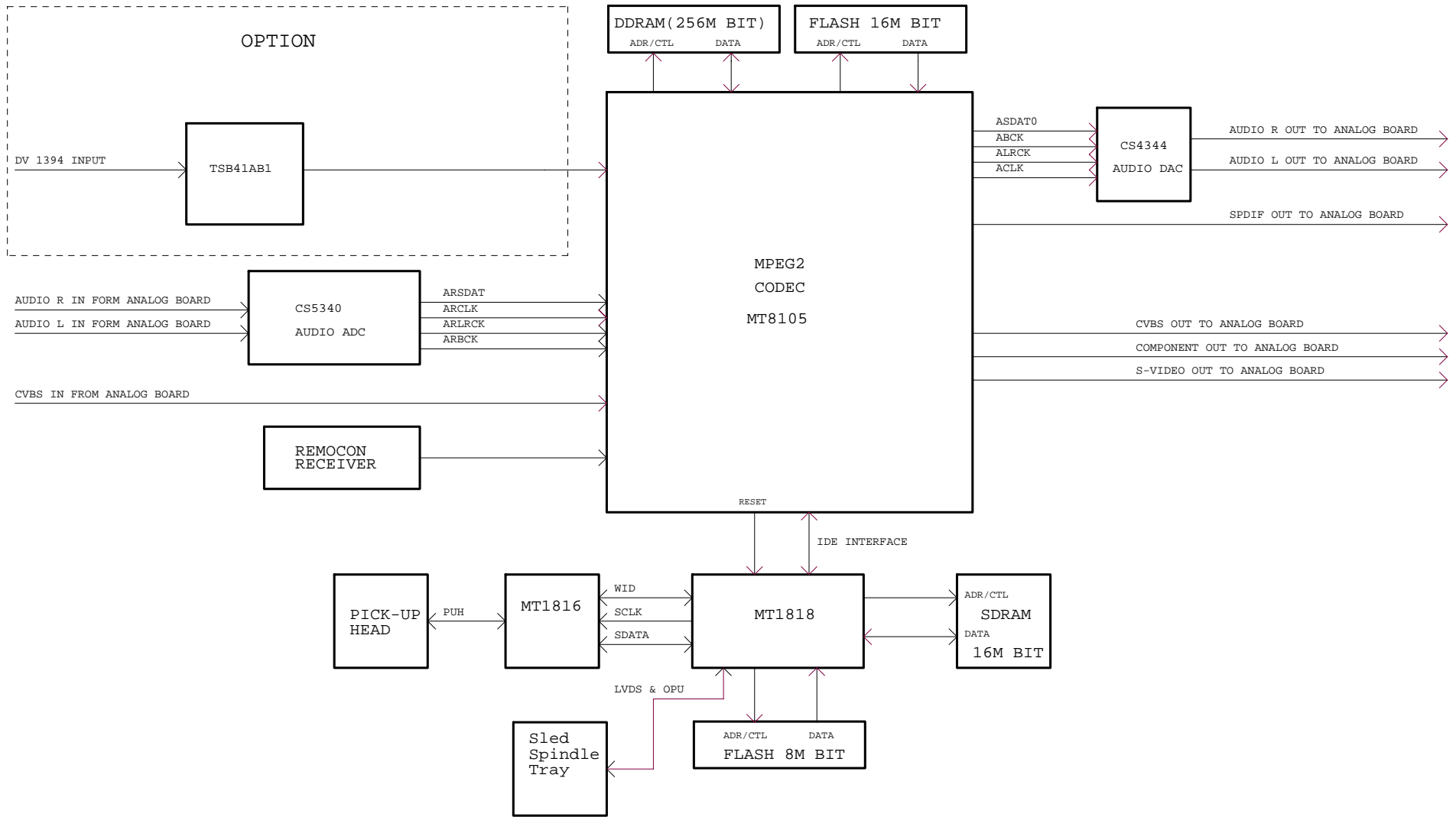


VCR_PART_BLOCK_DIAGRAM



DRAWN	DESIGNED	CHECKED	APPROVED	MODEL	DF-Q74D2N-JS
Y.LEE	Y.LEE		H.Y.KIM	FILE NAME	
				DATE	
				REVISED	
3 Team			REV NO.	SHEET	/
DAEWOO ELECTRONICS Digital Video Lab.			VCR PART BLOCK DIAGRAM		

DVD_PART_BLOCK_DIAGRAM



DRAWN	DESIGNED	CHECKED	APPROVED	MODEL	< MODEL NAME >
				FILE NAME	<FILE NAME>
				DATE	Monday, February 28, 2005
<DRAWN>	<DESIGNED>	<CHECKED>	<APPROVED>	REVISED	<REVISED>
1 Team				REV NO.	REV NO. SHEET 1 / 9
DAEWOO ELECTRONICS Digital Media Lab.				01 : Figure_2 COVER PAGE	