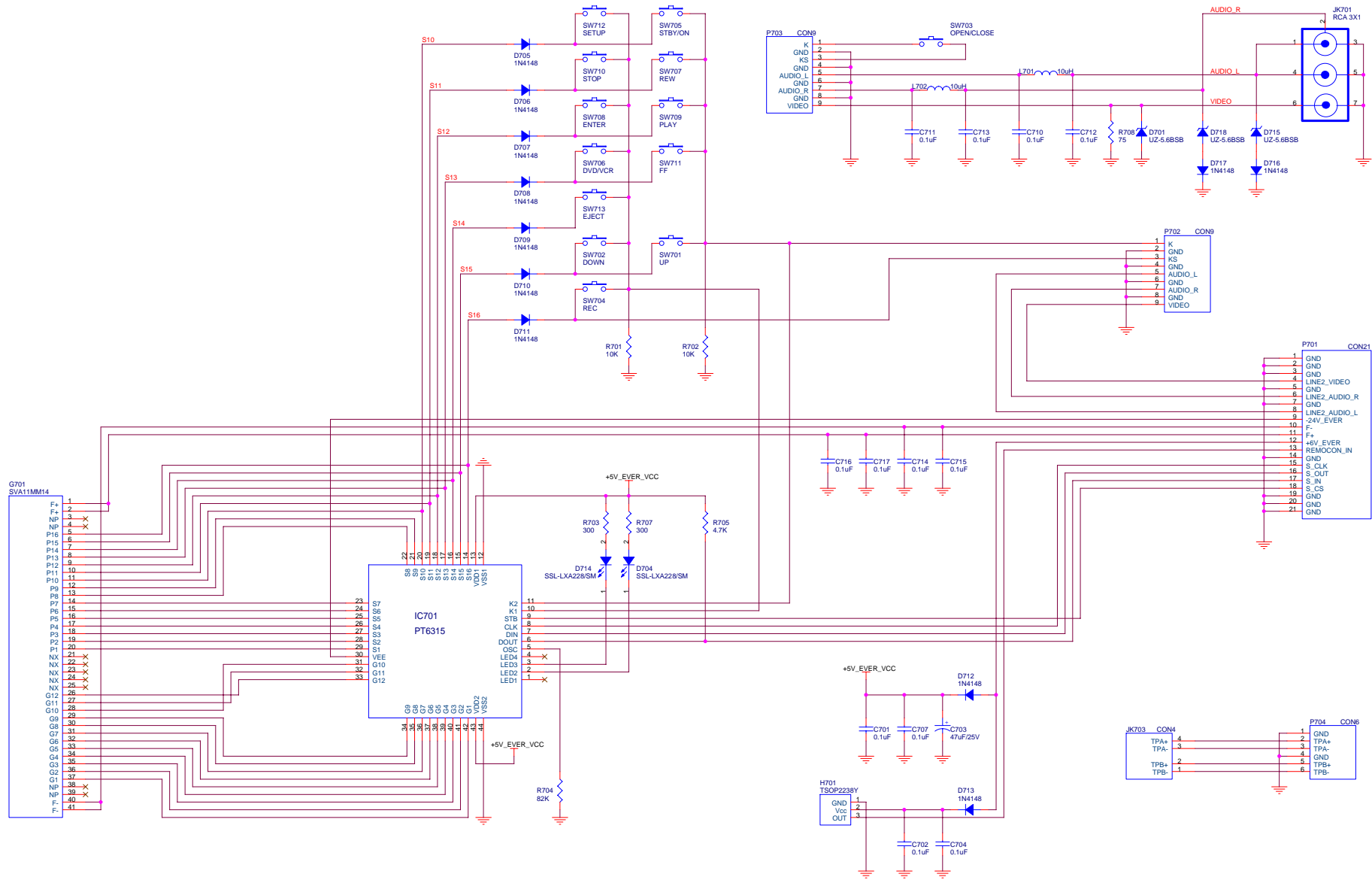
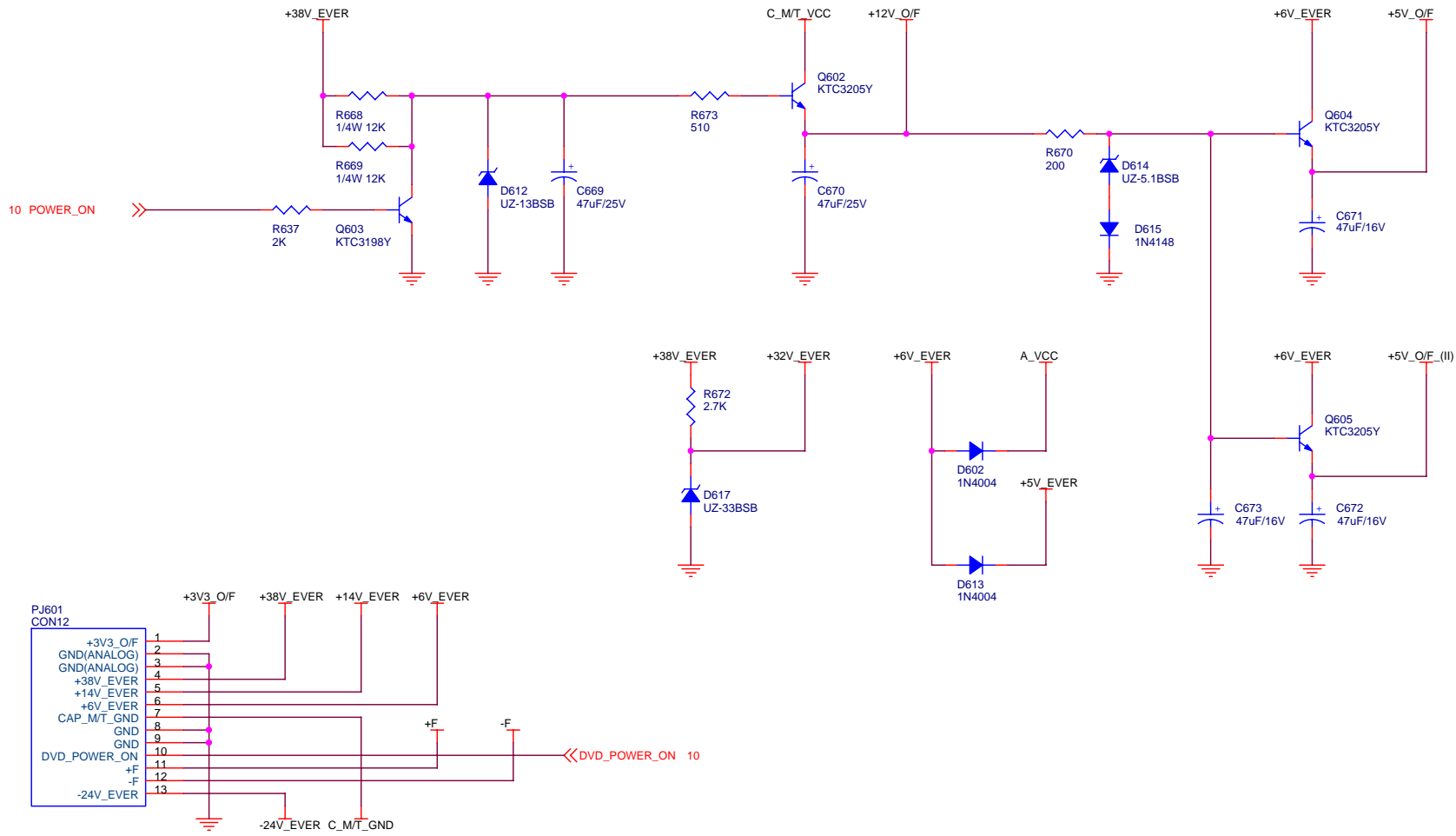


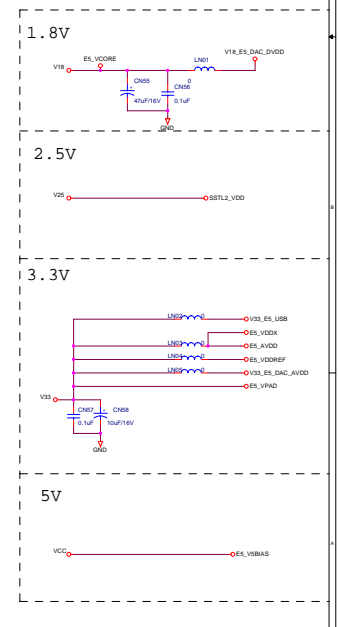
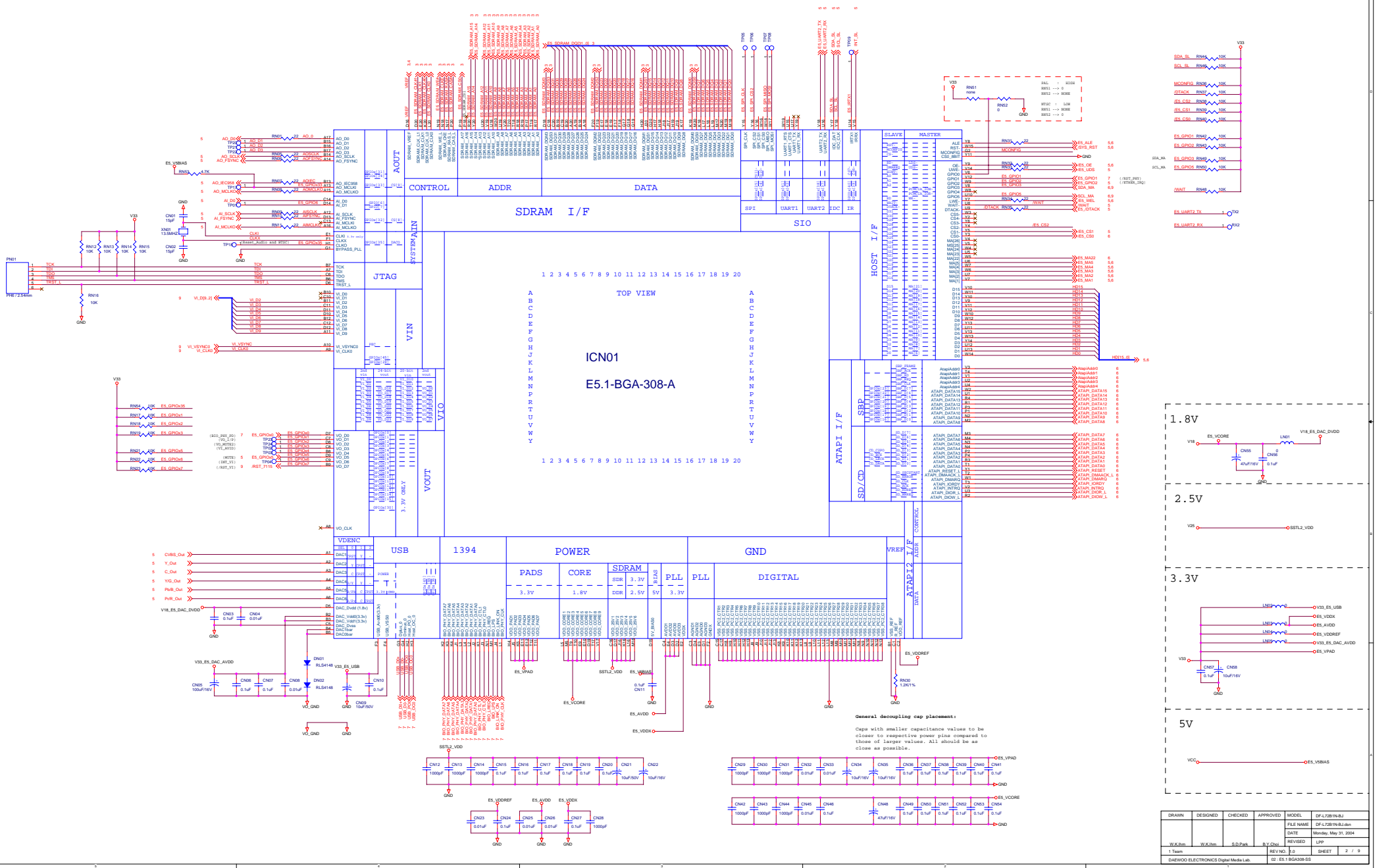
DRAWN	DESIGNED	CHECKED	APPROVED	MODEL	DF-L72B1N-BJ
				FILE NAME	DF-L72B1N-BJ.dsn
				DATE	Monday, May 31, 2004
				REVISED	LPP
1 Team				REV NO.	2.0 SHEET 1 / 9
DAEWOO ELECTRONICS Digital Media Lab.				01 : BLOCK DIAGRAM	



DRAWN	DESIGNED	CHECKED	APPROVED	MODEL	DF-L72B1N-BJ
				FILE NAME	DF-L72B1N-BJ.dsn
				DATE	Monday, May 31, 2004
D.Y.Kwak	D.Y.Kwak	S.D.Park	S.H.Eun	REVISED	LPP
1 Team				REV NO.	2.0 SHEET 1 / 1
DAEWOO ELECTRONICS Digital Media Lab.				01 : Front Board	

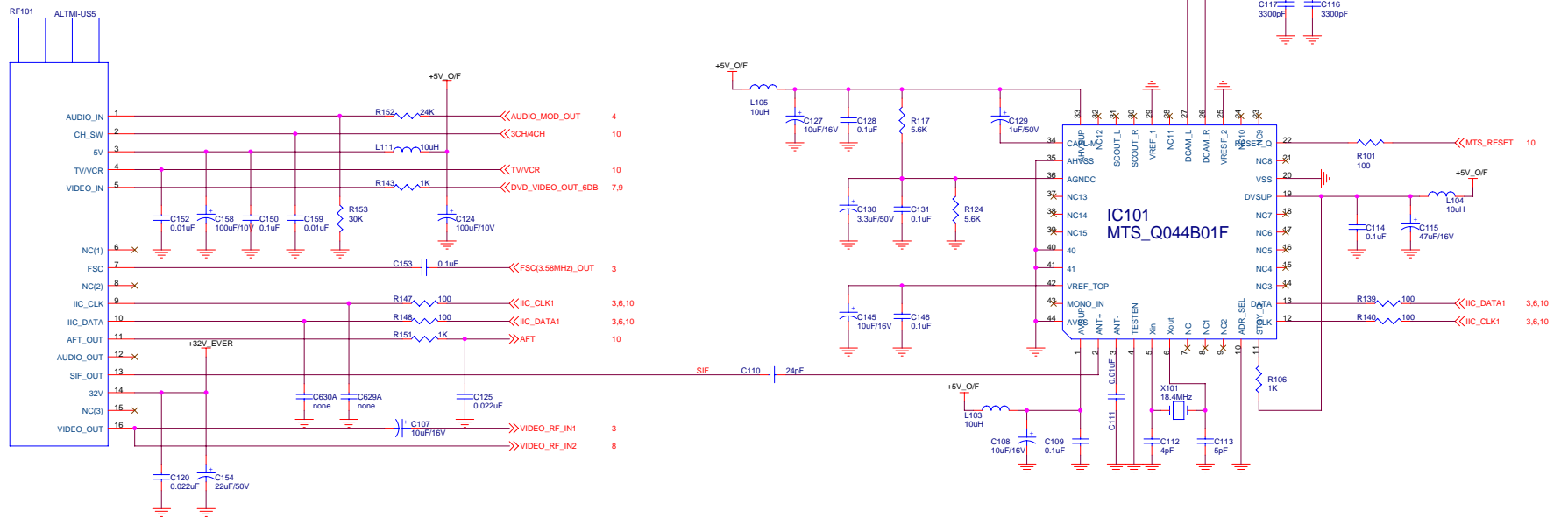


DRAWN	DESIGNED	CHECKED	APPROVED	MODEL	DF-L72B1N-BJ
				FILE NAME	DF-L72B1N-BJ.dsn
				DATE	Monday, May 31, 2004
J.H.Lim	J.H.Lim	S.D.Park	S.H.Eun	REVISED	LPP
1 Team			REV NO.	2.0	SHEET 1 / 10
DAEWOO ELECTRONICS Digital Media Lab.			01 : POWER		



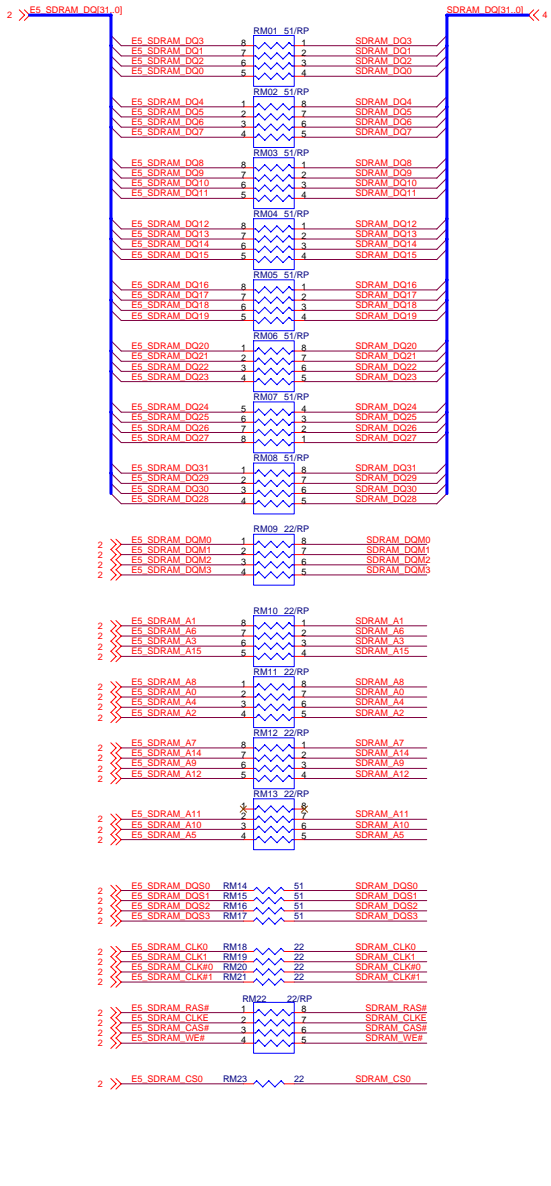
DRAWN	DESIGNED	CHECKED	APPROVED	MODEL
W.S.lee	W.S.lee	S.D.Park	S.W.cho	DF-L728 (Rev.1)
1	1	1	1	DATE: Monday, May 31, 2004
				REVISED: LUP
				SHEET: 2 / 9

DAEWOO ELECTRONICS Digital Media Lab. 02 E5.1 BGA308-S5

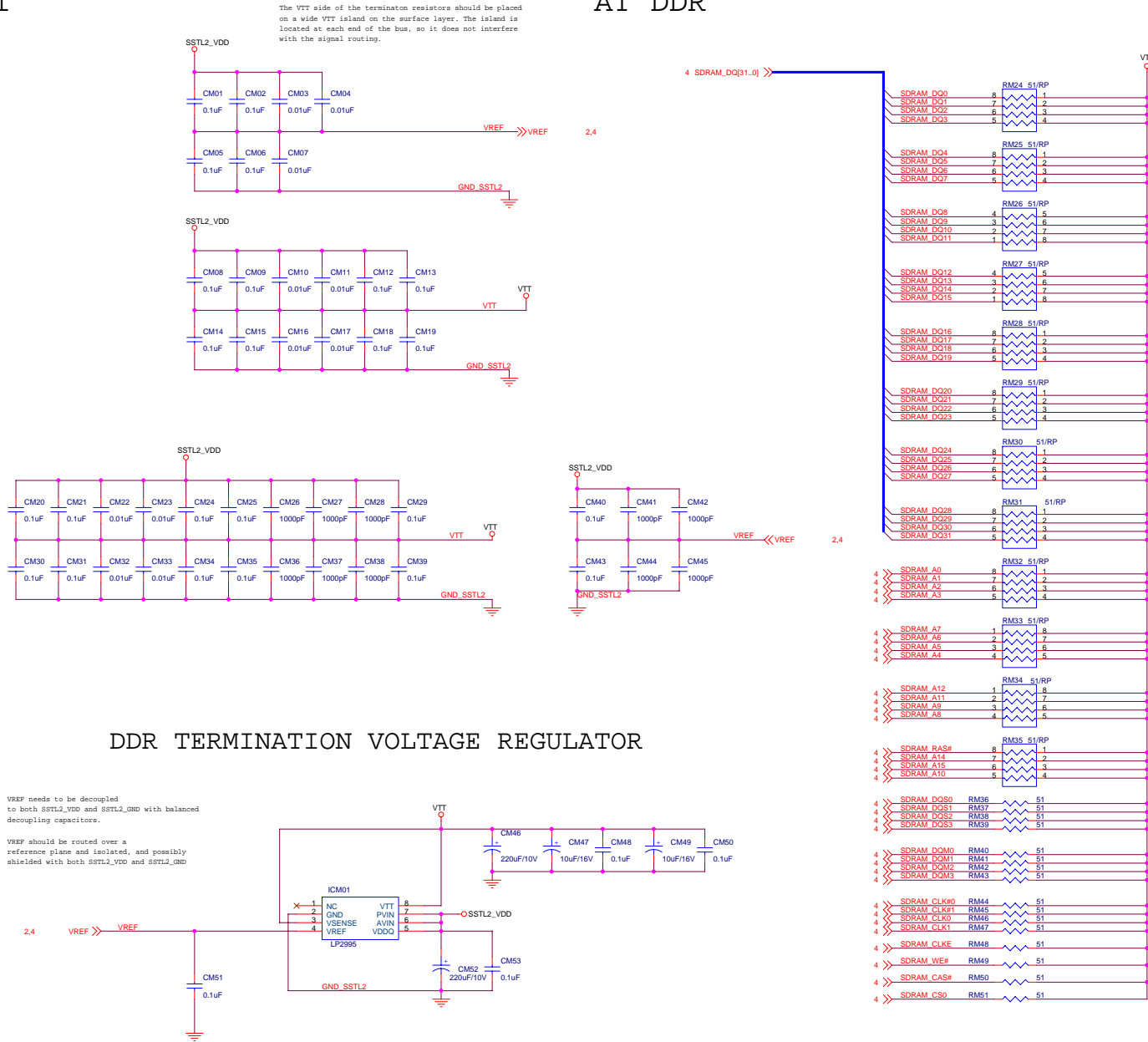


DRAWN	DESIGNED	CHECKED	APPROVED	MODEL	DF-L72B1N-BJ
				FILE NAME	DF-L72B1N-BJ.dsn
				DATE	Monday, May 31, 2004
				REVISED	LPP
1 Team				REV NO.	2.0 SHEET 2 / 10
DAEWOO ELECTRONICS Digital Media Lab.				02 : RF & MTS	

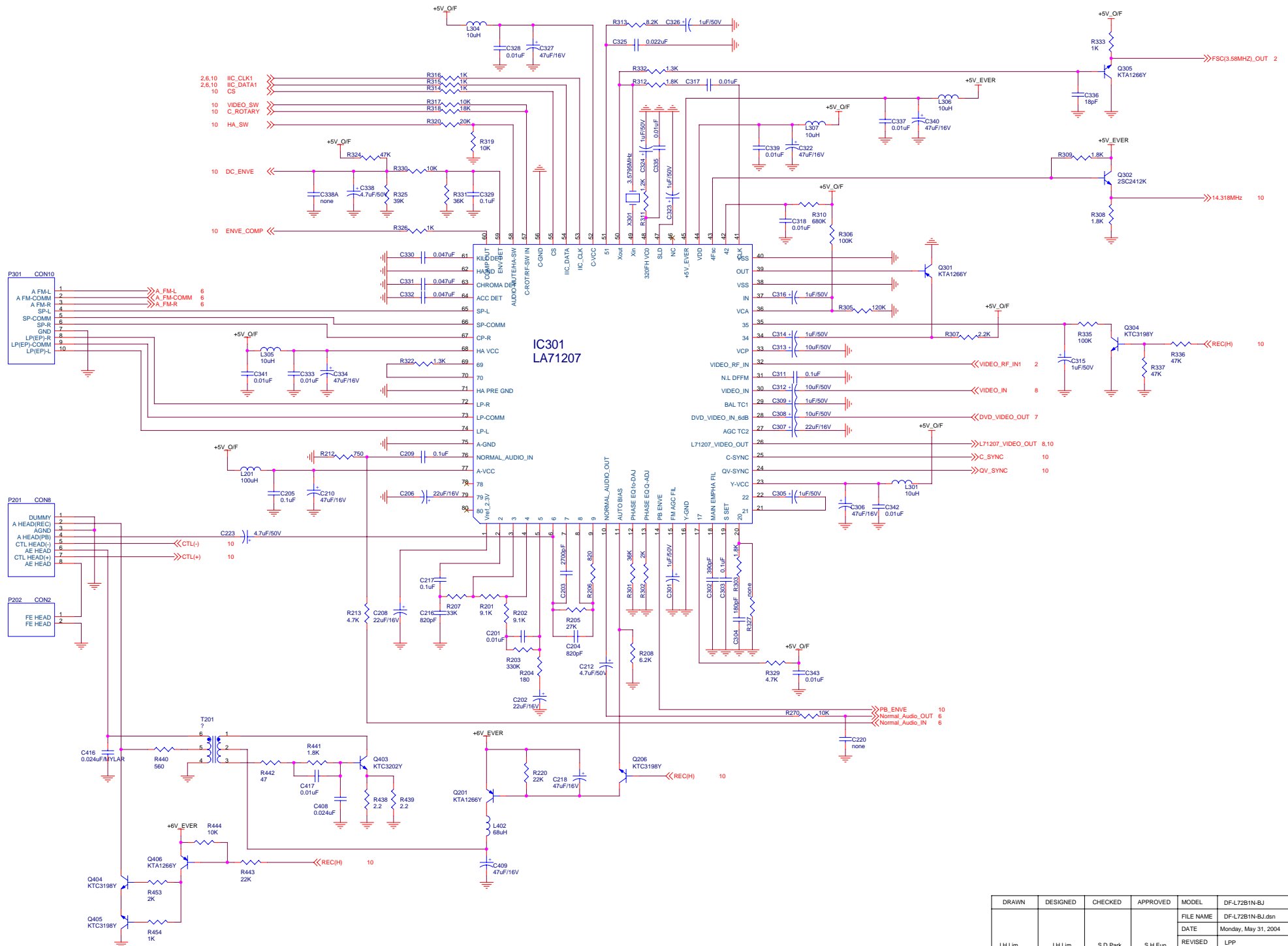
# TERMINATION AT E5.1



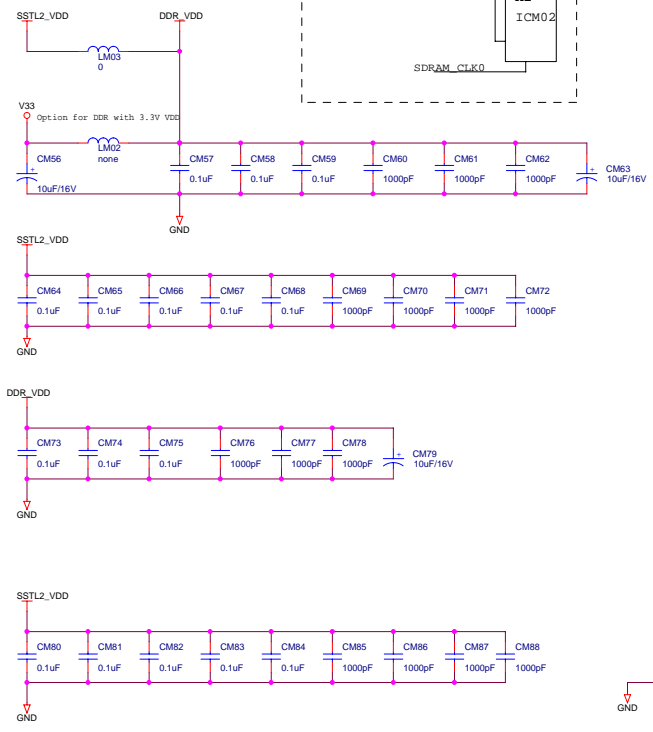
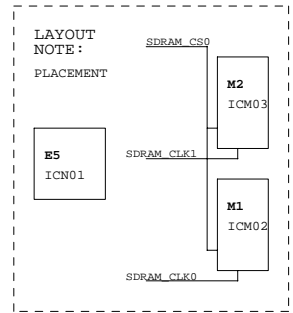
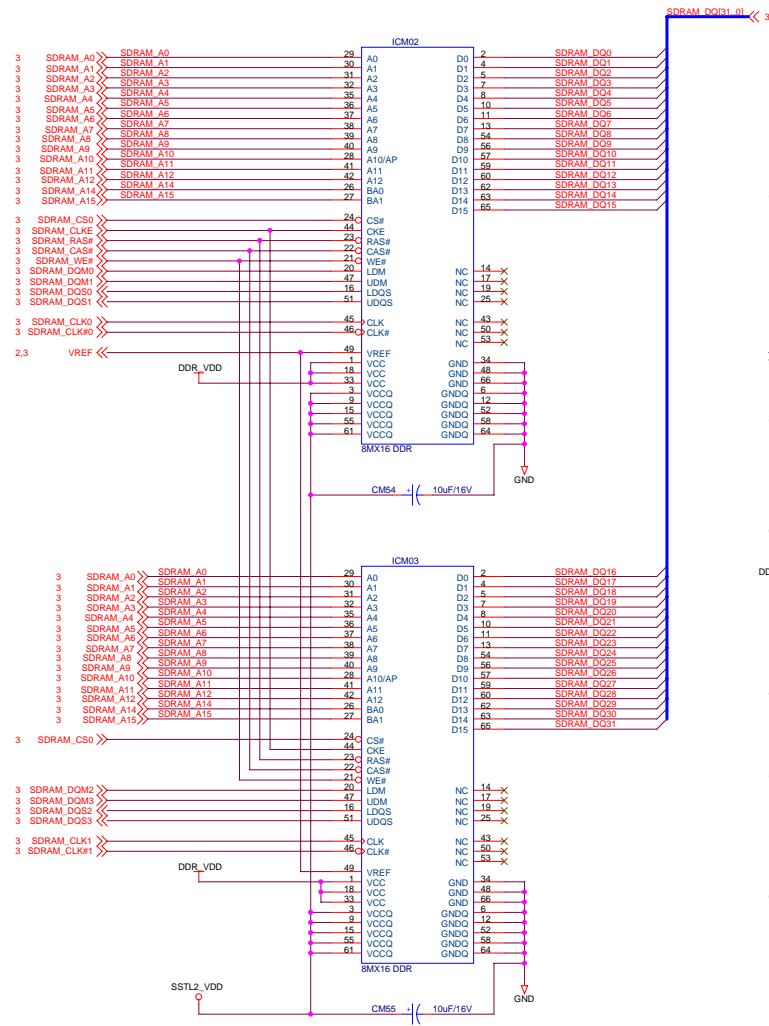
# TERMINATION AT DDR



DRAWN	DESIGNED	CHECKED	APPROVED	MODEL	DF-L72B1N-BJ
				FILE NAME	DF-L72B1N-BJ.dsn
				DATE	Monday, May 31, 2004
				REVISED	LPP
1 Team			REV NO.	1.0	SHEET 3 / 9
DAEWOO ELECTRONICS Digital Media Lab.				03 : TERM AT E5 & DDR & VREF/VTT	



DRAWN	DESIGNED	CHECKED	APPROVED	MODEL	DF-L7281N-BJ
				FILE NAME	DF-L7281N-BJ.dsn
				DATE	Monday, May 31, 2004
J.H.Lim	J.H.Lim	S.D.Park	S.H.Eun	REVISED	LPP
1 Team				REV. NO.	2.0 SHEET 3 / 10
DAEWOO ELECTRONICS Digital Media Lab.				03 : AV	



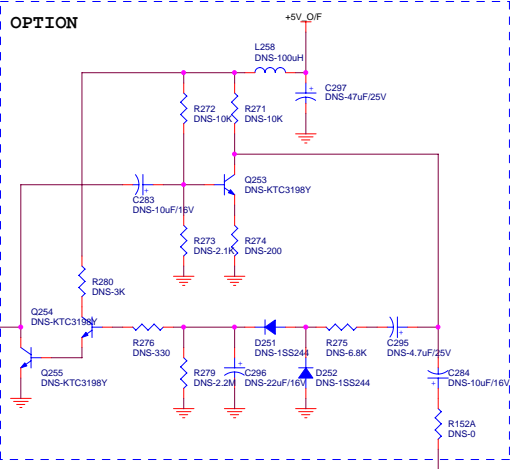
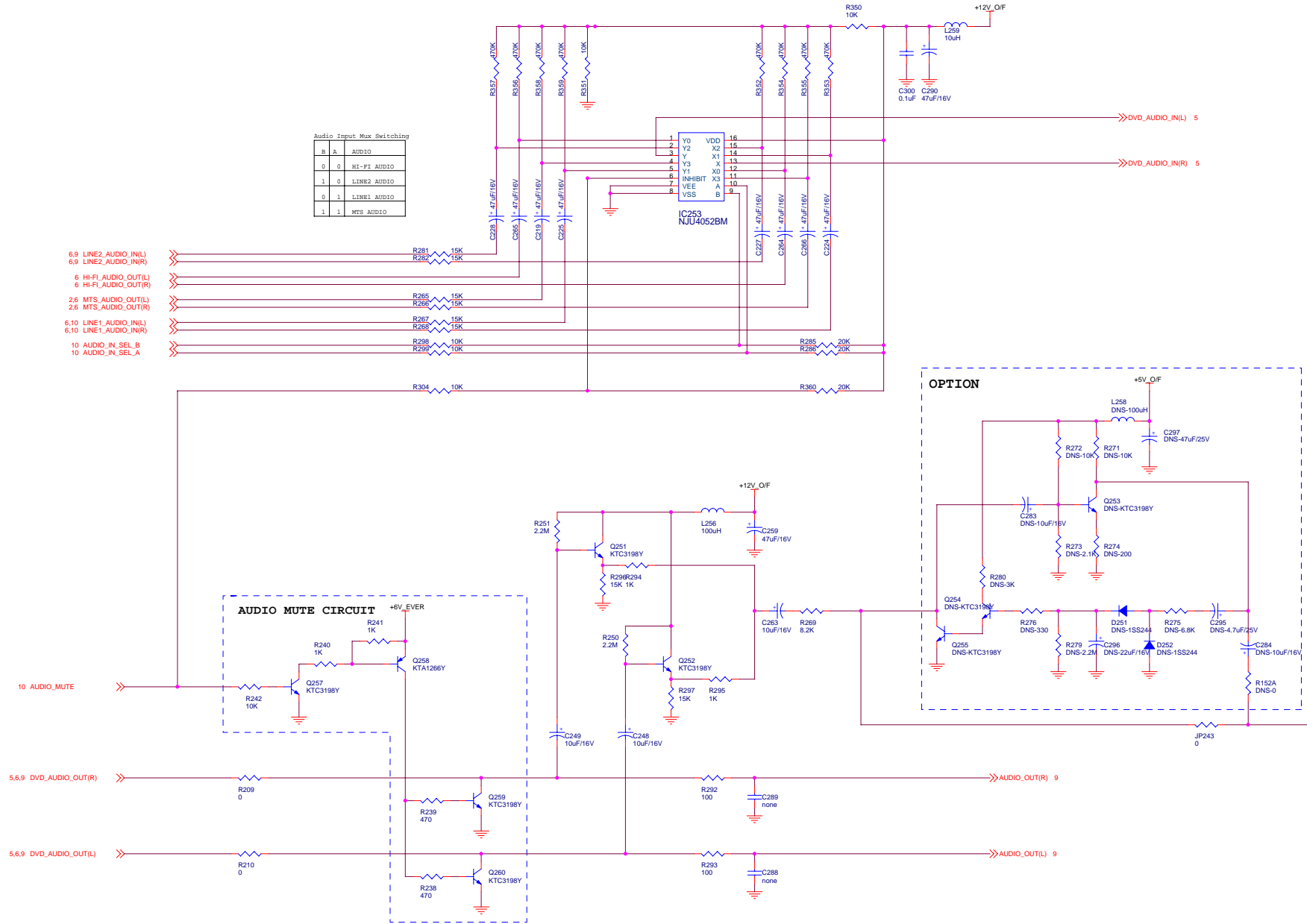
DRAWN	DESIGNED	CHECKED	APPROVED	MODEL	DF-L72B1N-BJ
				FILE NAME	DF-L72B1N-BJ.dsn
				DATE	Monday, May 31, 2004
M.K.Lee	M.K.Lee	S.D.Park	B.Y.Choi	REVISED	LPP
1 Team			REV NO.	0.0	SHEET 4 / 9
DAEWOO ELECTRONICS Digital Media Lab.			04 : 2 (8M BY 16) DDR SDRAM		



### Audio Input Multiplexer

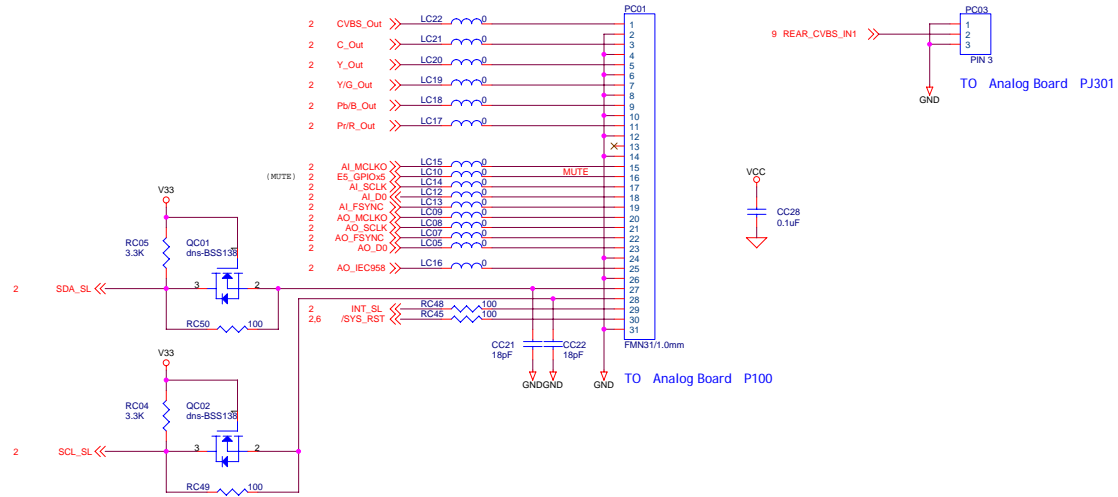
Audio Input Mux Switching

B	A	AUDIO
0	0	HI-FI AUDIO
1	0	LINE2 AUDIO
0	1	LINE1 AUDIO
1	1	MTS AUDIO

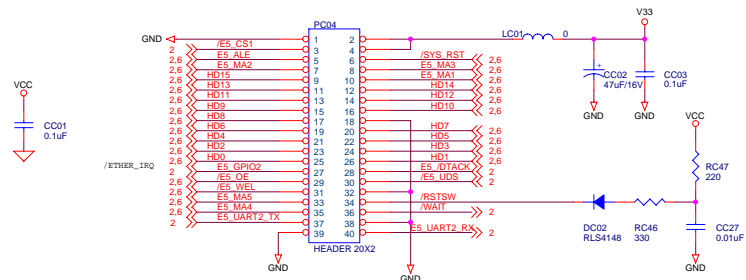


DRAWN	DESIGNED	CHECKED	APPROVED	MODEL	DF-L72B1N-BJ
				FILE NAME	DF-L72B1N-BJ.dsn
				DATE	Monday, May 31, 2004
Y.S.Kim	Y.S.Kim	S.D.Park	S.H.Eun	REVISED	LPP
1 Team				REV NO.	2.0 SHEET 4 / 10
DAEWOO ELECTRONICS Digital Media Lab.				04 : AUDIO MULTIPLEXER	

## To Analog Board ( Video & Audio & IIC )



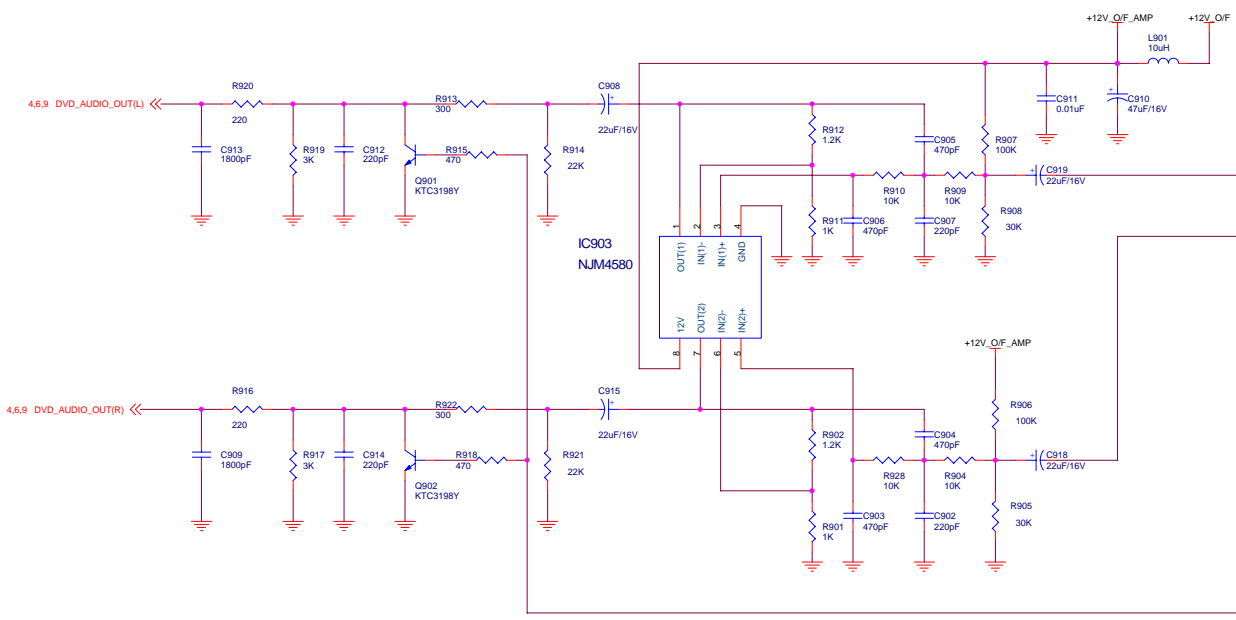
## E-Link IV Connector



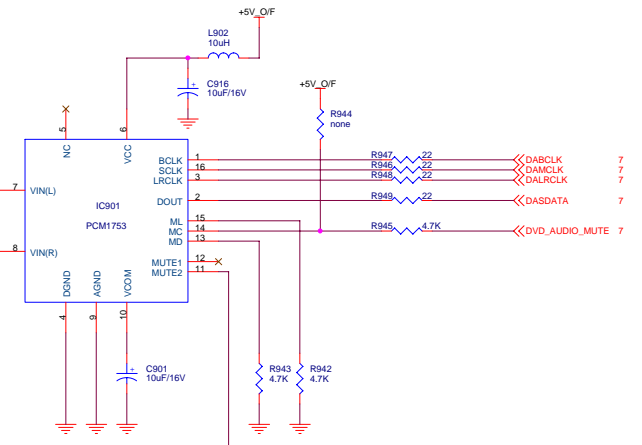
TO LOADER <ATAPI>

DRAWN	DESIGNED	CHECKED	APPROVED	MODEL	DF-L72B1N-BJ
				FILE NAME	DF-L72B1N-BJ.dsn
				DATE	Monday, May 31, 2004
				REVISED	LPP
1 Team				REV NO.	1.0 SHEET 5 / 9
DAEWOO ELECTRONICS Digital Media Lab.				05 : RST, IR, AV/ELINK CON.UART	

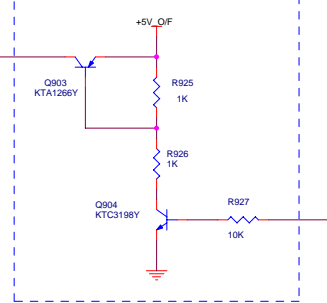
### AUDIO AMP & FILTER



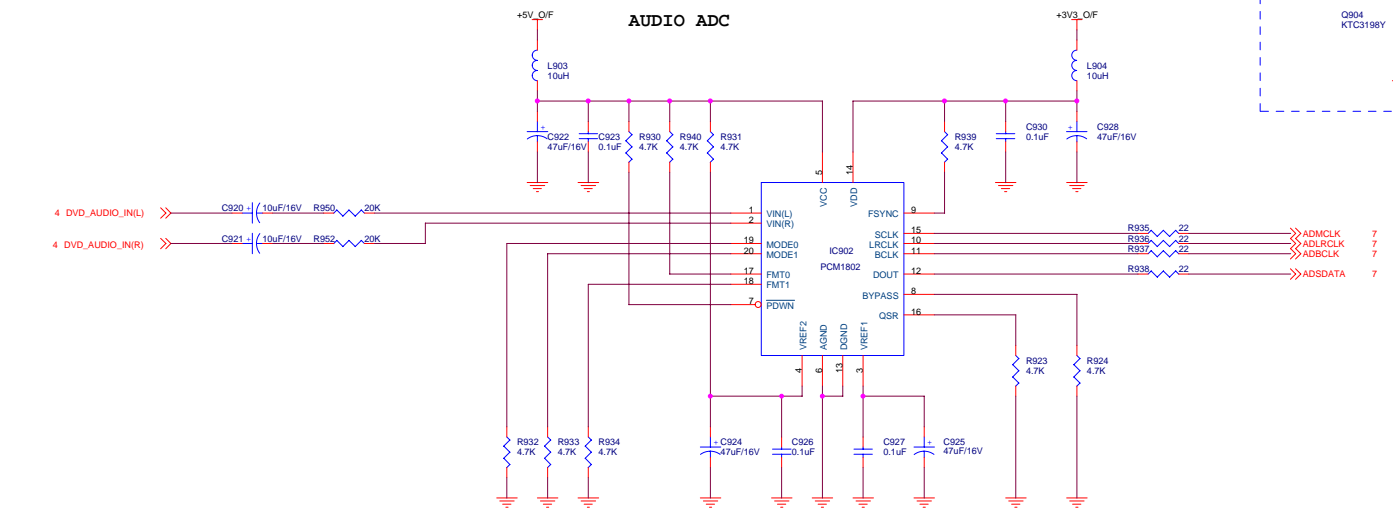
### AUDIO DAC



### DAC MUTE CIRCUIT

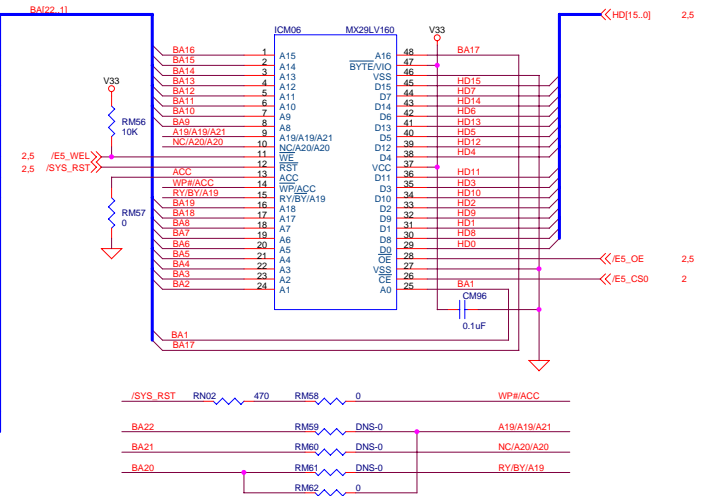
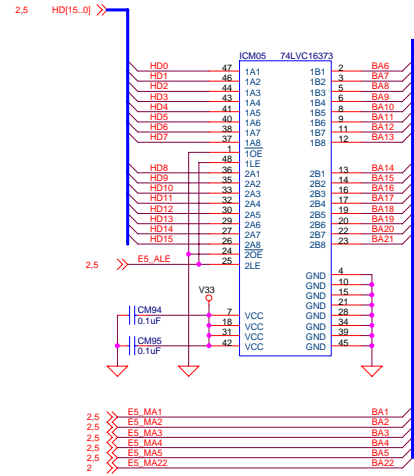
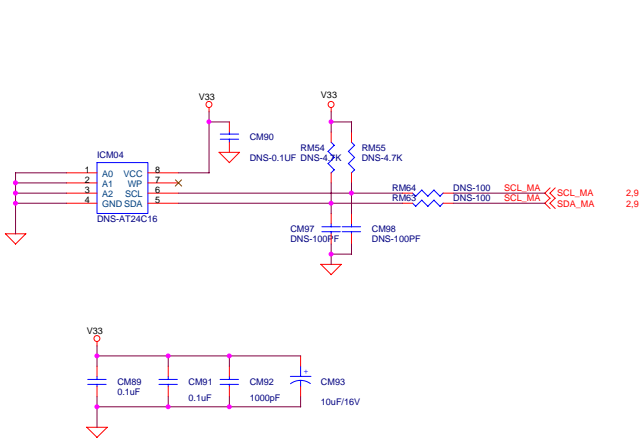


### AUDIO ADC



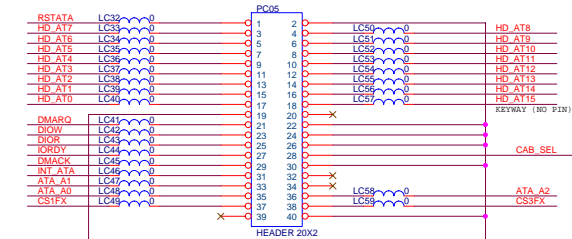
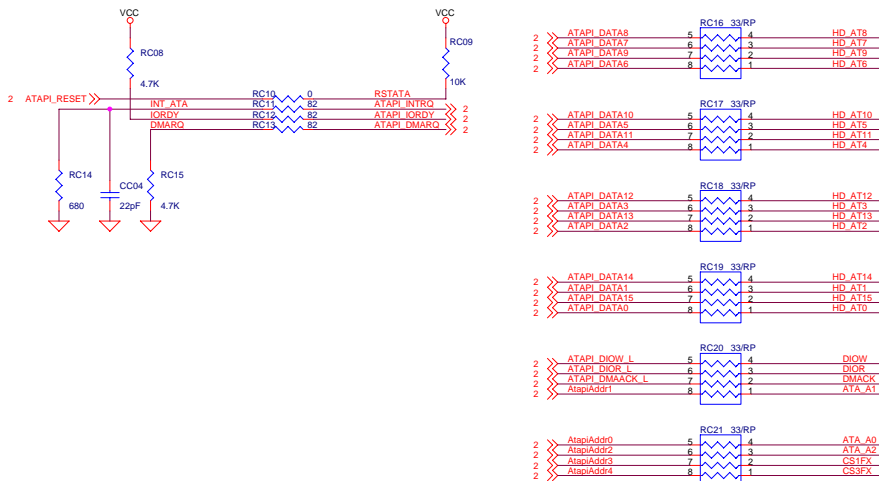
DRAWN	DESIGNED	CHECKED	APPROVED	MODEL	DF-L72B1N-BJ
				FILE NAME	DF-L72B1N-BJ.dsn
				DATE	Monday, May 31, 2004
Y.S.Kim	Y.S.Kim	S.D.Park	S.H.Eun	REVISED	LPP
1 Team			REV NO.	2.0	SHEET 5 / 10
DAEWOO ELECTRONICS Digital Media Lab.			05 : AUDIO AD & DA		

# FLASH MEMORY (2 or 4 or 8 Mb)

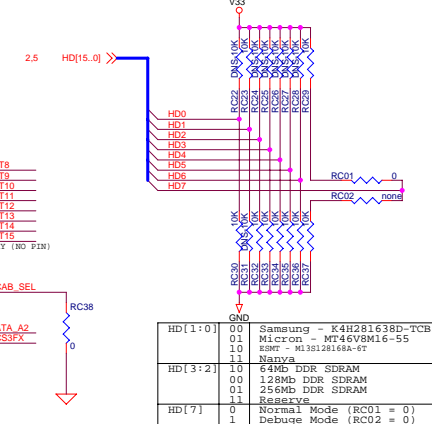


Size	Stuff	Not Stuff
1MB		RM59, RM60, RM61, RM62
2MB	RM62	RM59, RM60, RM61
4MB	RM62, RM60	RM59, RM61
8MB	RM59, RM60, RM61	RM62

## DEDICATED ATAPI INTERFACE

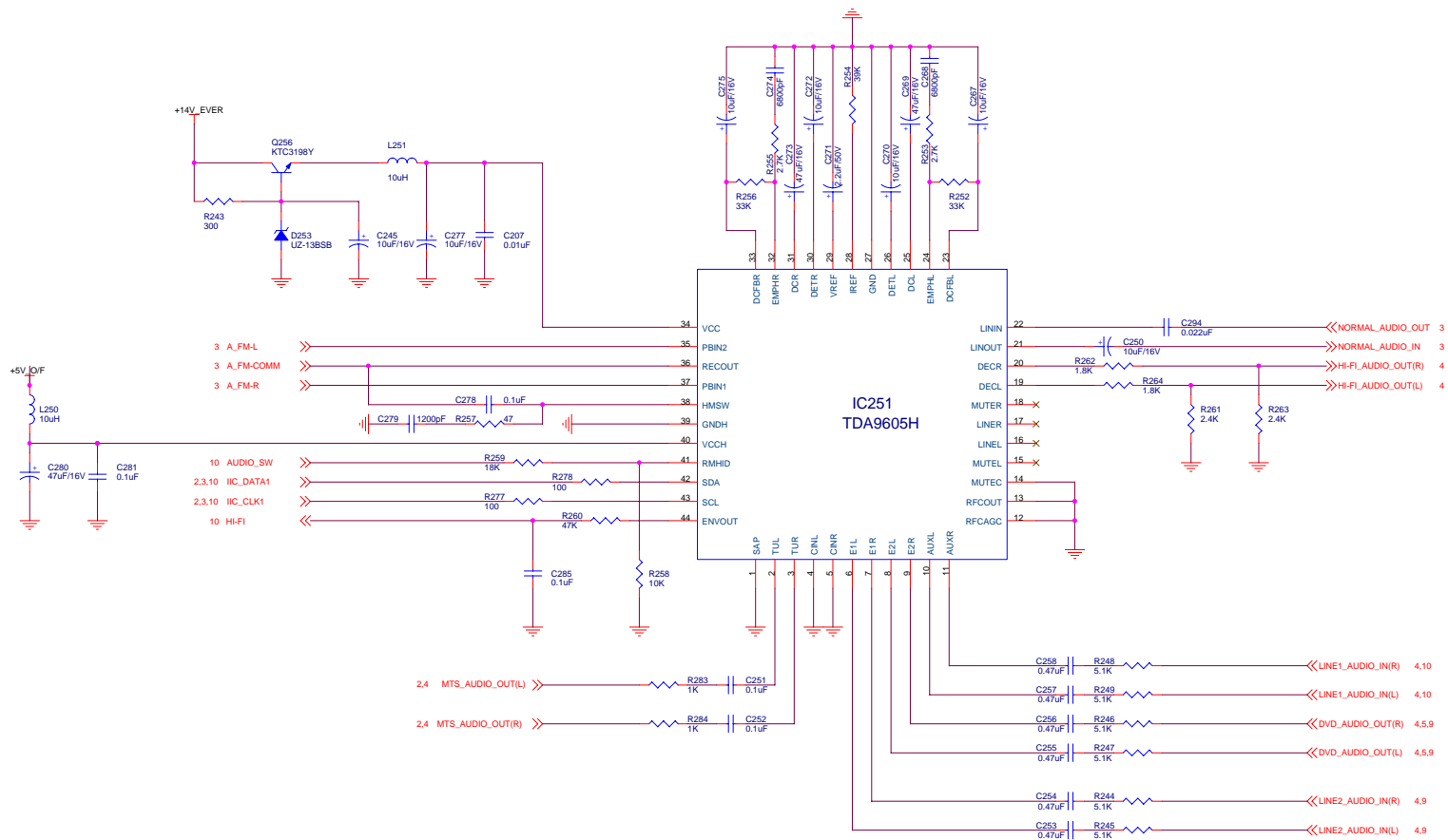


## HOST Read



HD[1:0]	00	01	10	11
Manufacturer	Samsung	Micron	Nanya	Nanya
Part Number	K4H281638D-TCB3	MT46V8M16-55	M138131168-67	M138131168-67
Capacity	64Mb DDR SDRAM	128Mb DDR SDRAM	256Mb DDR SDRAM	256Mb DDR SDRAM
Mode	Normal Mode (RC01 = 0)	Normal Mode (RC01 = 0)	Normal Mode (RC01 = 0)	Normal Mode (RC01 = 0)
Debug Mode	Debug Mode (RC02 = 0)	Debug Mode (RC02 = 0)	Debug Mode (RC02 = 0)	Debug Mode (RC02 = 0)

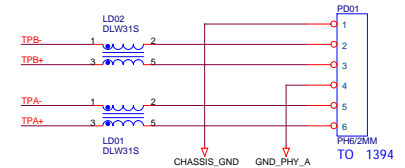
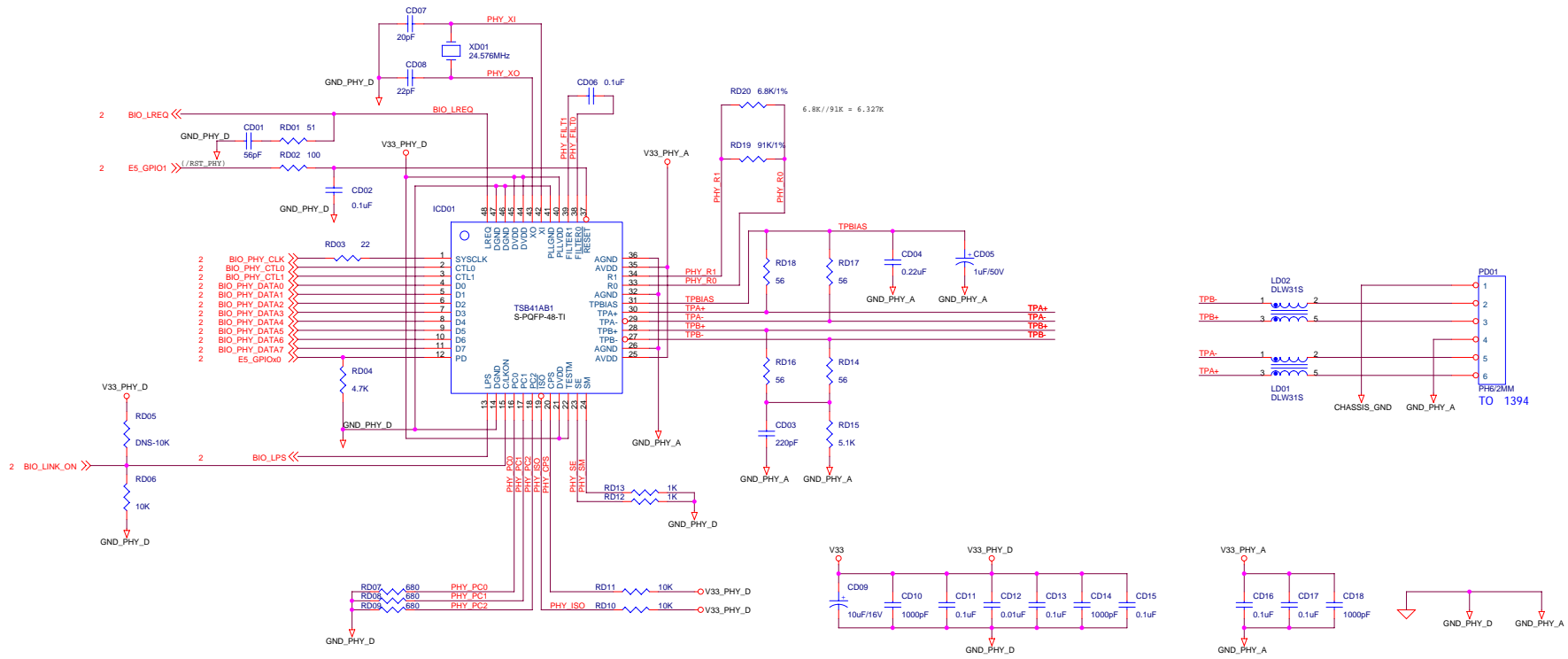
DRAWN	DESIGNED	CHECKED	APPROVED	MODEL	DF-L72B1N-BJ
D.Y.Kwak	D.Y.Kwak	S.D.Park	B.Y.Choi	FILE NAME	DF-L72B1N-BJ.dsn
				DATE	Monday, May 31, 2004
				REVISED	LPP
1 Team				REV NO.	1.0 SHEET 6 / 9
DAEWOO ELECTRONICS Digital Media Lab.				06 : FLASH & ATA	



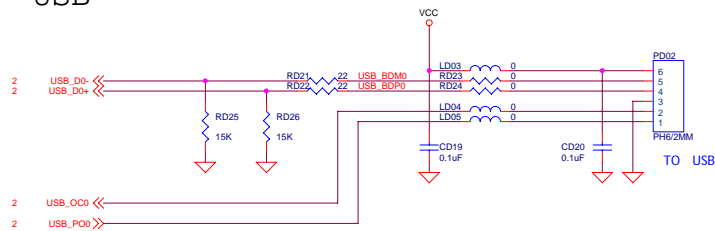
DRAWN	DESIGNED	CHECKED	APPROVED	MODEL	DF-L72B1N-BJ
				FILE NAME	DF-L72B1N-BJ.dsn
				DATE	Monday, May 31, 2004
Y.S.Kim	Y.S.Kim	S.D.Park	S.H.Eun	REVISED	LPP
1 Team			REV NO.	2.0	SHEET 6 / 10
DAEWOO ELECTRONICS Digital Media Lab.			06 : HI-FI		

1394

FIREWIRE PHY



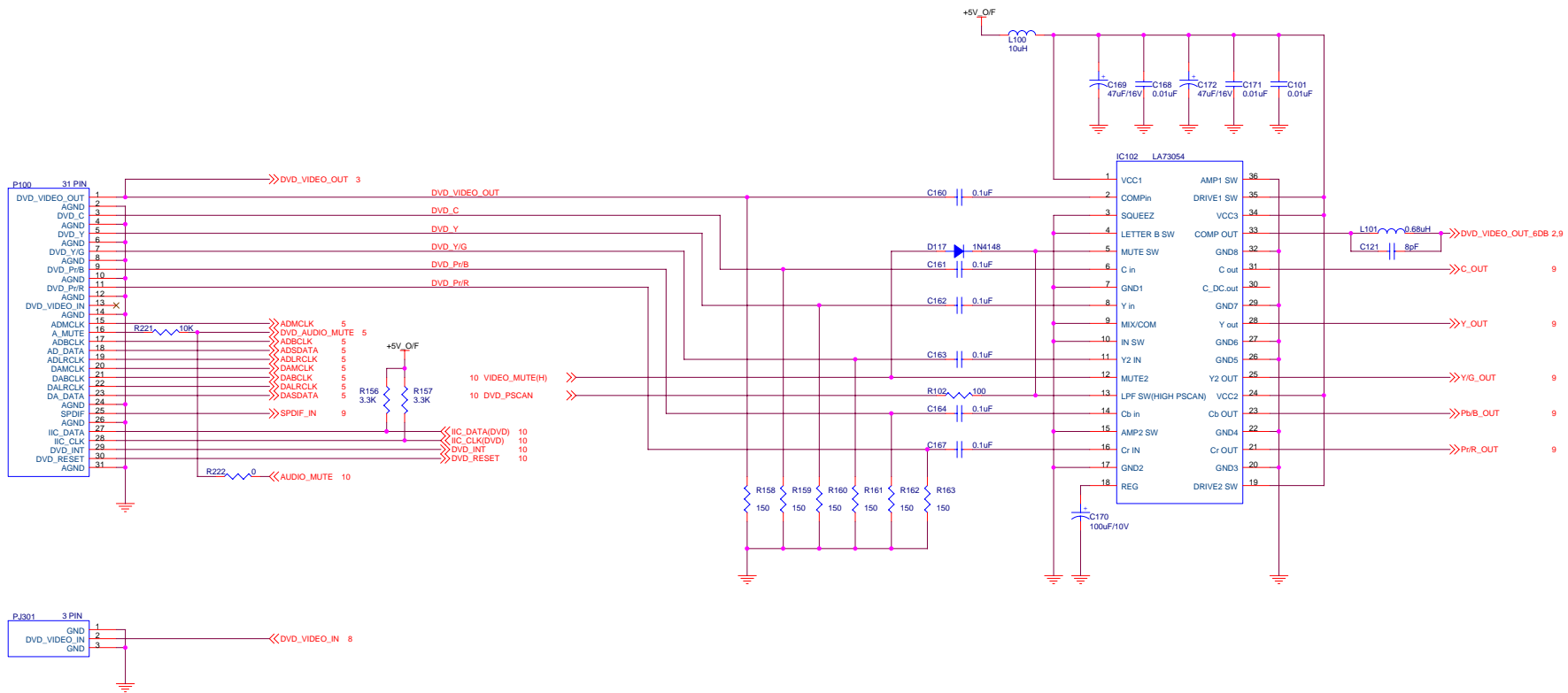
USB



DRAWN	DESIGNED	CHECKED	APPROVED	MODEL	DF-L72B1N-BJ
				FILE NAME	DF-L72B1N-BJ.dsn
				DATE	Monday, May 31, 2004
				REVISED	LPP
1 Team				REV NO.	1.0 SHEET 7 / 9
DAEWOO ELECTRONICS Digital Media Lab.				07 : 1394 PHY	

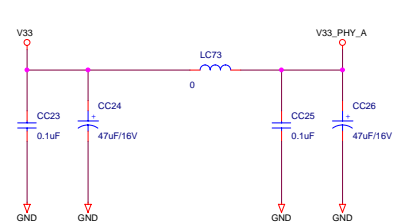
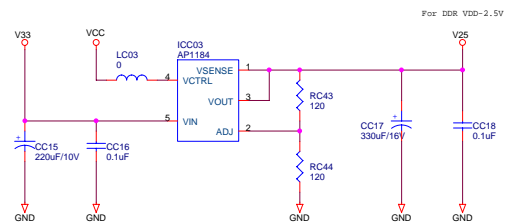
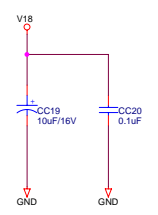
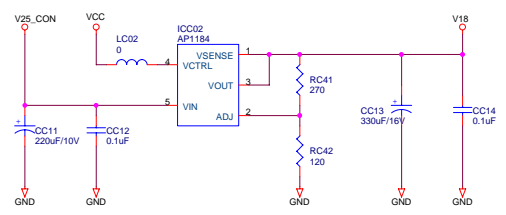
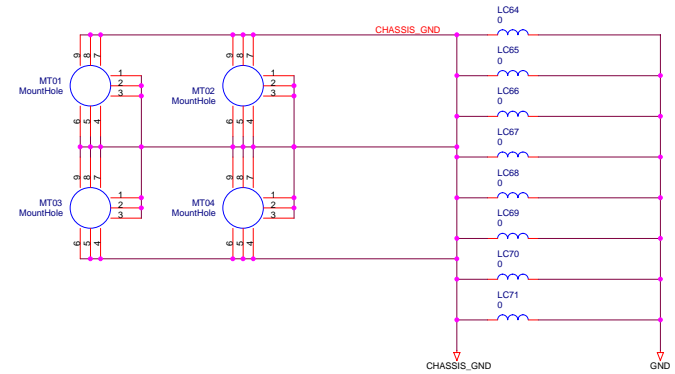
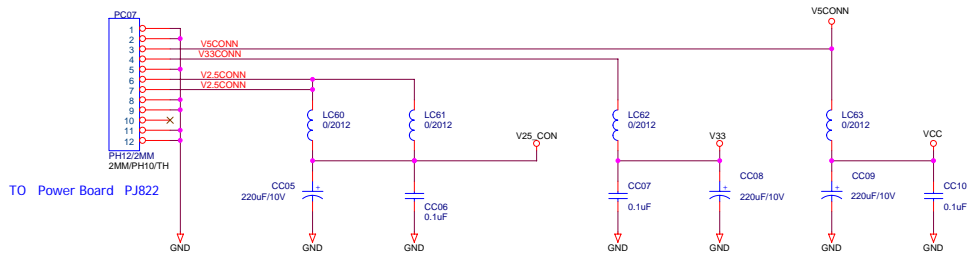
TO Digital Board PC01

TO Digital Board PC03



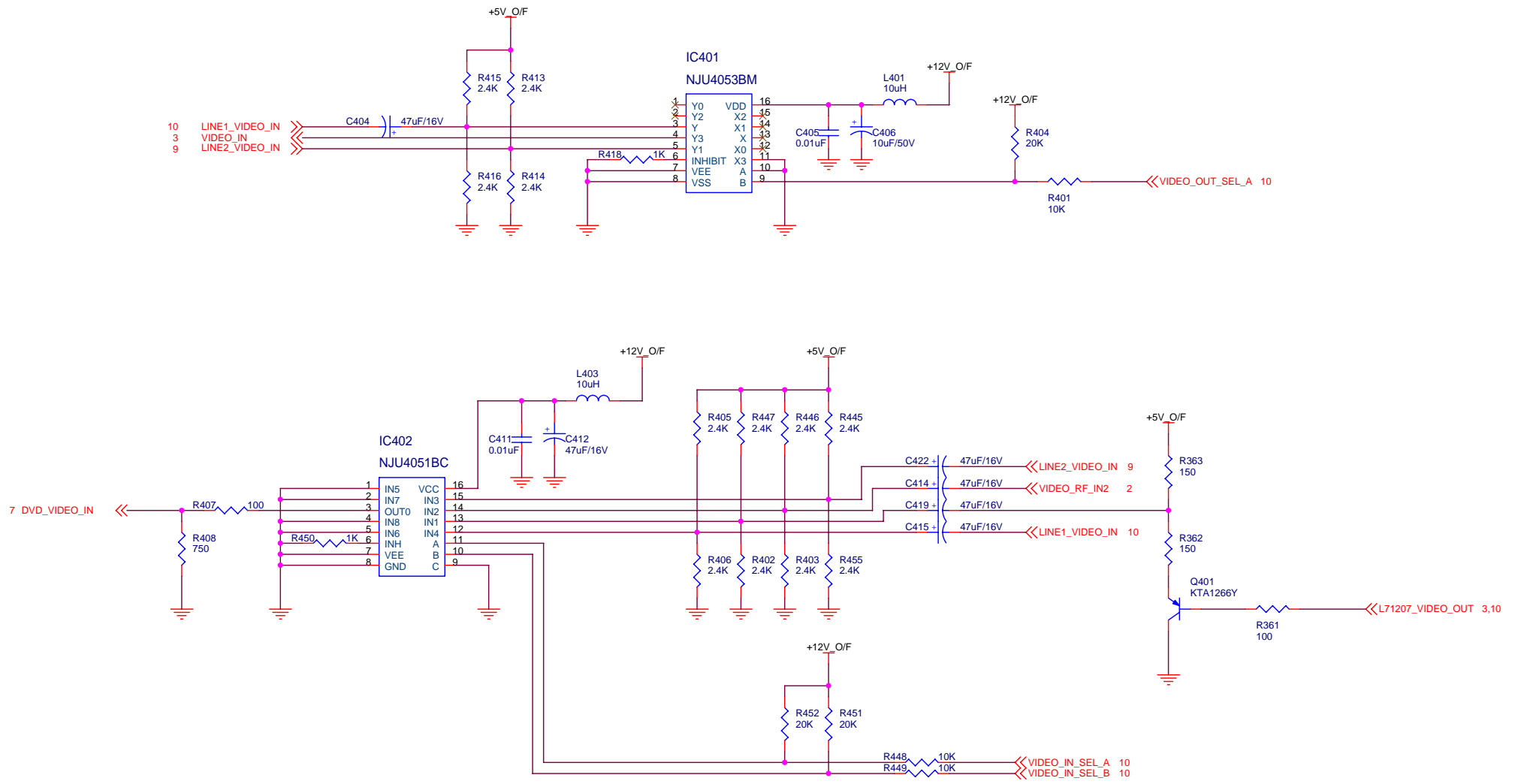
DRAWN	DESIGNED	CHECKED	APPROVED	MODEL	DF-L72B1N-BJ
				FILE NAME	DF-L72B1N-BJ.dsn
				DATE	Monday, May 31, 2004
M.K.Lee	M.K.Lee	S.D.Park	S.H.Eun	REVISED	LPP
1 Team			REV NO.	2.0	SHEET 7 / 10
DAEWOO ELECTRONICS Digital Media Lab.			07 : VIDEO IN/OUT		

# MAIN POWER CONN

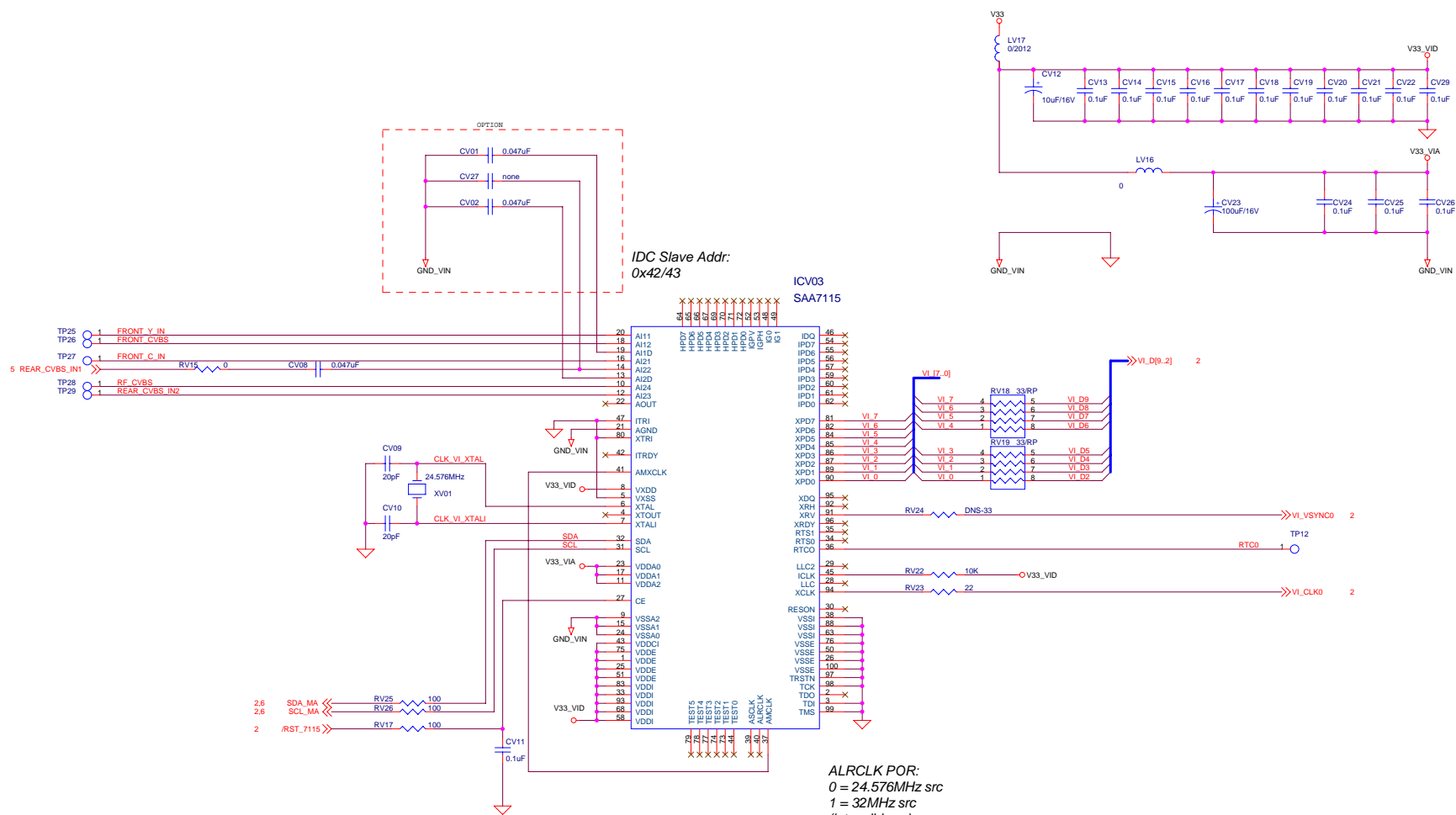


DRAWN	DESIGNED	CHECKED	APPROVED	MODEL	DF-L72B1N-BJ
				FILE NAME	DF-L72B1N-BJ.dsn
				DATE	Monday, May 31, 2004
W.K.lhm	W.K.lhm	S.D.Park	B.Y.Choi	REVISED	LPP
1 Team			REV NO.	1.0	SHEET 8 / 9
DAEWOO ELECTRONICS Digital Media Lab.			08 : PWR CONN		





DRAWN	DESIGNED	CHECKED	APPROVED	MODEL	DF-L72B1N-BJ
				FILE NAME	DF-L72B1N-BJ.dsn
				DATE	Monday, May 31, 2004
J.H.Lim	J.H.Lim	S.D.Park	S.H.Eun	REVISED	LPP
1 Team			REV NO.	2.0	SHEET 8 / 10
DAEWOO ELECTRONICS Digital Media Lab.			08 : VIDEO SWITCH		



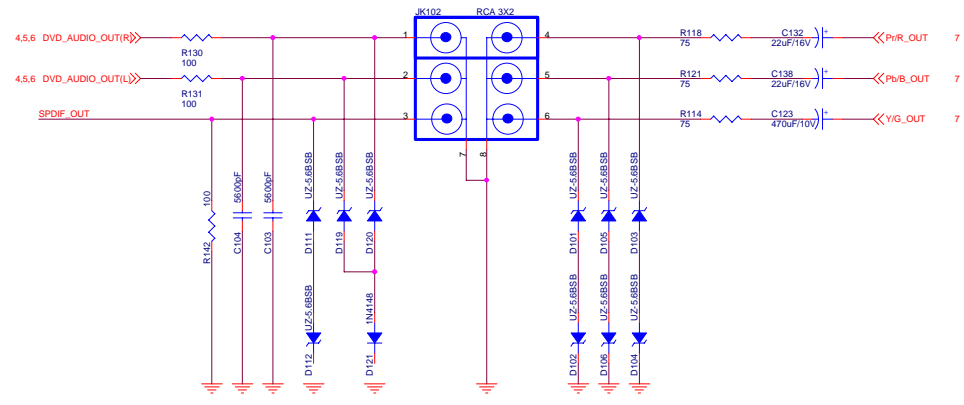
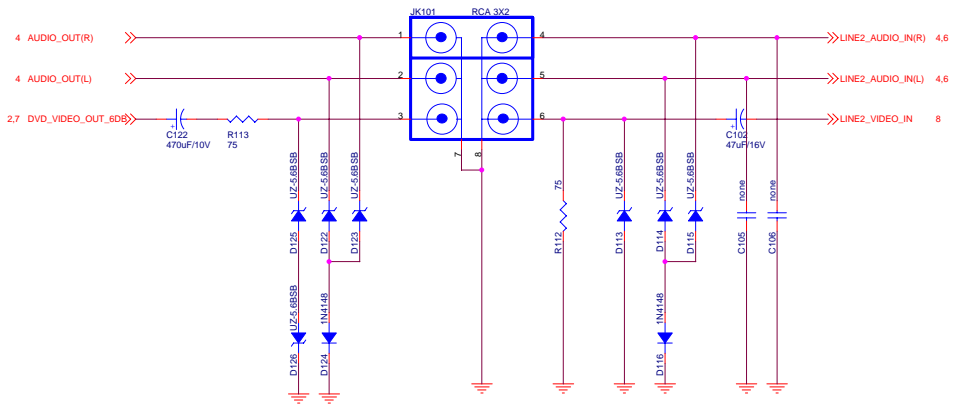
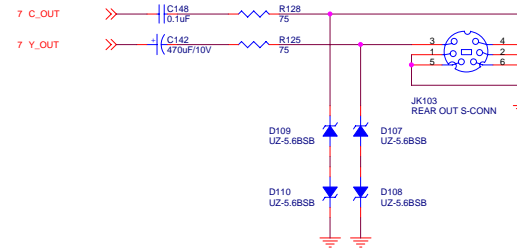
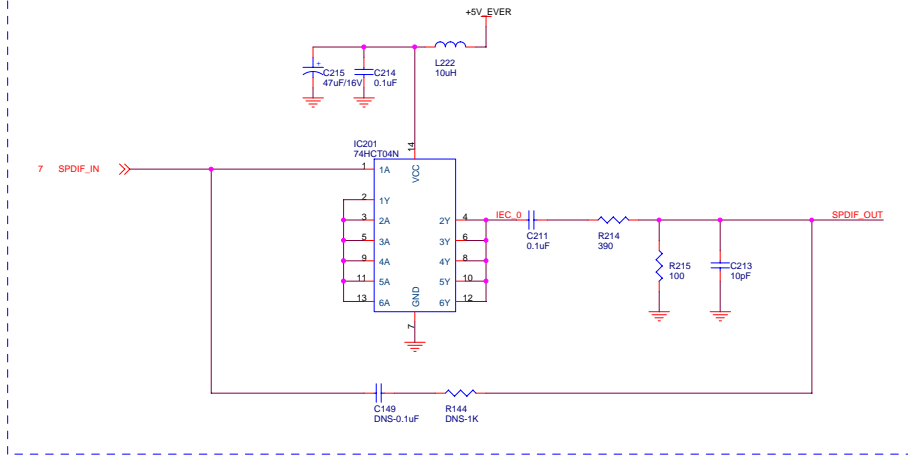
ICV03  
SAA7115

IDC Slave Addr:  
0x42/43

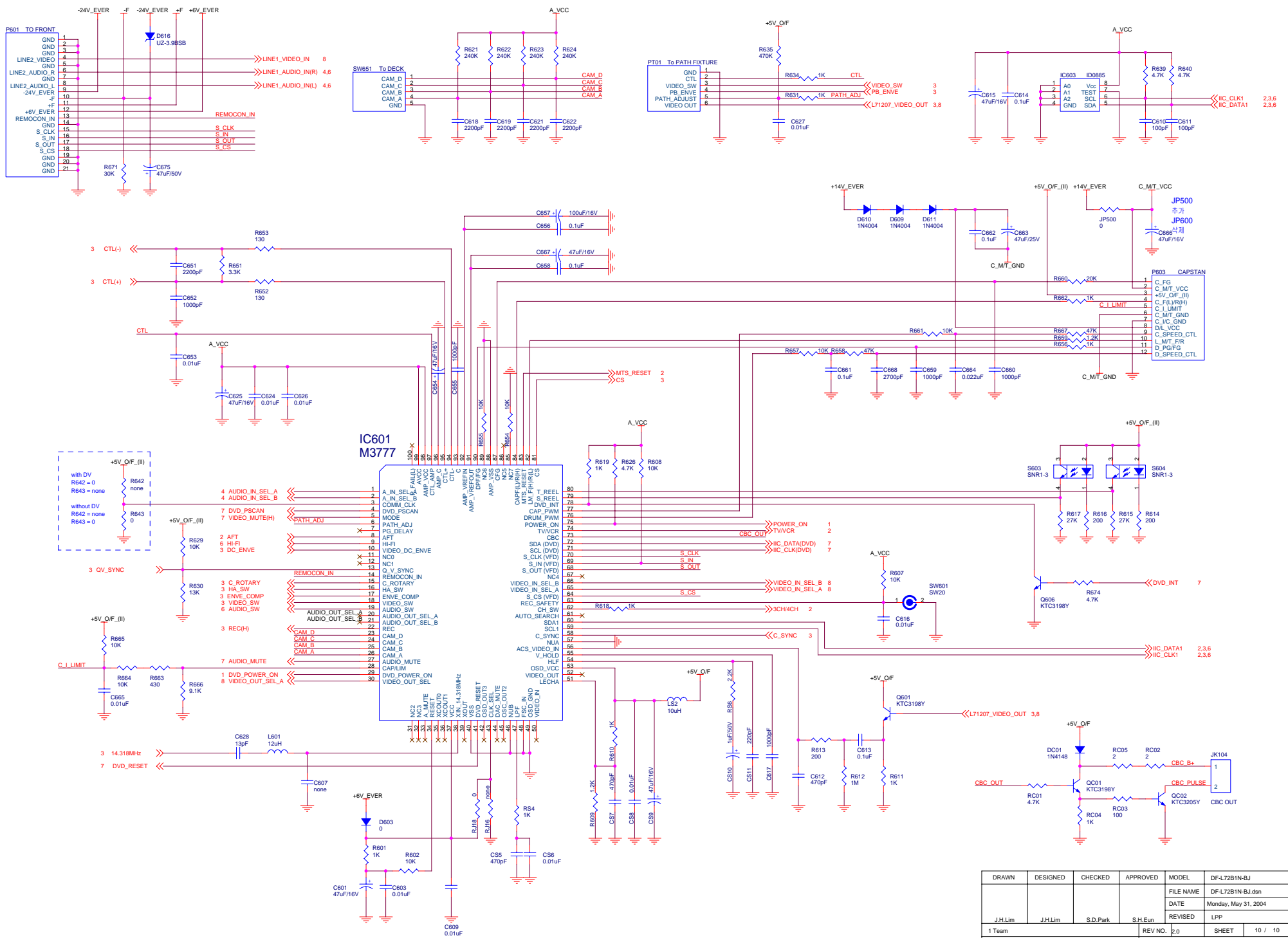
ALRCLK POR:  
0 = 24.576MHz src  
1 = 32MHz src  
(int. pulldown)

DRAWN	DESIGNED	CHECKED	APPROVED	MODEL	DF-L72B1N-BJ
				FILE NAME	DF-L72B1N-BJ.dsn
				DATE	Monday, May 31, 2004
M.K.Lee	M.K.Lee	S.D.Park	B.Y.Choi	REVISED	LPP
1 Team				REV. NO.	1.0 SHEET 9 / 9
DAEWOO ELECTRONICS Digital Media Lab.				10 - VIDEO IN _SAA7115	

# DIGITAL AUDIO OUT



DRAWN	DESIGNED	CHECKED	APPROVED	MODEL	DF-L72B1N-BJ
				FILE NAME	DF-L72B1N-BJ.dsn
				DATE	Monday, May 31, 2004
J.H.Lim	J.H.Lim	S.D.Park	S.H.Eun	REVISED	LPP
1 Team			REV NO.	2.0	SHEET 9 / 10
DAEWOO ELECTRONICS Digital Media Lab.			09 : DIGITAL AUDIO OUT & JACK		

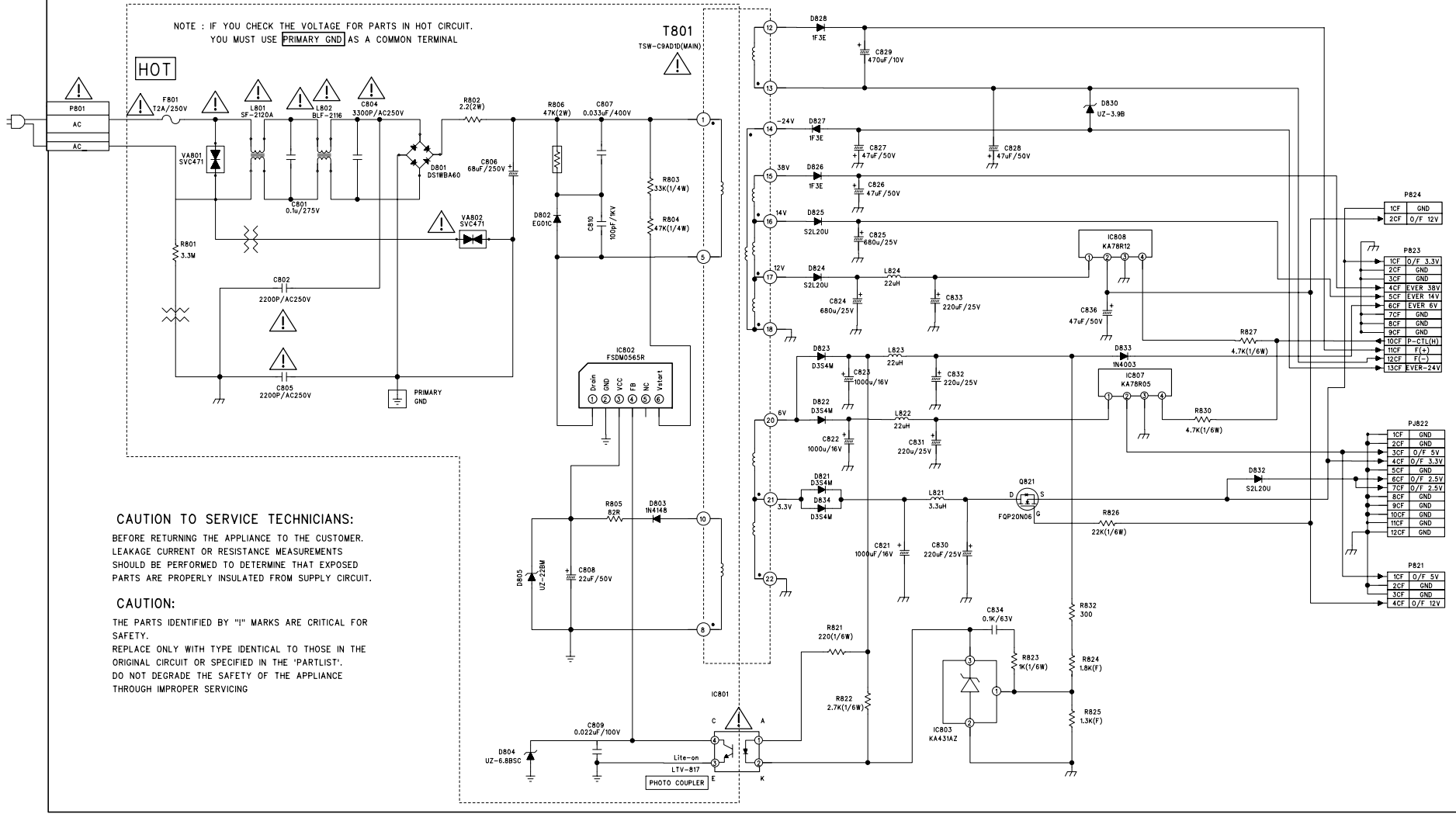


DRAWN	DESIGNED	CHECKED	APPROVED	MODEL	DF-L7281N-BJ
				FILE NAME	DF-L7281N-BJ.dsn
				DATE	Monday, May 31, 2004
J.H.Lim	J.H.Lim	S.D.Park	S.H.Eun	REVISED	LPP
1 Team				REV NO.	2.0 SHEET 10 / 10
DAEWOO ELECTRONICS Digital Media Lab.				10 : MICOM	

# POWER SUPPLY SCHEMATIC DIAGRAM (VCR DVD+RW Combo AC120V)

HOT CIRCUIT. BE CAREFUL AND USE AN ISOLATION TRANSFORMER WHEN SERVICING

NOTE : IF YOU CHECK THE VOLTAGE FOR PARTS IN HOT CIRCUIT. YOU MUST USE PRIMARY GND AS A COMMON TERMINAL



**CAUTION TO SERVICE TECHNICIANS:**

BEFORE RETURNING THE APPLIANCE TO THE CUSTOMER. LEAKAGE CURRENT OR RESISTANCE MEASUREMENTS SHOULD BE PERFORMED TO DETERMINE THAT EXPOSED PARTS ARE PROPERLY INSULATED FROM SUPPLY CIRCUIT.

**CAUTION:**

THE PARTS IDENTIFIED BY "!" MARKS ARE CRITICAL FOR SAFETY. REPLACE ONLY WITH TYPE IDENTICAL TO THOSE IN THE ORIGINAL CIRCUIT OR SPECIFIED IN THE 'PARTLIST'. DO NOT DEGRADE THE SAFETY OF THE APPLIANCE THROUGH IMPROPER SERVICING