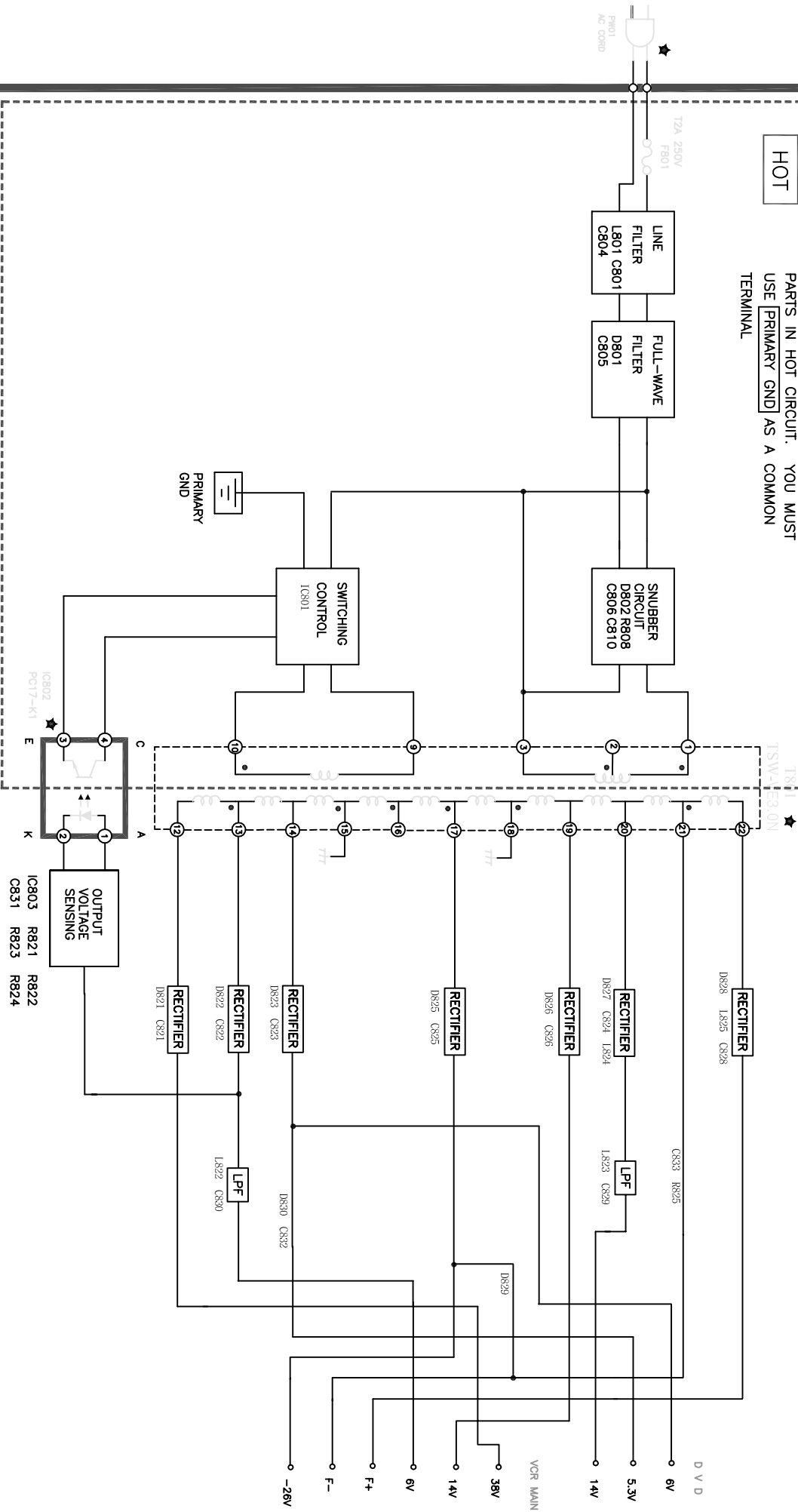


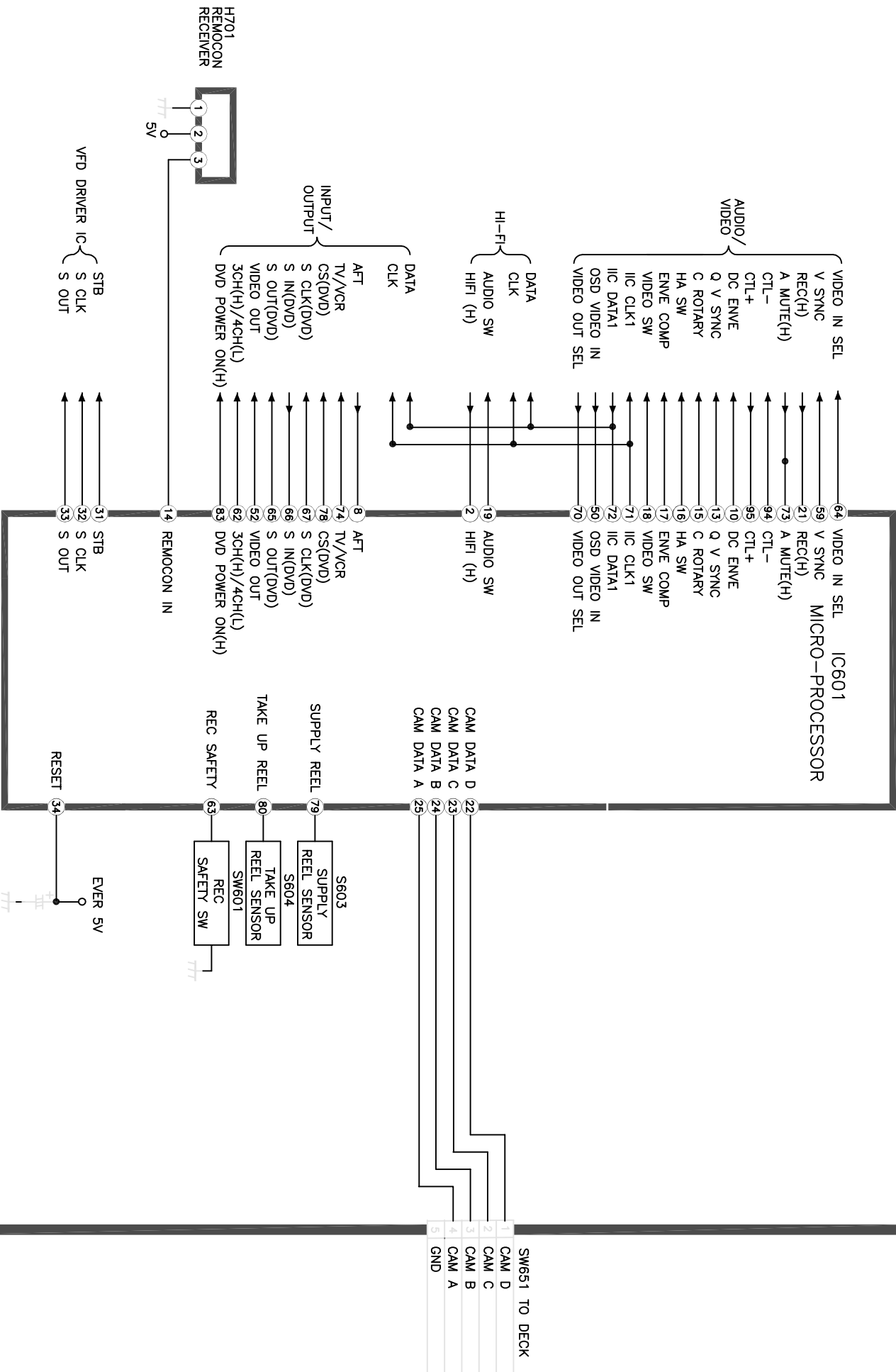
# POWER SUPPLY BLOCK DIAGRAM

HOT CIRCUIT. BE CAREFUL AND USE AN ISOLATION TRANSFORMER WHEN SERVICING

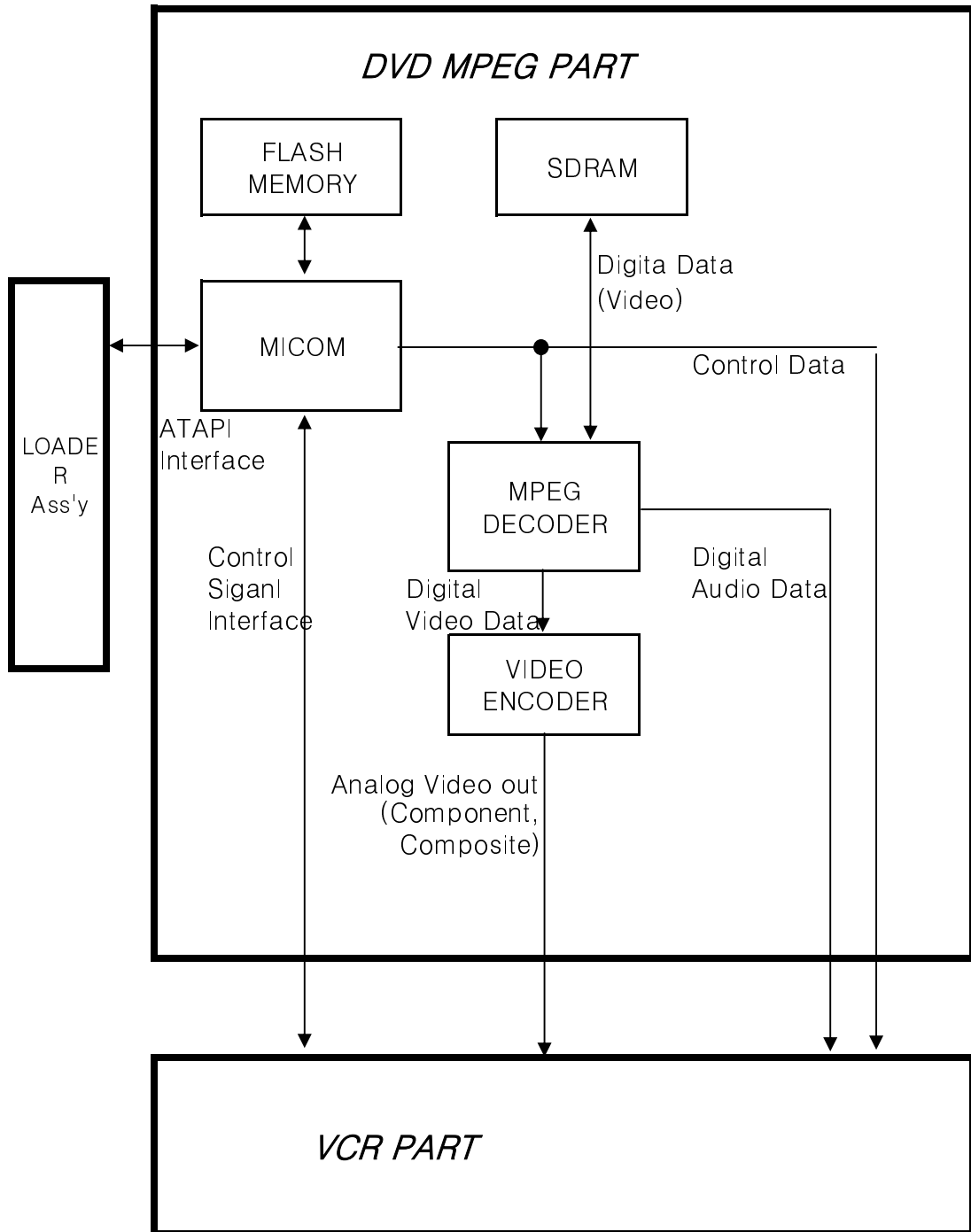
**HOT**  
 NOTE : IF YOU CHECK THE VOLTAGE FOR PARTS IN HOT CIRCUIT, YOU MUST USE [PRIMARY GND] AS A COMMON TERMINAL



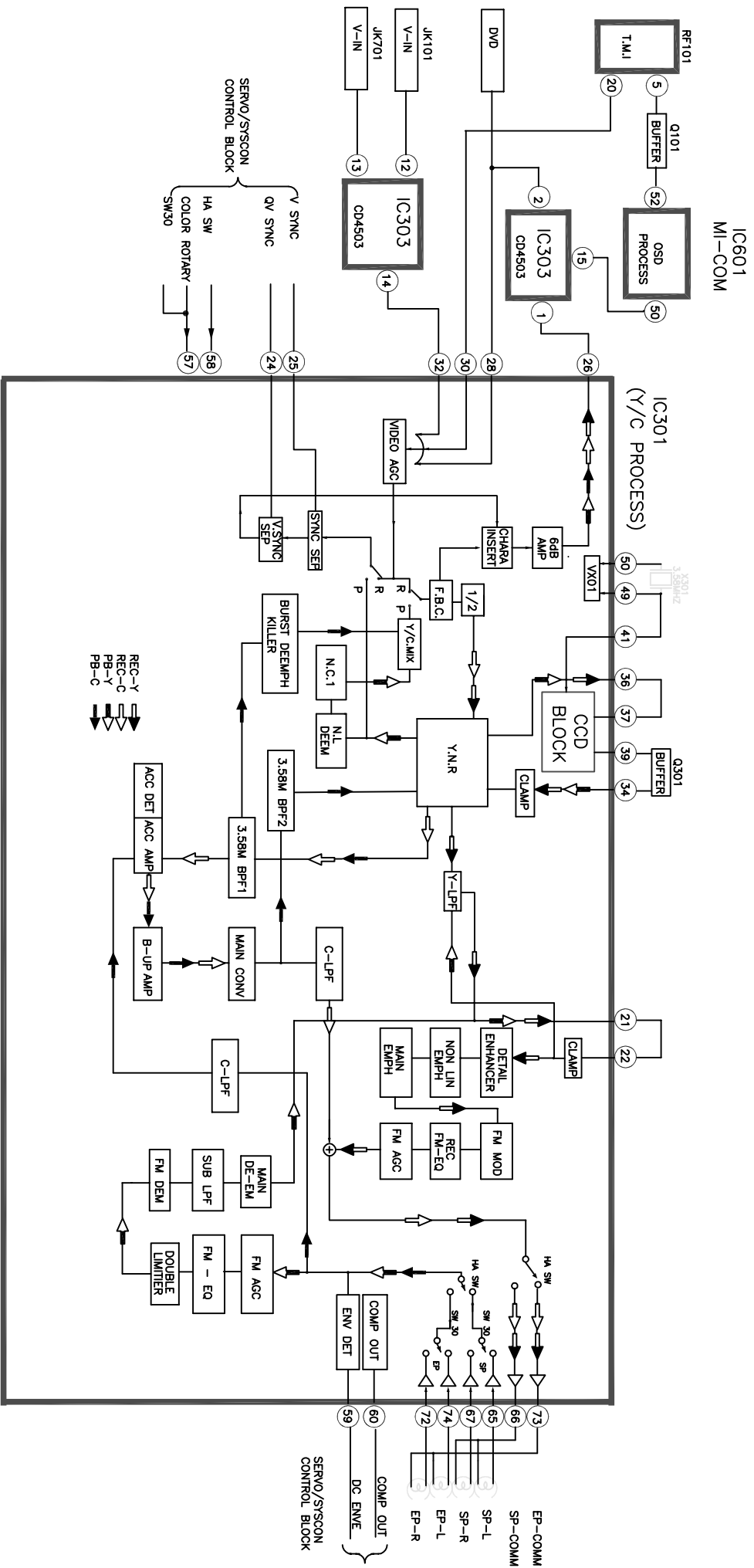
# SERVO & SYSCON BLOCK DIAGRAM



# DVD BLOCK DIAGRAM



# VIDEO BLOCK DIAGRAM



# Hi-Fi IC (AN3663) Switching Block

