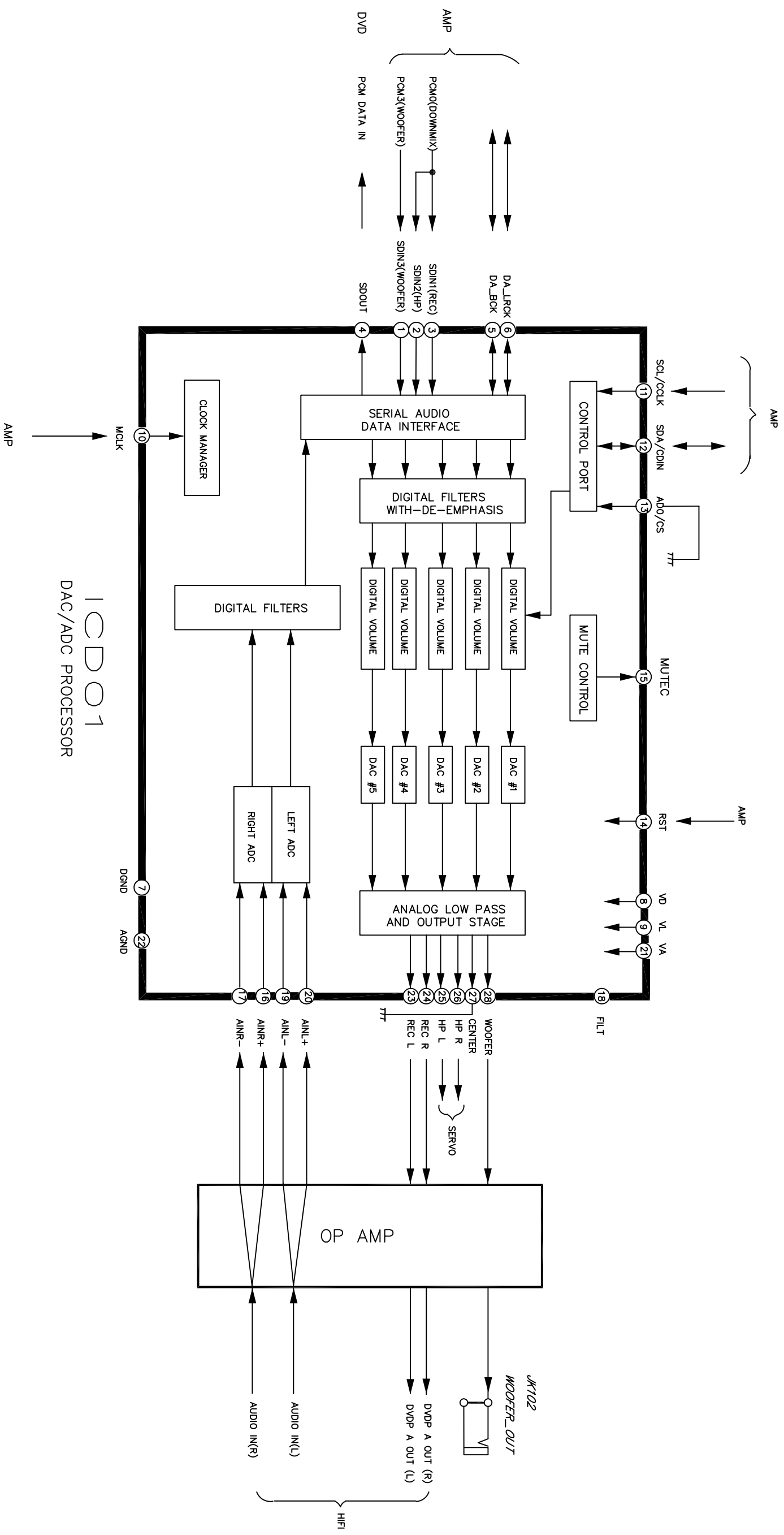
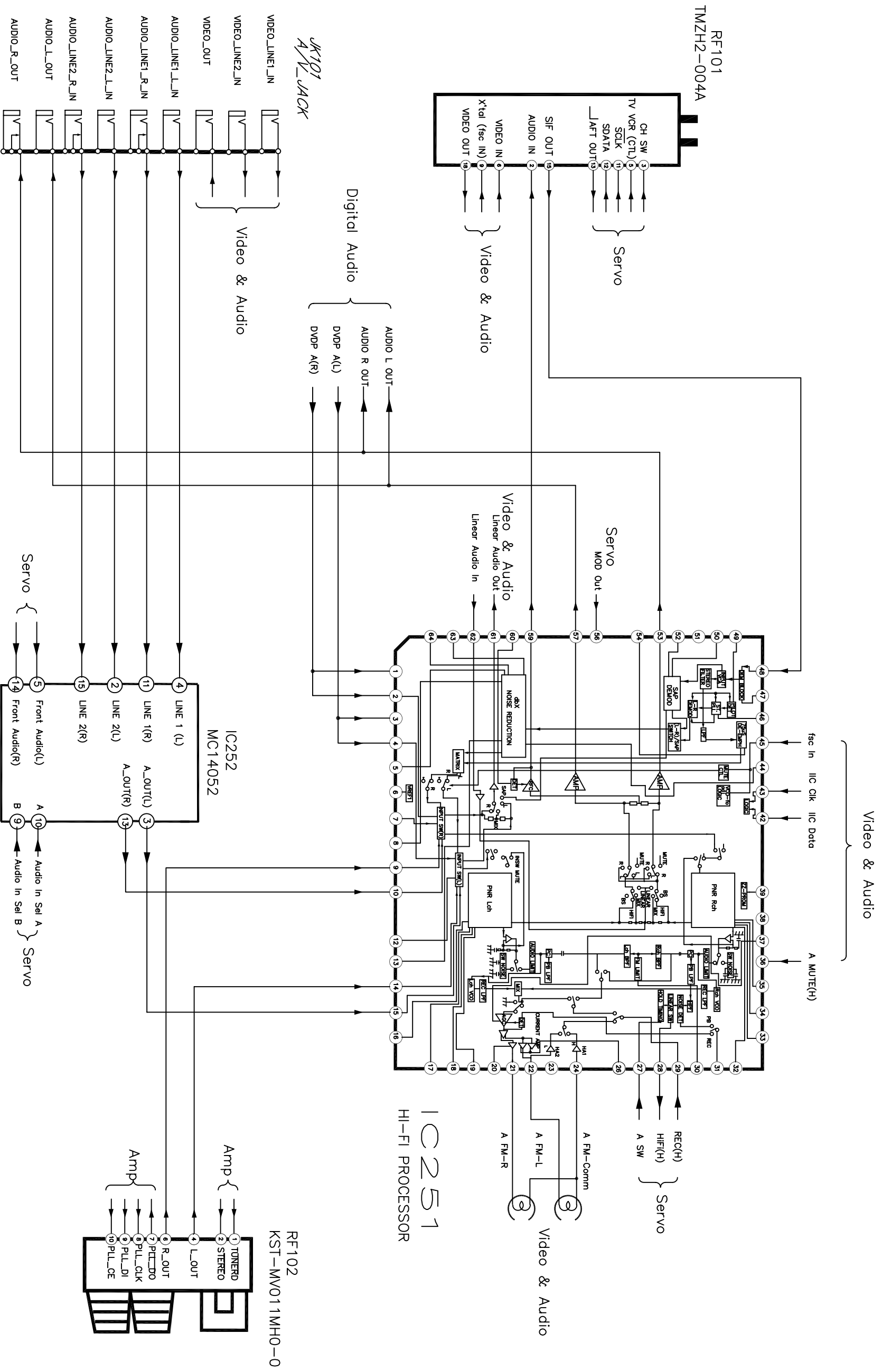


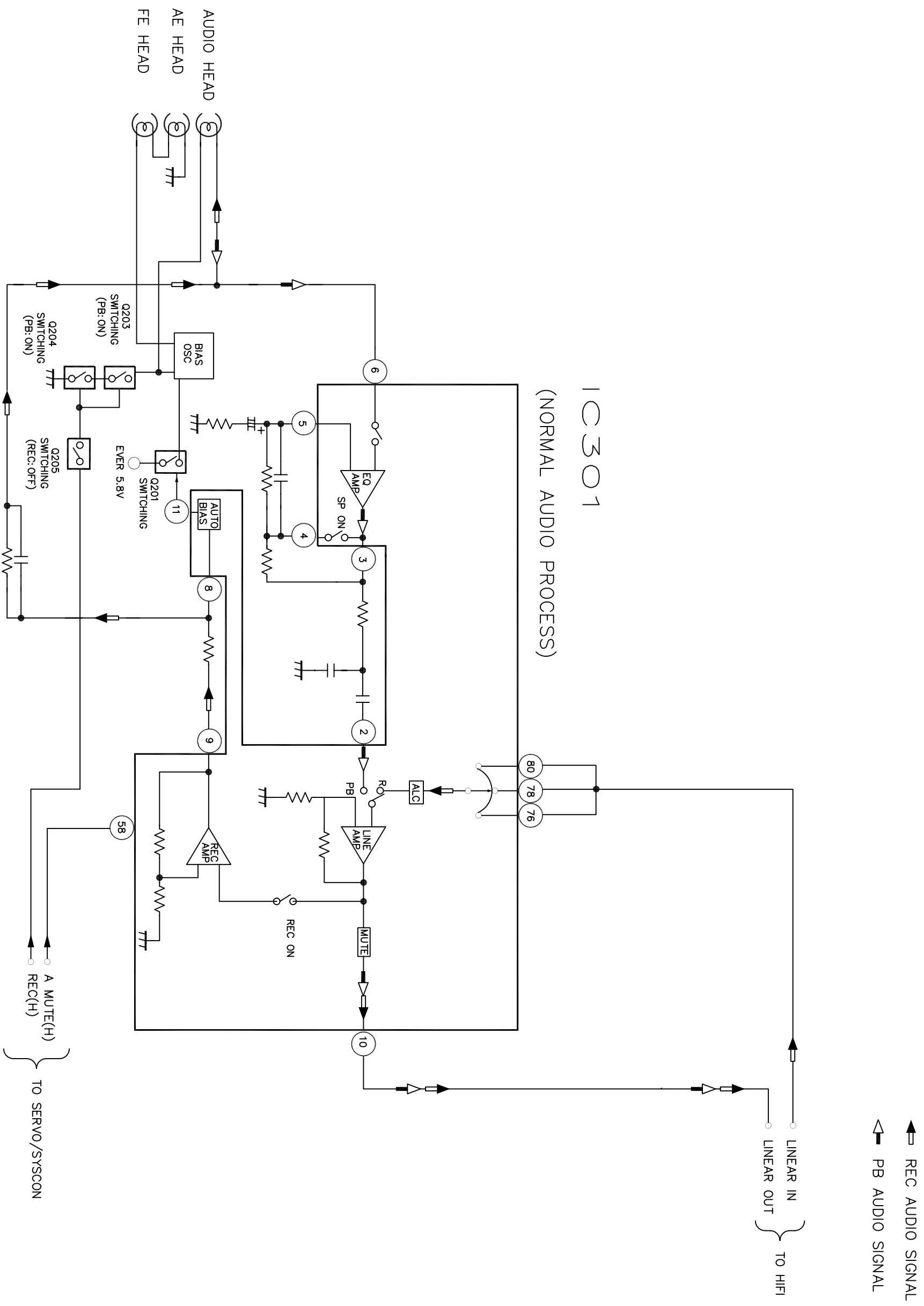
# DIGITAL AUDIO BLOCK DIAGRAM



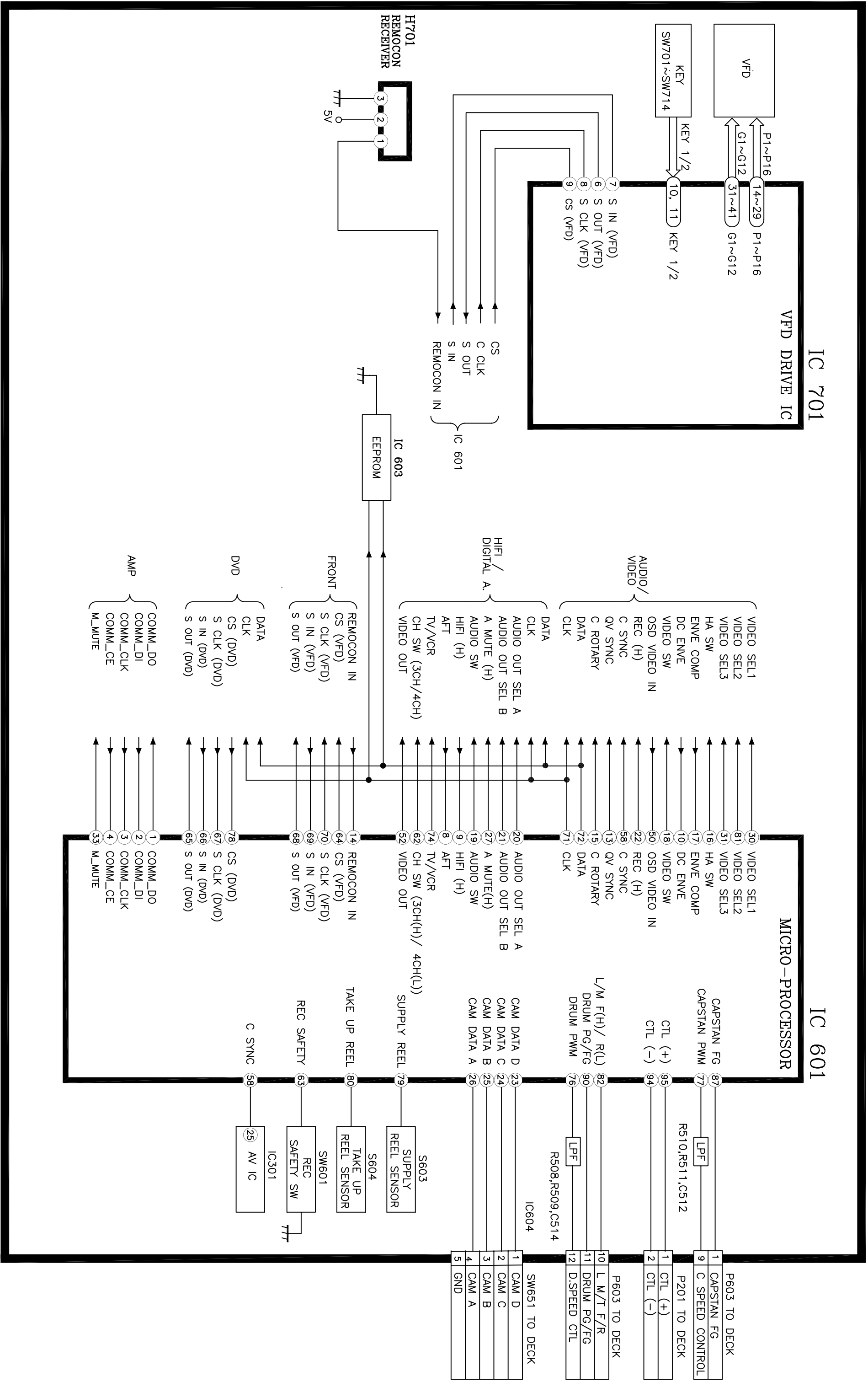
# HI-FI&S/W&PIF&BLOCK DIAGRAM



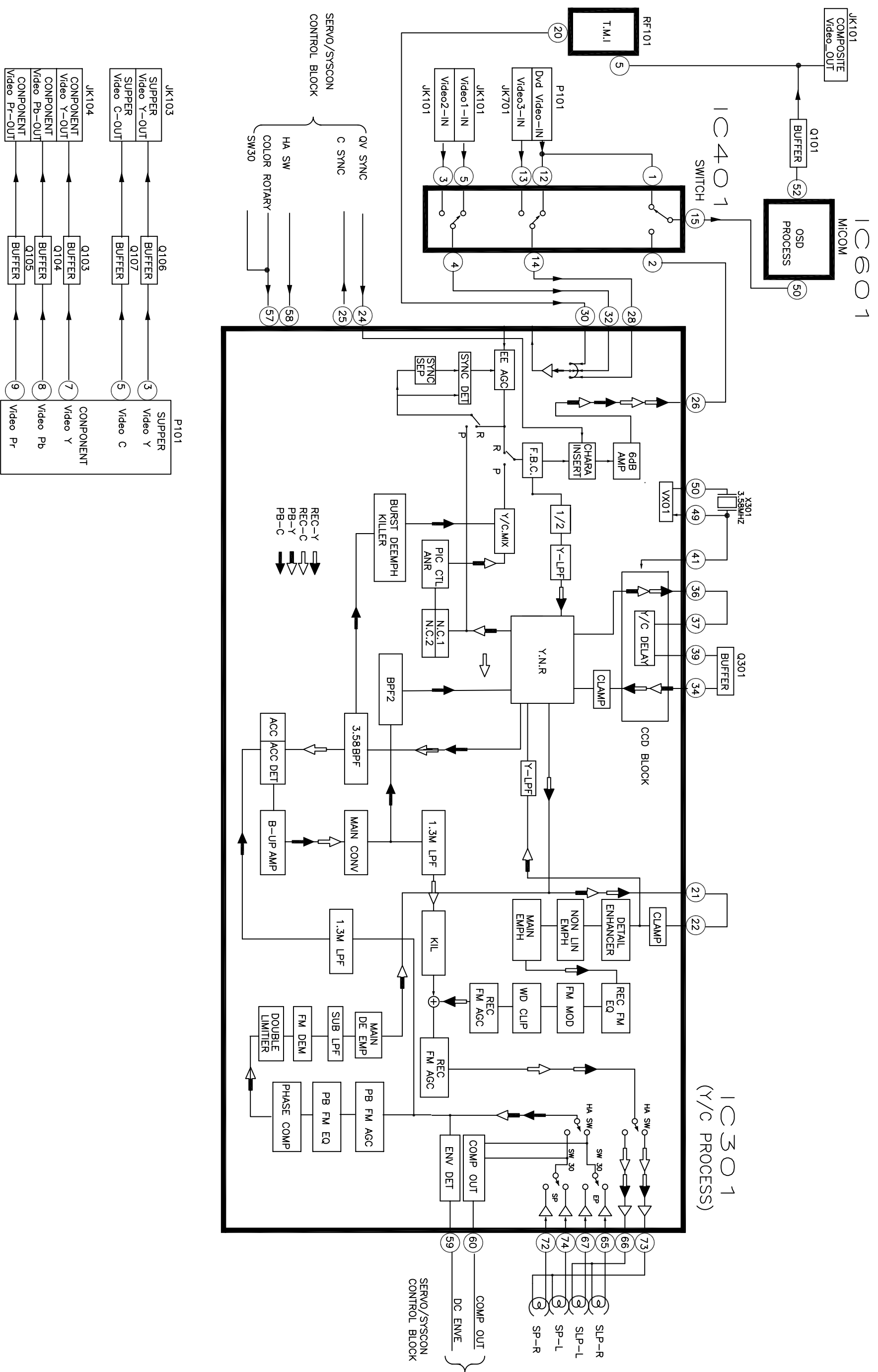
# NORMAL AUDIO BLOCK DIAGRAM



# RECEIVER SERVO & SYSCON BLOCK DIAGRAM



# COMBO RECEIVER VIDEO (VCR/DVD) BLOCK DIAGRAM

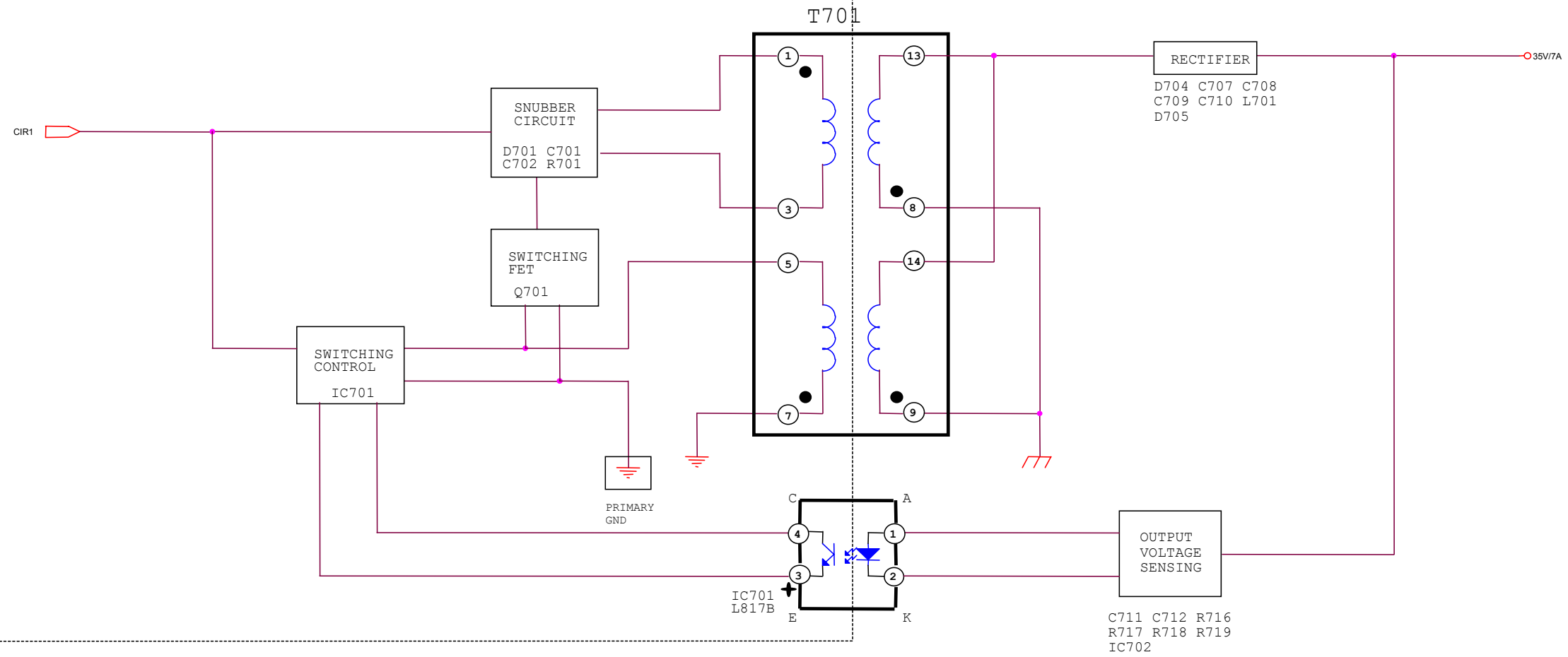


# POWER SUPPLY BLOCK DIAGRAM

HOT CIRCUIT. BE CAREFUL AND USE AN ISOLATION TRANSFORMER WHEN SERVICING

HOT

NOTE : IF YOU CHECK THE VOLTAGE FOR PARTS IN HOT CIRCUIT. YOU MUST USE PRIMARY GND AS A COMMON TERMINAL

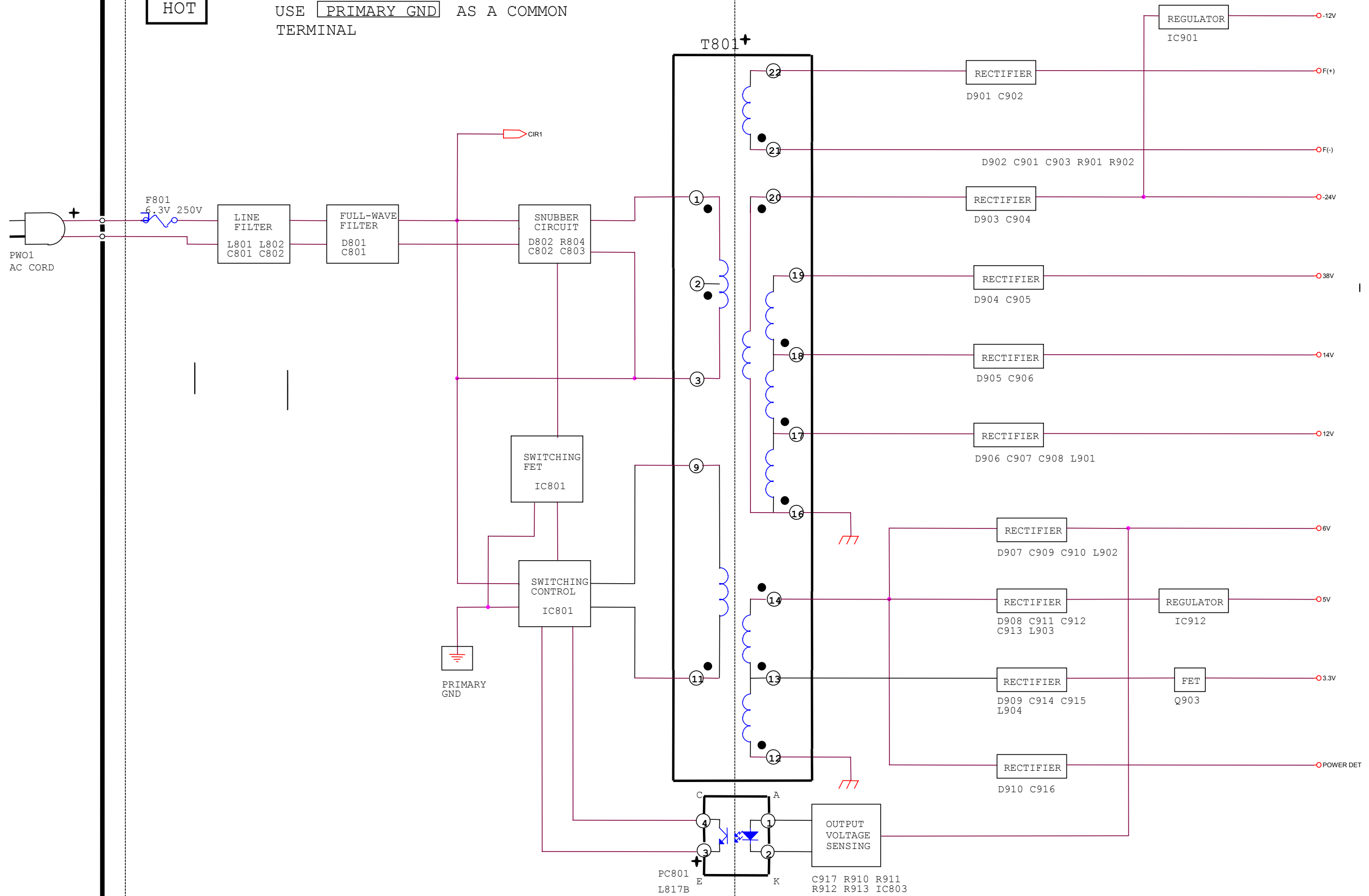


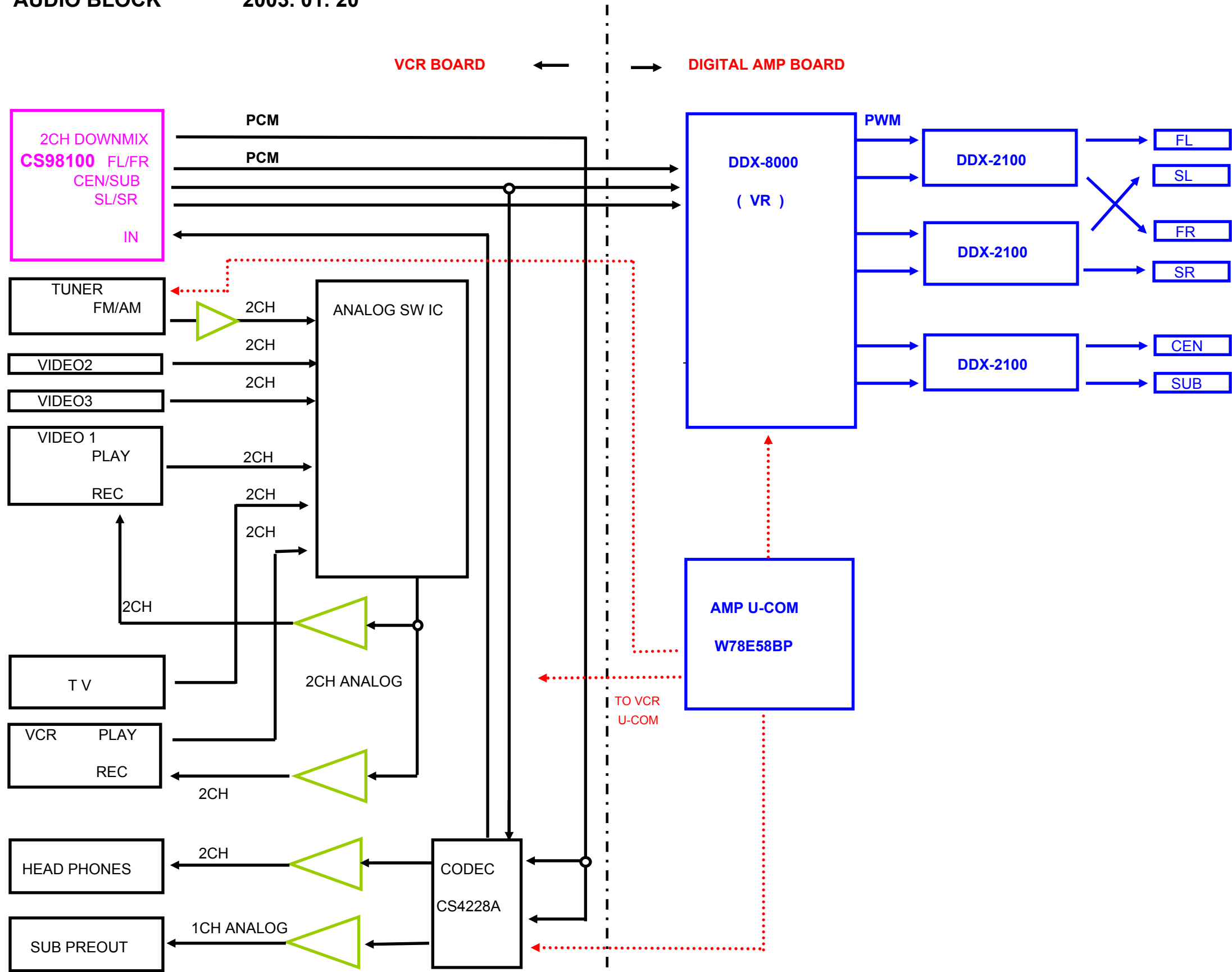
# POWER SUPPLY BLOCK DIAGRAM

HOT CIRCUIT. BE CAREFUL AND USE AN ISOLATION TRANSFORMER WHEN SERVICING

NOTE : IF YOU CHECK THE VOLTAGE FOR PARTS IN HOT CIRCUIT. YOU MUST USE PRIMARY GND AS A COMMON TERMINAL

HOT





VIDEO SIGNAL ROUTINE 제외