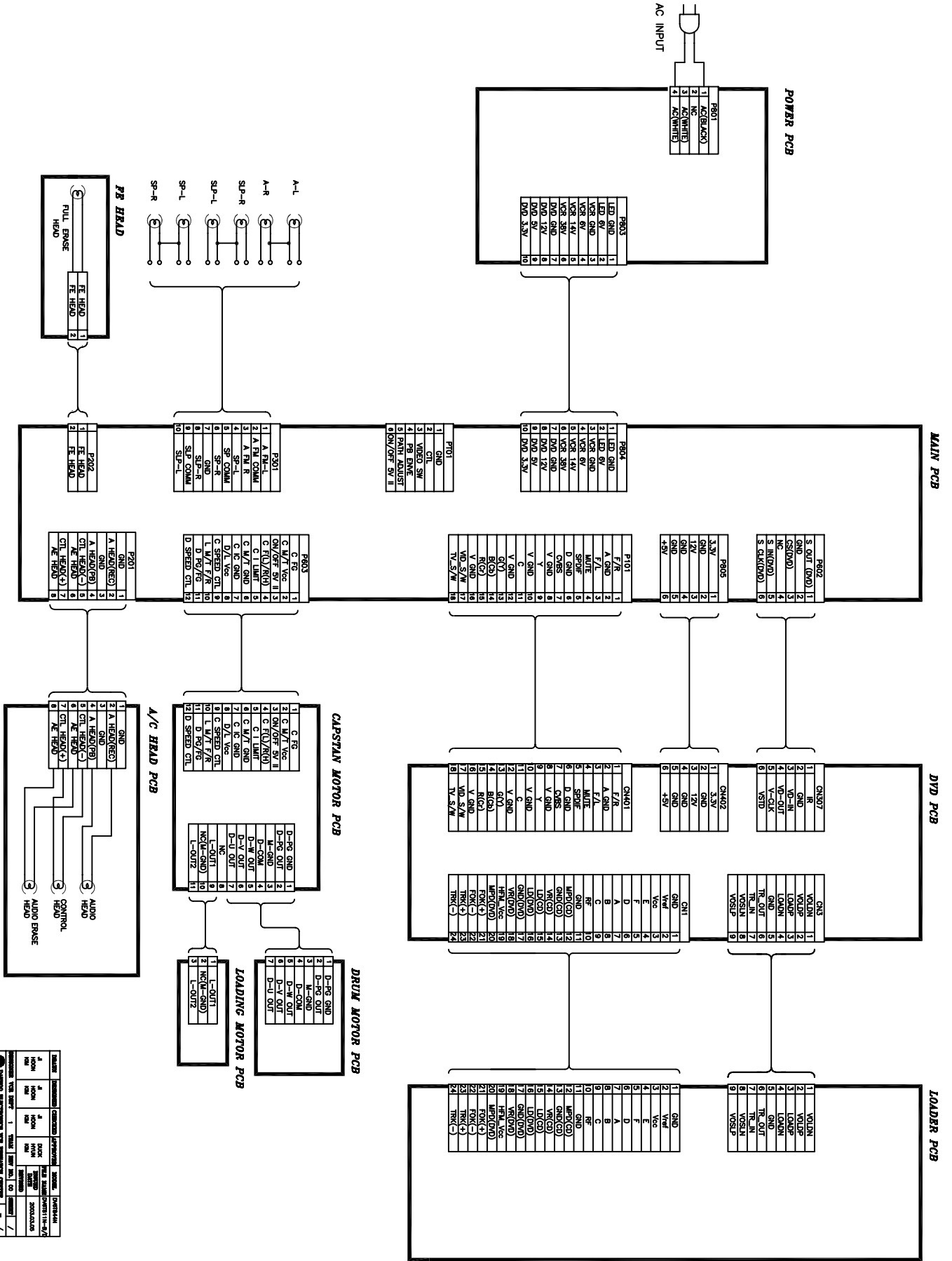


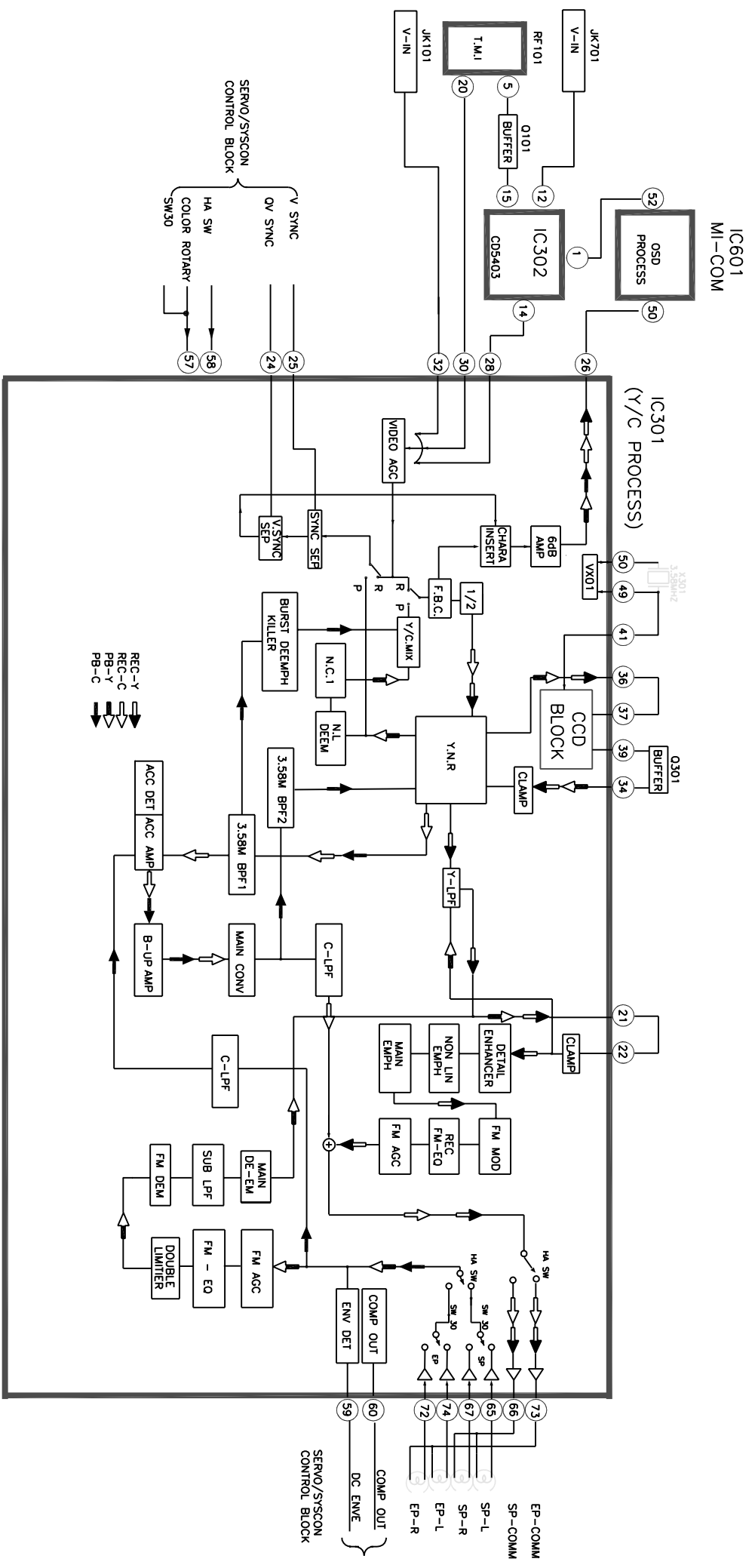
BLOCK DIAGRAM



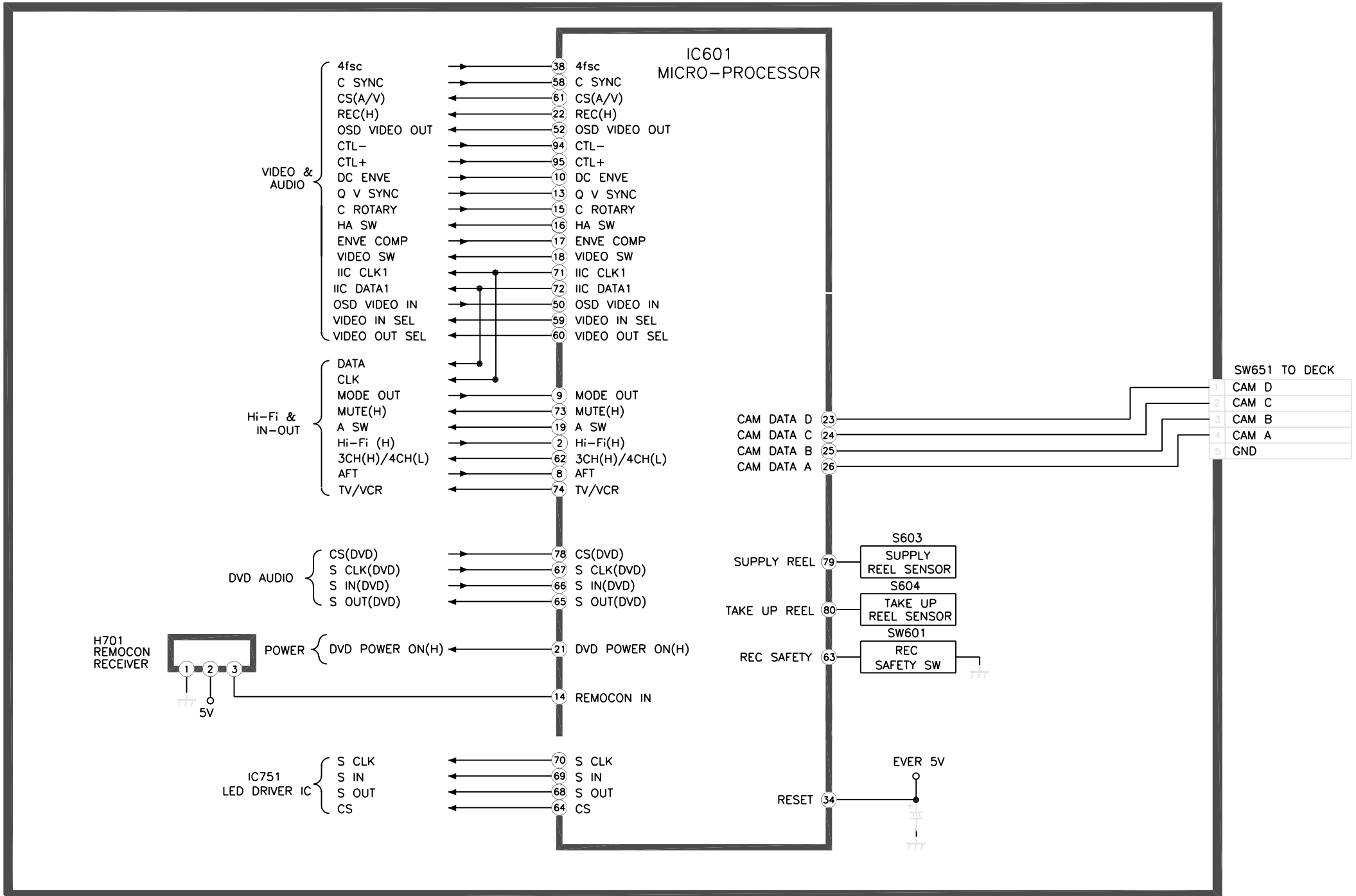
DATE	REVISION	DESCRIPTION	BY	CHKD	APPROVED
1	1	INITIAL	MM	MM	MM
2	2	REVISION	MM	MM	MM
3	3	REVISION	MM	MM	MM
4	4	REVISION	MM	MM	MM

AUDIO SUBSYSTEM VCA SUBSYSTEM CHASSIS

# VIDEO BLOCK DIAGRAM



# SERVO & SYSCON BLOCK DIAGRAM

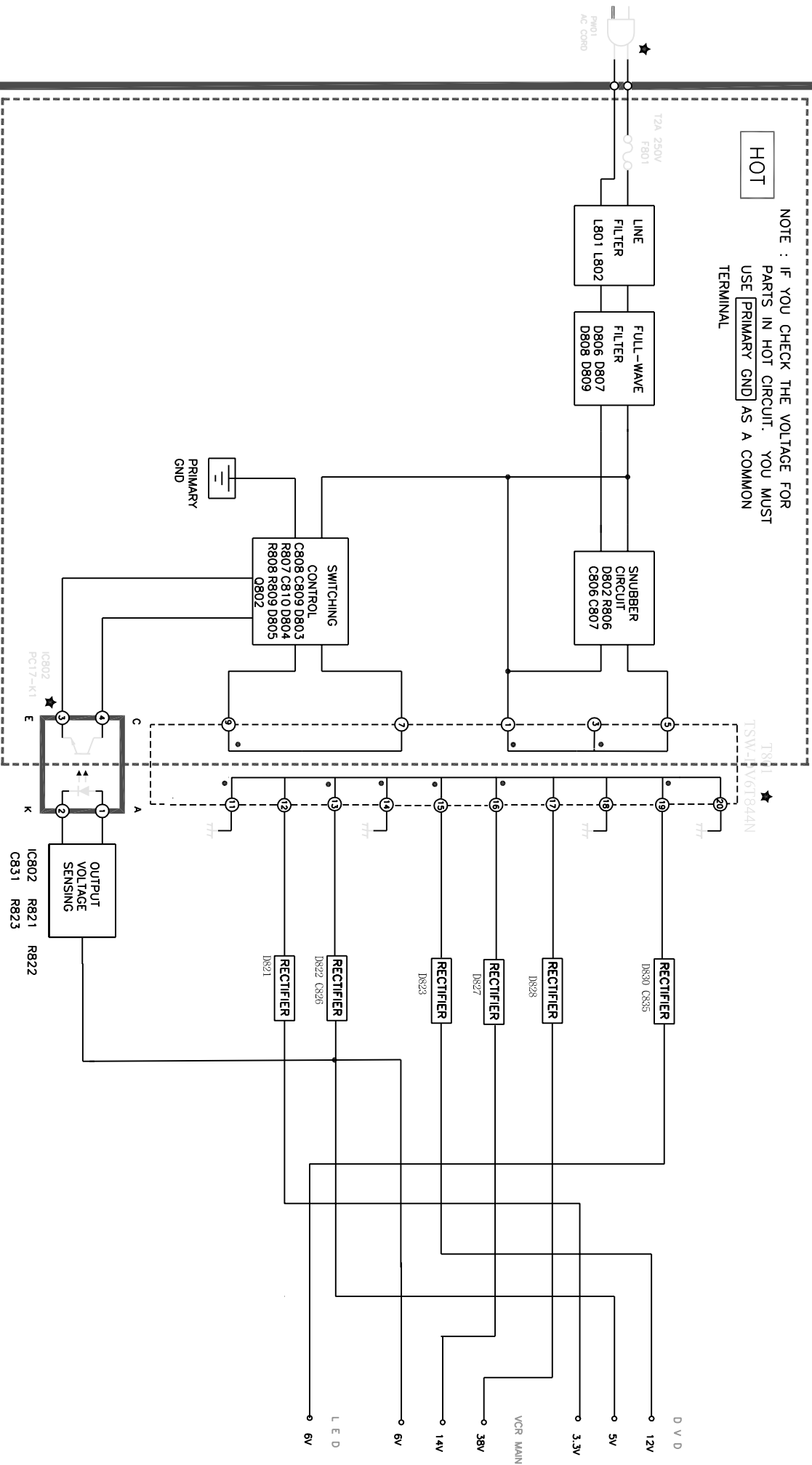


# POWER SUPPLY BLOCK DIAGRAM

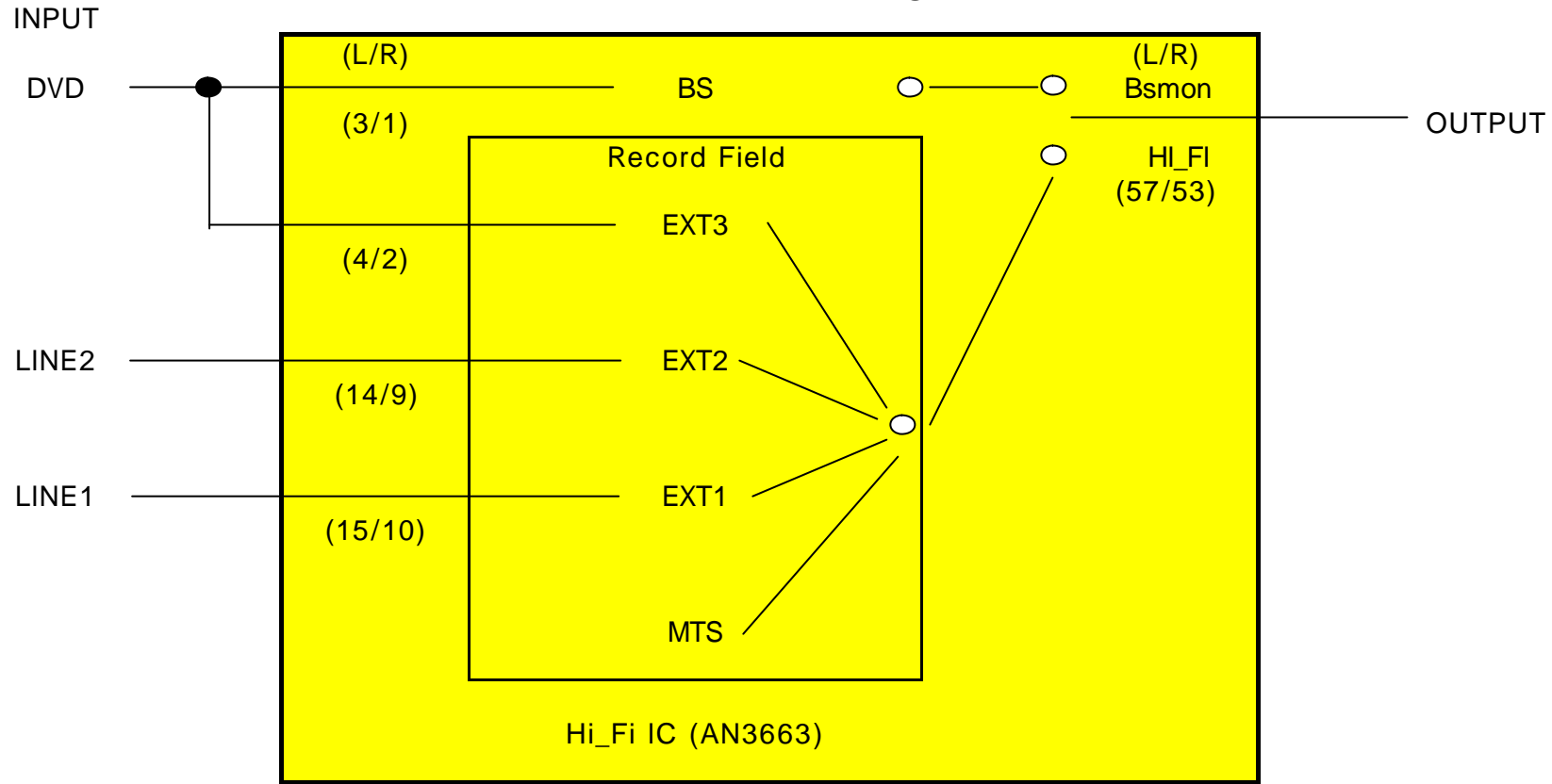
HOT CIRCUIT. BE CAREFUL AND USE AN ISOLATION TRANSFORMER WHEN SERVICING

**HOT**

NOTE : IF YOU CHECK THE VOLTAGE FOR PARTS IN HOT CIRCUIT. YOU MUST USE PRIMARY GND AS A COMMON TERMINAL



# Hi\_Fi IC (AN3663) Switching Block



# DVD BLOCK DIAGRAM

