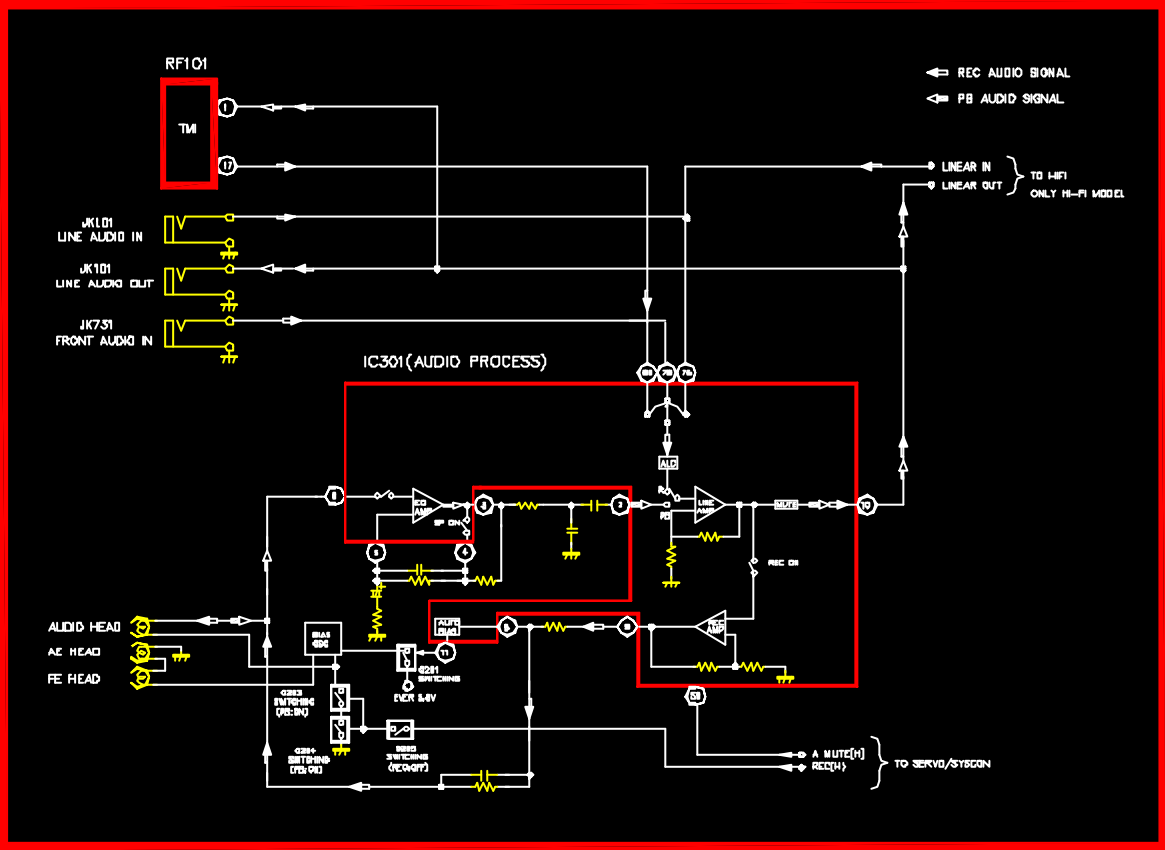


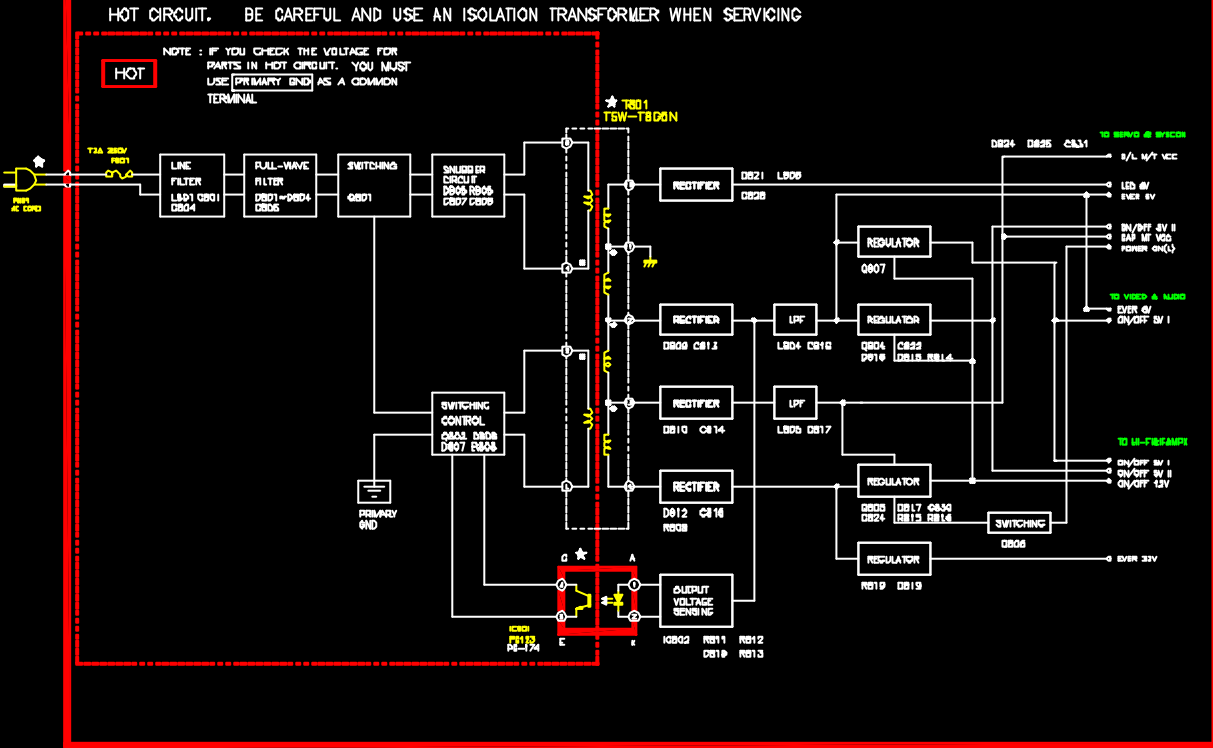
AUDIO BLOCK DIAGRAM



VC4250, VR556, VR661HF, VR706HF, VR706HF AUDIO BLOCK DIAGRAM REV1 2001 03.20

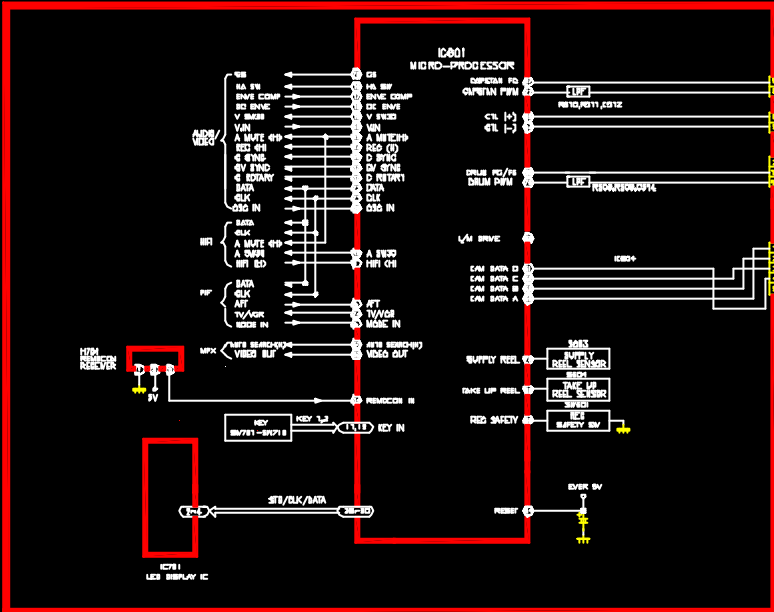


POWER SUPPLY BLOCK DIAGRAM



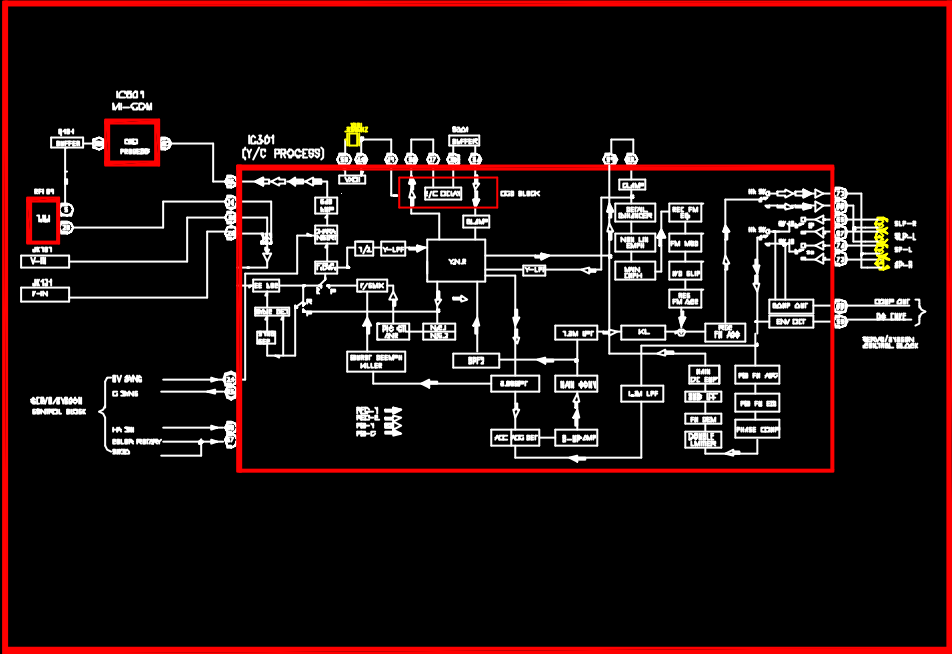
VR437HF/VR446/VG4044 POWER BLOCK DIAGRAM REV0 2001-12-04

SERVO & SYSCON BLOCK DIAGRAM



WESTER/1004/1004-1 SERVO & SYSCON BLOCK DIAGRAM REV.0 10/11/04

VIDEO BLOCK DIAGRAM



VCR20, VCR30, VCR31, VCR32, VCR33, VCR34, VCR35 VIDEO BLOCK BLOCK REV.1 2001.03.28