

**Ernesitne
Radiation Gain / Pattern
Test Report**

Version: 0.2

Project Name: Ernestine / Cooper

Antenna Type: PCB Antenna

Test Date: Aug. 4, 2006

Tested by: A Test Lab Technology Corp.

CONTENT

1. TEST SETUP4

1.1 TEST UNIT.....4

1.2 TEST EQUIPMENT4

2. TEST RESULT5

2.1 ANTENNA GAIN5

2.2 ANTENNA PATTERN5



Document History

Rev.	Date	Author	Reason for Changes
0.1	2006/08/03	Davis Wu / Andy Yen	<ul style="list-style-type: none">• First Release
0.2	2006/08/04	Davis Wu / Andy Yen	<ul style="list-style-type: none">• Add Antenna Type and update test result
0.3	2006/08/08	Davis Wu / Andy Yen	<ul style="list-style-type: none">• Keep maximum antenna gain only

FOXLINK

1. TEST SETUP

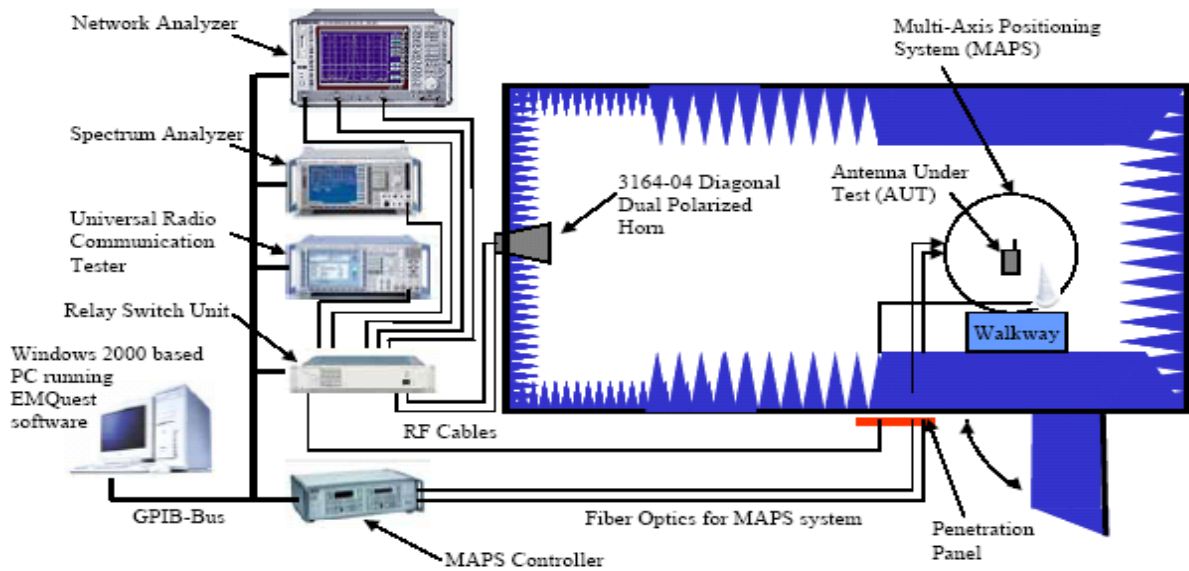
1.1 Test Unit

1. Hardware Version:
2. Housing:

1.2 Test Equipment

1. AMS-8500 System
2. Test Method: 2D radiation pattern
3. Test Lab: A Test Lab Technology Corp.

Typical AMS-8500 System Schematic



2. TEST RESULT

2.1 Antenna Gain

Antenna Gain - Free Space

Maximum Antenna Gain 1.74dBi @ 2442 MHz

2.2 Antenna Pattern

Antenna Pattern Plot - Free Space

