



PART 2 RF EXPOSURE EVALUATION REPORT

Applicant Name:
 Microsoft Corporation
 Microsoft Corporation Way
 Redmond, WA 98052 USA

Date of Testing:
 03/27/2024 – 04/03/2024
Test Site/Location:
 Element, Columbia, MD, USA
Document Serial No.:
 1M2311170118-22.C3K

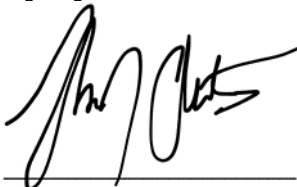
FCC ID: C3K2085

APPLICANT: MICROSOFT CORPORATION

DUT Type: Portable Computing Device
Application Type: Certification
FCC Rule Part(s): CFR §2.1093
Model: 2085
Device Serial Numbers: Pre-Production Samples [493KV]

I attest to the accuracy of data. All measurements reported herein were performed by me or were made under my supervision and are correct to the best of my knowledge and belief. I assume full responsibility for the completeness of these measurements and vouch for the qualifications of all persons taking them. Test results reported herein relate only to the item(s) tested.

EAR-Controlled Data: This document contains technical data whose export and reexport/ retransfer may be subject to control by the U.S. Department of Commerce under the Export Administration Act and the Export Administration Regulations. The Department of Commerce's prior written approval may be required for the export or re-export/retransfer of such technical data to any foreign person, foreign entity or foreign organization whether in the United States or abroad.



RJ Ortanez
 Executive Vice President



FCC ID: C3K2085	PART 2 RF EXPOSURE EVALUATION REPORT	Approved by: Technical Manager
Document S/N: 1M2311170118-22.C3K	DUT Type: Portable Computing Device	Page 1 of 40

T A B L E O F C O N T E N T S

1	DEVICE UNDER TEST	3
2	RF EXPOSURE LIMITS	4
3	FASTCONNECT WIFI TAS OPERATION.....	6
4	TIME VARYING TRANSMISSION TEST CASES.....	8
5	FCC MEASUREMENT PROCEDURES.....	11
6	MEASUREMENT TEST SETUP (FREQ < 6 GHZ)	19
7	TEST CONFIGURATIONS (FREQ < 6 GHZ).....	22
8	CONDUCTED TX CASES (FREQ < 6 GHZ).....	25
9	SYSTEM VERIFICATION (FREQ < 6 GHZ)	31
10	SAR TEST RESULTS (FREQ < 6 GHZ)	33
11	EQUIPMENT LIST.....	36
12	MEASUREMENT UNCERTAINTIES.....	37
13	CONCLUSION.....	38
14	REFERENCES	39

- APPENDIX A: VERIFICATION PLOTS
- APPENDIX B: SAR TISSUE SPECIFICATIONS
- APPENDIX C: SAR SYSTEM VALIDATION
- APPENDIX D: TEST SETUP PHOTOGRAPHS
- APPENDIX E: TEST SEQUENCES
- APPENDIX F: CALIBRATION CERTIFICATES

FCC ID: C3K2085	PART 2 RF EXPOSURE EVALUATION REPORT	Approved by: Technical Manager
Document S/N: 1M2311170118-22.C3K	DUT Type: Portable Computing Device	Page 2 of 40

1 DEVICE UNDER TEST

1.1 Device Overview

Band & Mode	Operating Modes	Tx Frequency
2.4 GHz WIFI	Data	2412 - 2462 MHz
5 GHz WIFI	Data	U-NII-1: 5180 - 5240 MHz U-NII-2A: 5260 - 5320 MHz U-NII-2C: 5500 - 5720 MHz U-NII-3: 5745 - 5825 MHz
6 GHz WIFI	Data	U-NII-5: 5945 - 6415 MHz U-NII-6: 6435 - 6515 MHz U-NII-7: 6535 - 6875 MHz U-NII-8: 6895 - 7115 MHz
2.4 GHz Bluetooth	Data	2402 - 2480 MHz
NFC	Data	13.56 MHz

1.2 Time-Averaging Algorithm for RF Exposure Compliance

This device is enabled with Qualcomm® FastConnect features. These features perform their proprietary time averaging algorithms in real time to control and manage transmitting power and ensure the time-averaged RF exposure is in compliance with FCC requirements at all times. Section 2.1 and 2.2 has additional details regarding the implementation of these TAS algorithms.

Regulatory RF exposure limits are defined with respect to time-averaged RF exposure. Qualcomm FastConnect TAS algorithm performs transmit power control to ensures at all times the wireless device is in compliance with the configured limit of RF exposure averaged over a defined time window denoted as T_{SAR} for SAR.

The purpose of this report is to demonstrate the Qualcomm® FastConnect™ time averaged SAR (TAS) feature RF exposure compliance under dynamic transmission scenarios. This test report provides reference to test results and plots using parameters is determined from for static SAR test and configure in FastConnect TAS BDF for validating the FastConnect TAS feature.

1.3 Bibliography

Report Type	Report Serial Number
Part 0 SAR Test Report	1M2311170118-21.C3K
Part 1 SAR Test Report	1M2311170118-12.C3K
RF Exposure Compliance Summary	1M2311170118-02.C3K

FCC ID: C3K2085	PART 2 RF EXPOSURE EVALUATION REPORT	Approved by: Technical Manager
Document S/N: 1M2311170118-22.C3K	DUT Type: Portable Computing Device	Page 3 of 40

2 RF EXPOSURE LIMITS

2.1 Uncontrolled Environment

UNCONTROLLED ENVIRONMENTS are defined as locations where there is the exposure of individuals who have no knowledge or control of their exposure. The general population/uncontrolled exposure limits are applicable to situations in which the general public may be exposed or in which persons who are exposed as a consequence of their employment may not be made fully aware of the potential for exposure or cannot exercise control over their exposure. Members of the general public would come under this category when exposure is not employment-related; for example, in the case of a wireless transmitter that exposes persons in its vicinity.

2.2 Controlled Environment

CONTROLLED ENVIRONMENTS are defined as locations where there is exposure that may be incurred by persons who are aware of the potential for exposure, (i.e. as a result of employment or occupation). In general, occupational/controlled exposure limits are applicable to situations in which persons are exposed as a consequence of their employment, who have been made fully aware of the potential for exposure and can exercise control over their exposure. This exposure category is also applicable when the exposure is of a transient nature due to incidental passage through a location where the exposure levels may be higher than the general population/uncontrolled limits, but the exposed person is fully aware of the potential for exposure and can exercise control over his or her exposure by leaving the area or by some other appropriate means.

2.3 RF Exposure Limits for Frequencies Below 6 GHz

Table 2-1
SAR Human Exposure Specified in ANSI/IEEE C95.1-1992 and Health Canada Safety Code 6

HUMAN EXPOSURE LIMITS		
	UNCONTROLLED ENVIRONMENT <i>General Population</i> (W/kg) or (mW/g)	CONTROLLED ENVIRONMENT <i>Occupational</i> (W/kg) or (mW/g)
Peak Spatial Average SAR Head	1.6	8.0
Whole Body SAR	0.08	0.4
Peak Spatial Average SAR Hands, Feet, Ankle, Wrists, etc.	4.0	20

1. The Spatial Peak value of the SAR averaged over any 1 gram of tissue (defined as a tissue volume in the shape of a cube) and over the appropriate averaging time.
2. The Spatial Average value of the SAR averaged over the whole body.
3. The Spatial Peak value of the SAR averaged over any 10 grams of tissue (defined as a tissue volume in the shape of a cube) and over the appropriate averaging time.

FCC ID: C3K2085	PART 2 RF EXPOSURE EVALUATION REPORT	Approved by: Technical Manager
Document S/N: 1M2311170118-22.C3K	DUT Type: Portable Computing Device	Page 4 of 40

2.4 RF Exposure Limits for Frequencies Above 6 GHz

Per §1.1310 (d)(3), the MPE limits are applied for frequencies above 6 GHz. Power Density is expressed in units of W/m² or mW/cm².

Peak Spatially Averaged Power Density was evaluated over a circular area of 4 cm² per interim FCC Guidance for near-field power density evaluations per October 2018 TCB Workshop notes.

**Table 2-2
Human Exposure Limits Specified in FCC 47 CFR §1.1310**

Human Exposure to Radiofrequency (RF) Radiation Limits		
Frequency Range [MHz]	Power Density [mW/cm ²]	Averaging Time [Minutes]
(A) Limits for Occupational / Controlled Environments		
1,500 – 100,000	5.0	6
(B) Limits for General Population / Uncontrolled Environments		
1,500 – 100,000	1.0	30

Note: 1.0 mW/cm² is 10 W/m²

2.5 Time Averaging Windows for FCC Compliance

Per October 2018 TCB Workshop Notes, the below time-averaging windows can be used for assessing time-averaged exposures for devices that are capable of actively monitoring and adjusting power output over time to comply with exposure limits.

Interim Guidance	Frequency (GHz)	Maximum Averaging Time (sec)
SAR	< 3	100
	3 – 6	60
MPE	6 - 10	30
	10 - 16	14
	16 – 24	8
	24 – 42	4
	42 – 95	2

FCC ID: C3K2085	PART 2 RF EXPOSURE EVALUATION REPORT	Approved by: Technical Manager
Document S/N: 1M2311170118-22.C3K	DUT Type: Portable Computing Device	Page 5 of 40

3 FASTCONNECT WIFI TAS OPERATION

3.1 Background

Regulatory RF exposure limits are defined with respect to time-averaged RF exposure. Qualcomm FastConnect TAS algorithm performs transmit power control to ensure at all times the wireless device is in compliance with the configured limit of RF exposure averaged over a defined time window denoted as T_{SAR} for SAR.

The FastConnect TAS supports maximum time-averaging windows (denoted as **T_{SAR}**) as defined by the FCC and ISED that:

- For FCC, a 30 second time-averaging window is used by FastConnect TAS for WLAN operation in 2.4GHz, 5GHz, and 6GHz WLAN bands.
- For ICNIRP 1998, the time-averaging window for radios operating <10GHz is 360 seconds. FastConnect TAS uses a 360s window for regions outside the U.S (e.g., ISED Canada).

**Table 3-1
Frequencies of operation and time-averaging windows used by FastConnect TAS**

FCC ¹		ICNIRP 1998	
WLAN band	Time-averaging window length	WLAN band	Time-averaging window length
2.4GHz, 5GHz, 6GHz	30s	2.4GHz, 5GHz, 6GHz	360s

NOTE: The FCC time-averaging window table is based on FCC interim guidance.

3.2 Algorithm Operation

FastConnect TAS manages the instantaneous transmit power to maintain the time-averaged power and associated RF exposure is below the regulatory compliance limit.

- If the time-averaged transmit power approaches the SAR compliance power, then the instantaneous transmit power is limited to ensure the time-averaged transmit power does not exceed the SAR compliance power in any T_{SAR} time window (i.e., the time-averaged RF exposure complies with the FCC or ICNIRP RF exposure limit in any time window).
- The wireless device can instantaneously transmit at high transmit powers for a short time durations before limiting the power to maintain time-averaged SAR compliance.

3.3 Supported WLAN Operations

- IEEE 802.11 – Operation in 2GHz, 5GHz, and 6GHz U-NII frequencies.
- SISO – Operation using a single antenna. The transmit chain may switch during operation. While using a single antenna, a design may support transmitting WLAN packets in 2GHz, 5GHz, or 6GHz channels.

NOTE: SISO operation depends on implementation in software. SISO mode may not be supported when software enables cyclic delay diversity (CDD). In this case WLAN always transmits in MIMO mode.

- MIMO – Operation using two antennas with one or more spatial streams.
- Dual band simultaneous (DBS) and/or High Band simultaneous (HBS) – Packets are transmitted in separate frequencies at the same time. A device may operate in DBS using MIMO or SISO.

FCC ID: C3K2085	PART 2 RF EXPOSURE EVALUATION REPORT	Approved by: Technical Manager
Document S/N: 1M2311170118-22.C3K	DUT Type: Portable Computing Device	Page 6 of 40

NOTE: DBS operation support depends on implementation in software.

3.4 Configurable Parameters

This section defines the key parameters required for FastConnect TAS Validation. The following inputs are key parameters required for functionality of the FastConnect TAS feature.

NOTE: The OEM must configure these parameters in the board data file (BDF).

- Time-Averaged Exposure Mode (FCC or ICNIRP) or Peak exposure mode, configurable for a given region/country: When enabled in Peak Exposure mode, FastConnect TAS limits instantaneous Tx power not to exceed P_{lim} in both simultaneous and single antenna case.
- P_{lim} per WLAN band/ant/DSI/regulatory limit (FCC or ICNIRP limit). Either FCC or ICNIRP limits can be chosen for a given region/country.
- Antenna group (AG) table: Optional feature to group transmit antennas such that the antennas in each group have RF exposure that is mutually exclusive (either have sum of SAR less than regulatory limit or meet SPLSR criteria) with antennas belonging to a different group.
- Reserve margin (in dB).

Dynamic inputs:

- Country of operation (location-based awareness).
- Device state index (DSI).

Non-configurable parameters (fixed entries):

- P_{max} values per each WLAN operating state.

3.4.1 P_{lim}

P_{lim} (in dBm) is the power corresponding to the SAR_{target} for FastConnect WLAN. In other words, P_{lim} is the maximum time-average transmit power setting for FastConnect TAS, at which this radio configuration (i.e., antenna, band and DSI state) reaches the SAR_{target} . The Fast Connect TAS algorithm uses P_{lim} to and the real time transmit power to ensure the real time-averaged SAR is below the SAR_{target} in real time and thus ensure device RF Exposure compliance.

3.4.2 P_{max}

P_{max} for FastConnect WLAN represents the maximum WLAN transmit power from other power setting in board data file. The P_{max} value could be identified by compare the target power (Rate-to-Power) and compliance transmit (CTL) and other power limit.

$$P_{max} = \min \{CTL, \text{Regdomain}, TPE/TPC, \text{Rate-to-Power}\}$$

3.4.3 Reserve Margin

FastConnect TAS allows minimum reserve power $P_{reserve} (= P_{lim} - \text{reserve margin})$ for WLAN radio to transmit, which can be used to maintain the link. The *reserve margin* is a global parameter, meaning it applies to all the radio configurations. When the *reserve margin* is set to zero dB, the FastConnect TAS effectively allows minimum transmit power $P_{reserve} = P_{lim}$ at all times, in other words, the EUT transmits continuously at P_{lim} .

The value is chosen by the OEM and stored in the board data file (BDF). It is in 0.1 dB increments. A single value is applied to all bands and modes.

FCC ID: C3K2085	PART 2 RF EXPOSURE EVALUATION REPORT	Approved by: Technical Manager
Document S/N: 1M2311170118-22.C3K	DUT Type: Portable Computing Device	Page 7 of 40

4 TIME VARYING TRANSMISSION TEST CASES

The following scenarios cover validation tests to prove FastConnect TAS accounts for the history of transmission power accuracy at all times including before, during, and after transition in each scenario.

Since RF exposure is proportional to the Tx power for a SAR wireless device, time-averaging algorithm validation can be effectively performed through conducted power measurements outlined below. In addition, since FastConnect TAS feature operates at the same averaged algorithm to all WLAN bands (2.4GHz, 5GHz, and 6GHz), test selection criteria described in Section 5.2 was used for time varying validation.

1. **Time-Varying Test Sequence:** This test proves the FastConnect TAS accounts for Tx power variations in time accurately. In addition, this test is performed to capture the maximum time-averaged results in at least two time-averaging windows duration.
2. **Change in antenna (applicable when the software supports SISO diversity operation):** This test is to prove that FastConnect functions correctly during transitions in Plim (at different antennas) within the same WLAN band and same Antenna Group. If device supports SISO and transmission diversity between an Antenna to another antenna, then this test is applicable. If WLAN MIMO CDD is implemented, then device is always under MIMO transmission, in this case, this test is NOT applicable.
3. **Change in device state (DSI) (applicable when the device supports multiple DSI):** This is to prove that FastConnect TAS performs power enforcements to maintain compliance during transitions in the device state.
4. **Change in WLAN band:** This is to prove that the FastConnect TAS functions correctly during transitions in radios and bands.
5. **Simultaneous Transmission:** This is to prove that the FastConnect TAS functions in transition from 1st standalone WLAN radio to simultaneous WLAN radios and back to 2nd standalone WLAN radio.

To add confidence in the feature validation, the time-averaged SAR measurements are also performed but only performed for transmission scenario 1 to avoid the complexity in SAR (such as, for scenario 3 requiring change in SAR probe calibration file to accommodate different bands and/or tissue simulating liquid).

The strategy for testing in Tx varying transmission condition is outlined as follows:

- Demonstrate the total RF exposure averaged over FCC defined time windows does not exceed FCC’s SAR limits, through time-averaged power measurements:
 - Measure conducted power.
 - Convert it into RF exposure and divide by respective limits to get normalized exposure use equation as described in this section.
 - Perform time-averaging over predefined time windows.
 - Demonstrate that the total normalized time-averaged RF exposure is <1 for all transmission scenarios.
 - For frequency below 6GHz or if regulator requires SAR for WLAN 6GHz band.

FCC ID: C3K2085	PART 2 RF EXPOSURE EVALUATION REPORT	Approved by: Technical Manager
Document S/N: 1M2311170118-22.C3K	DUT Type: Portable Computing Device	Page 8 of 40

$$1g_or_10gSAR(t) = \frac{\text{Conducted_Tx_power}(t)}{\text{Conducted_Tx_power_Plim}} * 1g_or_10gSAR_Plim \quad (1a)$$

$$\frac{\int_{t_1}^{t_2} TSAR - TSAR^{1E_or_10gSAR}(t) dt}{FCC\ or\ ICNIRP\ SAR\ limit} \leq 1 \quad (1b)$$

- For frequency greater than 6GHz if regulator requires APD. (Applicable for ISED)

$$4cm^2\ PD(t) = \frac{\text{Conducted_Tx_power}(t)}{\text{Conducted_Tx_power_Plim}} * 4cm^2\ PD_Plim \quad (1c)$$

$$\frac{\int_{t_1}^{t_2} TSAR - TSAR^{4cm^2\ PD}(t) dt}{APD\ 4cm^2\ PD\ limit} \leq 1 \quad (1d)$$

where, *conducted_Tx_power(t)*, *conducted_Tx_power_Plim* and *1g_or_10gSAR_Plim* correspond to the measured instantaneous conducted Tx power and conducted Tx power at *Plim* of DUT, and *1g_or_10gSAR* values at *Plim* for the worst-case radio configuration within the tested band/Antenna/DSI. Similarly, *4cm2 PD_Plim* correspond to the APD values at *Plim* for the worst-case radio configuration within the tested band (greater than 6GHz)/Antenna/DSI.

The equations (1a) & (1b) are applicable if SAR is required by regulator to address RF exposure for the band greater than 6GHz.

NOTE: The ratio circled in red square is obtained from the measurement on the radio configuration is selected for validation test while the *1g_or_10gSAR_Plim* and *4cm2 PD_Plim* must be from the SAR value in the worst-case radio configuration within the tested band/Antenna/DSI in static SAR report and scale to the *conducted_Tx_power_Plim* level is measured from DUT used in validation test.

- Demonstrate the total RF exposure averaged over FCC defined time windows does not exceed FCC's SAR limits, through time-averaged SAR measurements. Note as mentioned earlier, this measurement is performed for transmission scenario 1 only.
 - Choose worst case EUT orientation of SAR measurement per according to Static SAR test report and perform pointSAR measurement use cDASY6
 - Measure instantaneous SAR versus time and demonstrate total normalized time-averaged RF exposure is <1.0 at all times.
 - For frequency below 6GHz or if regulator requires SAR for WLAN 6GHz band.

$$1g_or_10gSAR(t) = \frac{\text{pointSAR}(t)}{\text{pointSAR_Plim}} * 1g_or_10gSAR_Plim \quad (2a)$$

$$\frac{\int_{t_1}^{t_2} TSAR - TSAR^{1E_or_10gSAR}(t) dt}{FCC\ or\ ICNIRP\ SAR\ limit} \leq 1 \quad (2b)$$

- For frequency greater than 6GHz if regulator requires APD. (Applicable for ISED)

FCC ID: C3K2085	PART 2 RF EXPOSURE EVALUATION REPORT	Approved by: Technical Manager
Document S/N: 1M231170118-22.C3K	DUT Type: Portable Computing Device	Page 9 of 40

$$4cm^2 PD(t) = \frac{\text{pointSAR}(t)}{\text{pointSAR}_{Plim}} * 4cm^2 PD_{Plim} \quad (2c)$$

$$\frac{\frac{1}{TSAR} \int_{t-TSAR}^t 4cm^2 PD(t) dt}{APD_{4cm^2 PD limit}} \leq 1 \quad (2d)$$

where, $pointSAR(t)$, $pointSAR_{Plim}$, and $1g_or_10gSAR_{Plim}$ correspond to the measured instantaneous point SAR and point SAR at P_{lim} of DUT, and $1g_or_10gSAR$ values at P_{lim} for the worst-case radio configuration within the tested band/Antenna/DSI. Similarly, $4cm^2 PD_{Plim}$ is the APD values at P_{lim} for the worst-case radio configuration within the tested band (greater than 6GHz)/Antenna/DSI.

The equations (2a) & (2b) are applicable if SAR is required by regulator to address RF exposure for the band greater than 6GHz.

NOTE: The ratio circled in red square is obtained from the measurement on the radio configuration is selected for validation test while the $1g_or_10gSAR_{Plim}$ and $4cm^2 PD_{Plim}$ must be from the SAR value in the worst-case radio configuration within the tested band/Antenna/DSI in static SAR report and scale to the $conducted_Tx_power_{Plim}$ level is measured from DUT used in validation test.

FCC ID: C3K2085	PART 2 RF EXPOSURE EVALUATION REPORT	Approved by: Technical Manager
Document S/N: 1M2311170118-22.C3K	DUT Type: Portable Computing Device	Page 10 of 40

5 FCC MEASUREMENT PROCEDURES

This chapter provides the test plan and test procedure for validating WLAN FastConnect.

5.1 Test Sequence Determination for Validation

Following the FCC recommendation, one test sequences having time-variation in Tx power are predefined for validation:

- Test sequence 1: request DUT's Tx power to be at maximum power, measured P_{max}^\dagger , for 30s, then requesting for half of the maximum power, i.e., measured $P_{max}/2$, for the rest of the time.

The details for generating these two test sequences is described and listed in Appendix E.

NOTE: For test sequence generation, “measured P_{limit} ” and “measured P_{max} ” are used instead of the “ P_{limit} ” specified in EFS entry and “ P_{max} ” specified for the device, because the Smart Transmit feature operates against the actual power level of the “ P_{limit} ” that was calibrated for the DUT. The “measured P_{limit} ” accurately reflects what the feature is referencing to, therefore, it should be used during feature validation testing. The RF tune up and device-to-device variation are already considered in Part 0 report prior to determining P_{limit} .

5.2 Test Configuration Selection Criteria for Validating Feature

The conducted power measurement method is used for all validation test scenarios. These tests demonstrate the power enforcement by FastConnect TAS where ***Plim*** could vary before and after transition.

5.2.1 Test selection for Time-Varying Test Sequence

Select one representative test channel from all the available radio configurations (band/ant(s)/DSI) that has $P_{max} > P_{lim} + \text{device uncertainty}$.

- If $P_{max} < P_{lim} + \text{device uncertainty}$ for all radio configurations, then select radio configuration with largest ($P_{max} \text{ dBm} - P_{lim} \text{ dBm}$) value.
- If $P_{max} > P_{lim} + \text{device uncertainty}$ for more than one radio configuration. Then, order of preference is given by:
 - If multiple radio configurations (band/ant(s)/DSI) meet this criteria, then SISO is preferred over MIMO due to simplified test setup.
 - After determining SISO vs. MIMO configuration, then select the configuration that has largest ($P_{max} \text{ dBm} - P_{lim} \text{ dBm}$) dB delta.
- Test to be performed at two bands for Time-Varying Test sequence test. If only one band within a configuration has $P_{max} > P_{lim}$ and $P_{lim} > P_{max}$ in all other configurations, then only one band needs to be tested.
- Test is not required if $P_{lim} > P_{max}$ for all radio configurations.

NOTE: The same selection criteria are applicable for both conducted & radiated tests.

FCC ID: C3K2085	PART 2 RF EXPOSURE EVALUATION REPORT	Approved by: Technical Manager
Document S/N: 1M2311170118-22.C3K	DUT Type: Portable Computing Device	Page 11 of 40

5.2.2 Test selection for Change in Antenna

This test scenario does not apply if SISO mode diversity is not supported. (e.g., CDD is enabled and always use MIMO). The criteria to select test configuration for Change in Antenna measurement is:

- The antennas selected for this test should be in the same antenna group.
- Whenever possible and supported by the EUT, first select antenna switch configuration within the same band/DSI (i.e., same band and DSI combination), and having different Plim, and having both $P_{max} > P_{lim} + \text{device uncertainty}$ where possible. Otherwise, select at least one antenna having $P_{max} > P_{lim} + \text{device uncertainty}$.
 - If multiple radio configurations (band/DSI) meet $P_{max} > P_{lim} + \text{device uncertainty}$, then select the configuration that has largest $(P_{max} \text{ dBm} - P_{lim} \text{ dBm})$ dB delta.
 - If $P_{max} < P_{lim} + \text{device uncertainty}$ for all radio configurations, then select radio configuration with largest $(P_{max} \text{ dBm} - P_{lim} \text{ dBm})$ value.
- If the EUT does not support antenna switch within the same band but has multiple transmitting antennas to support different frequency bands, then antenna switch test should be performed in combination with Change in WLAN band test scenario.
- Test for Change in Antenna is not required if all $P_{lim} > P_{max}$ for all radio configurations.

5.2.3 Test Selection for Change in Device State Index (DSI)

This test scenario does not apply if multiple DSIs is not supported in the device. The criteria to select test configuration for Change in DSI measurement is:

- Select a band/antenna having the $P_{max} > P_{lim} + \text{device uncertainty}$ within any DSI, and for the same band/antenna(s) having a different Plim in any other DSI. Both the selected DSIs should have $P_{max} > P_{lim} + \text{device uncertainty}$ where possible. Otherwise, select at least one DSI having $P_{max} > P_{lim} + \text{device uncertainty}$.
- If $P_{max} < P_{lim} + \text{device uncertainty}$ for all band/antenna(s), then select radio configuration with largest $(P_{max} \text{ dBm} - P_{lim} \text{ dBm})$ value.
- If $P_{max} > P_{lim} + \text{device uncertainty}$ for more than one radio configuration, then order of preference is given by:
 - If multiple radio configurations (band/ant(s)/DSI) meet this criteria and if device support SISO. Then SISO is preferred over MIMO due to simplified test setup.
 - After determining SISO vs. MIMO configuration, then select the configuration that has largest $(P_{max} \text{ dBm} - P_{lim} \text{ dBm})$ dB delta.

Test for Change in DSI is not required if all $P_{lim} > P_{max}$ for all radio configurations.

5.2.4 Test Selection for Change in WLAN Band

The criteria to select test configuration for Change in WLAN band measurement is:

FCC ID: C3K2085	PART 2 RF EXPOSURE EVALUATION REPORT	Approved by: Technical Manager
Document S/N: 1M2311170118-22.C3K	DUT Type: Portable Computing Device	Page 12 of 40

- First select both bands in a DSI having $P_{max} > P_{lim} + \text{device uncertainty}$ where possible. Otherwise, select at least one band having $P_{max} > P_{lim} + \text{device uncertainty}$.
- If $P_{max} < P_{lim} + \text{device uncertainty}$ for all radio configurations, then select radio configuration with largest $(P_{max} \text{ dBm} - P_{lim} \text{ dBm})$ value.
- If $P_{max} > P_{lim} + \text{device uncertainty}$ for more than one radio configuration. Then, order of preference is given by:
 - If multiple radio configurations (band/ant(s)/DSI) meet this criteria and if device support SISO. Then SISO is preferred over MIMO due to simplified test setup.
 - After determining SISO vs. MIMO configuration, then select the configuration that has largest $(P_{max} \text{ dBm} - P_{lim} \text{ dBm})$ dB delta.
- The antennas corresponding to the selected bands should be in the same antenna group.
- Test for Change in WLAN band is not required if all $P_{lim} > P_{max}$ for all radio configurations.

5.2.5 Test Selection for Simultaneous Transmission

This test scenario does not apply if simultaneous transmission within WLAN bands is not supported in the device. The criteria to select test configuration for Simultaneous Transmission measurement is:

- The bands must be selected from supported Simultaneous Transmission configuration. (e.g., WLAN DBS and/or HBS)
- First select both bands in a DSI having $P_{max} > P_{lim} + \text{device uncertainty}$ where possible. Otherwise, select at least one band having $P_{max} > P_{lim} + \text{device uncertainty}$.
- If $P_{max} < P_{lim} + \text{device uncertainty}$ for all radio configurations, then select radio configuration with largest $(P_{max} \text{ dBm} - P_{lim} \text{ dBm})$ value.
- If $P_{max} > P_{lim} + \text{device uncertainty}$ for more than one radio configuration. Then, order of preference is given by:
 - If multiple radio configurations (band/ant(s)/DSI) meet this criteria and if device support SISO. Then SISO is preferred over MIMO due to simplified test setup.
 - After determining SISO vs. MIMO configuration, then select the configuration that has largest $(P_{max} \text{ dBm} - P_{lim} \text{ dBm})$ dB delta.
- The antennas corresponding to the selected bands should be in the same antenna group.
- Even if a device has $P_{lim} > P_{max}$ for all radio configurations, then “Simultaneous Transmission” test scenario should still be performed for validation of FastConnect TAS device.

5.3 Test Procedures for Conducted Power Measurement

1. Measure P_{lim} for modes at validation antenna ports, bands and/or DSIs with FastConnect TAS Peak Exposure Mode enabled with callbox to establish the chosen mode for test. Denote this measured power value as `Conducted_Tx_power_Plim`.

FCC ID: C3K2085	PART 2 RF EXPOSURE EVALUATION REPORT	Approved by: Technical Manager
Document S/N: 1M2311170118-22.C3K	DUT Type: Portable Computing Device	Page 13 of 40

NOTE: The measurement of Peak Exposure Mode should be performed with 70% or higher WLAN duty cycle (for example, using iPerf to generate UL traffic).

2. Set EUT to the intended FastConnect TAS mode.
3. Establish radio link with the callbox in the selected band.

NOTE: For the purpose of collecting repeatable time averaged power data, it is recommended to include a section of 30s at the beginning of every test with the device WLAN connection disconnected or turned off or transmitting at a very low duty cycle.

4. Request EUT to transmit in following Transition sequence:
 - a. Time-Varying Test Sequence – Request EUT to transmit maximum power for at least 30s with 100% duty cycle and 50% duty cycle for 30s to determine time-averaged 1gSAR versus time.

Time duration (seconds)	Duty Cycle (%)
30	100%
60	50%

- b. Change in antenna – EUT operates at Antenna 1 (e.g., Main antenna port) and requests to transmit at maximum power for at least 30s. Then switch to operation on Antenna 2 (e.g., Aux antenna port), followed by at least 120s of observation.
- c. Change in device state (DSI) – EUT operates at DSI 1 and requests to transmit at maximum power for at least 30s. Then switch to operation on DSI 2, followed by at least 120s of observation (observation period includes transition time).
- d. Change in WLAN band – EUT operates at Band 1 and requests to transmit at maximum power for at least 30s. Then it switches to Band 2 using the same antenna port and observes another 120s (observation period includes transition time).
- e. Simultaneous Transmissions: First establish WLAN connection with the callbox in radio2 configuration and request radio2 configuration to transmit at maximum duty cycle for at least 120s to test predominantly radio2 SAR exposure scenario. Then add radio1 configuration to the existing radio2 configuration call, and request both radio1 and radio2 to transmit at maximum duty cycle to test radio1 and radio2 SAR exposure scenario for at least 120s. Then drop (or request low duty cycle) for radio2 configuration to test predominantly radio1 SAR exposure scenario for another at least 120s. Record the conducted Tx powers for both radio1 and radio2 configurations for the entire duration of this test.

Note: radio1 and radio2 should operate at different band.

5. Measure and record Tx power versus time.

FCC ID: C3K2085	PART 2 RF EXPOSURE EVALUATION REPORT	Approved by: Technical Manager
Document S/N: 1M2311170118-22.C3K	DUT Type: Portable Computing Device	Page 14 of 40

- a. Once the measurement is done, extract instantaneous Tx power versus time, and convert the conducted Tx power into 1g_or_10g SAR value, see Eq. (1a), using Step 1 result.
- b. Then perform 30s moving average to determine time-averaged 1g_or_10gSAR versus time as illustrated in Figure 6-2.

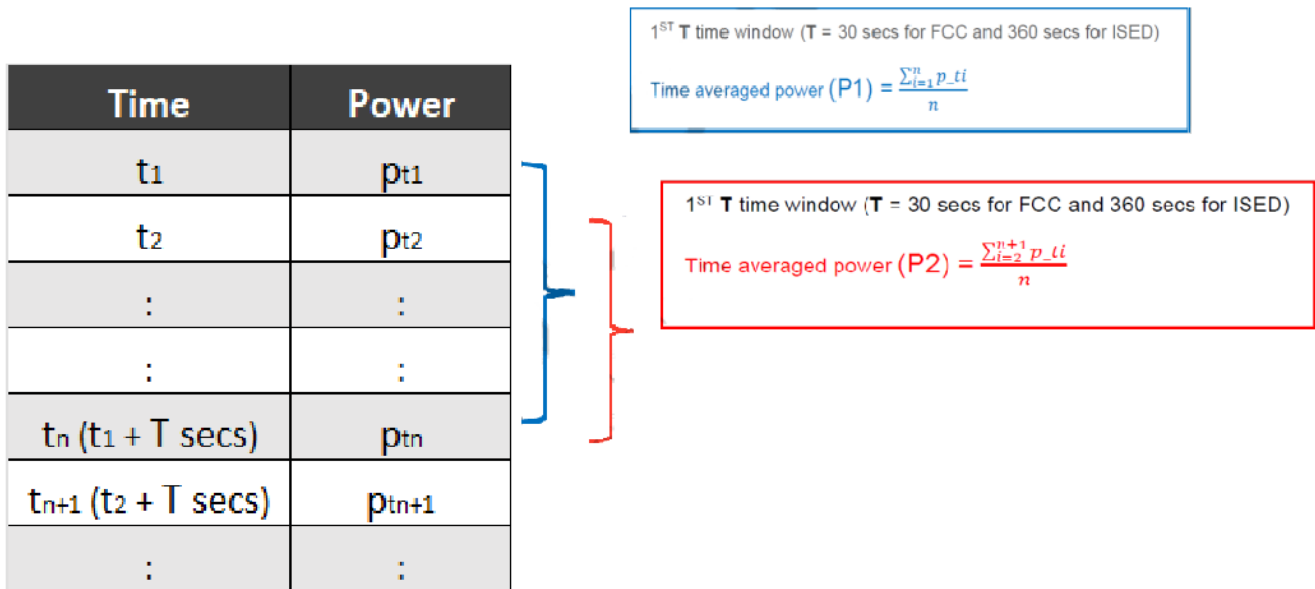


Figure 6-2 Time running/moving average illustration

The following normalization is used to convert 1g_or_10gSAR exposure using Equation (1a) and (1c) in section 5.1 to validate the continuity of RF exposure limits during the transition. The procedures from step1 and step 2 in this section should be completed for each configuration under test and use below equations to validate the RF exposure during the transition.

- o if tested with both radio configurations below 6GHz:

$$1g_or_10gSAR_1(t) = \frac{\text{Conducted_Tx_power_1}(t)}{\text{Conducted_Tx_power_Plim_1}} * 1g_or_10gSAR_Plim_1 \quad (4a)$$

$$1g_or_10gSAR_2(t) = \frac{\text{Conducted_Tx_power_2}(t)}{\text{Conducted_Tx_power_Plim_2}} * 1g_or_10gSAR_Plim_2 \quad (4b)$$

$$\frac{\frac{1}{TSAR} \left[\int_{t-TSAR}^{t+1} 1g_or_10gSAR_1(t) dt + \int_{t-TSAR}^t 1g_or_10gSAR_2(t) dt \right]}{FCC \text{ or ICNIRP SAR limit}} \leq 1 \quad (4c)$$

FCC ID: C3K2085	PART 2 RF EXPOSURE EVALUATION REPORT	Approved by: Technical Manager
Document S/N: 1M2311170118-22.C3K	DUT Type: Portable Computing Device	Page 15 of 40

where, $conducted_Tx_power_1(t)$, $conducted_Tx_power_Plim_1$, and $1g_or_10gSAR_Plim_1$ correspond to the instantaneous Tx power, conducted Tx power at P_{lim_1} of DUT, and compliance $1g_or_10gSAR$ values of Antenna 1 (or Band 1 or DSI1) at P_{lim_1} ; $conducted_Tx_power_2(t)$, $conducted_Tx_power_Plim_2$, and $1g_or_10gSAR_Plim_2$ correspond to the instantaneous Tx power, conducted Tx power at P_{lim_2} of DUT, and compliance $1g_or_10gSAR$ values of Antenna 2 (or Band 2 or DSI2) at P_{lim_2} .

Transition from the Antenna 1 (or Band 1 or DSI1) to the Antenna 2 (or Band 2 or DSI2) happens at time-instant ' t' '.

- if tested with radio configuration: 2.4/5GHz WLAN assessed using SAR + 6GHz WLAN band assessed using APD (e.g., applicable for ISED):

$$1g_or_10gSAR_1(t) = \frac{Conducted_Tx_power_1(t)}{Conducted_Tx_power_Plim_1} * 1g_or_10gSAR_Plim_1 \quad (5a)$$

$$4cm^2 PD_2(t) = \frac{Conducted_Tx_power_2(t)}{Conducted_Tx_power_Plim_2} * 4cm^2 PD_Plim_2 \quad (5b)$$

$$\frac{\frac{1}{TSAR} \int_{t-TSAR}^{t1} 1g_or_10gSAR(t) dt}{ICNIRP SAR limit} + \frac{\frac{1}{TSAR} \int_{t-TSAR}^t 4cm^2 PD(t) dt}{APD 4cm^2 PD limit} \leq 1 \quad (5c)$$

where, $conducted_Tx_power_1(t)$, $conducted_Tx_power_Plim_1$ and $1g_or_10gSAR_Plim_1$ correspond to the measured instantaneous conducted Tx power and conducted Tx power at P_{lim_1} of DUT, and $1g_or_10gSAR$ values at P_{lim_1} for the worst-case radio configuration within the tested 2.4/5GHz WLAN band; $conducted_Tx_power_2(t)$, $conducted_Tx_power_Plim_2$, and $4cm^2 PD_Plim_2$ correspond to the instantaneous Tx power, conducted Tx power at P_{lim_2} of DUT, and $4cm^2 PD$ values (APD) of at P_{lim_2} for the worst-case radio configuration within the tested 6GHz WLAN band.

Transition from the Band1 to the Band2 happens at time-instant ' t' '.

- if tested with both radio configurations greater than 6GHz bands that are assessed using APD (e.g., applicable for ISED):

$$4cm^2 PD_1(t) = \frac{Conducted_Tx_power_1(t)}{Conducted_Tx_power_Plim_1} * 4cm^2 PD_Plim_1 \quad (6a)$$

$$4cm^2 PD_2(t) = \frac{Conducted_Tx_power_2(t)}{Conducted_Tx_power_Plim_2} * 4cm^2 PD_Plim_2 \quad (6b)$$

$$\frac{\frac{1}{TSAR} \int_{t-TSAR}^{t1} 4cm^2 PD_1(t) dt + \int_{t-TSAR}^t 4cm^2 PD_2(t) dt}{APD 4cm^2 PD limit} \leq 1 \quad (6c)$$

FCC ID: C3K2085	PART 2 RF EXPOSURE EVALUATION REPORT	Approved by: Technical Manager
Document S/N: 1M2311170118-22.C3K	DUT Type: Portable Computing Device	Page 16 of 40

where, $conducted_Tx_power_1(t)$, $conducted_Tx_power_Plim_1$, and $4cm_2 PD_Plim_1$ correspond to the instantaneous Tx power, conducted Tx power at P_{lim_1} of DUT, and compliance $4cm_2$ PD values (APD) of Band 1 (or Antenna 1) at P_{lim_1} ;

$conducted_Tx_power_2(t)$, $conducted_Tx_power_Plim_2$, and $4cm_2 PD_Plim_2$ correspond to the instantaneous Tx power, conducted Tx power at P_{lim_2} of DUT, and compliance $4cm_2$ PD values (APD) of Antenna Band 2 (or Antenna 2) at P_{lim_2} .

Transition from the Band 1 (or Antenna 1) to the Band 2 (or Antenna 2) happens at time-instant ' t_r '.

6. Make one plot containing:
 - a. Computed time-averaged $1g_or_10gSAR$ (and/or $4cm_2$ PD) versus time from above procedure.
 - b. Corresponding regulatory $1g_or_10gSAR$ (and/or $4cm_2$ PD) limit.

The validation criteria is, at all times, the combined time-averaged $1g_or_10gSAR$ (and/or $4cm_2$ PD) versus time shall not exceed the regulatory $1g_or_10gSAR$ limit.

5.4 Test Procedures for Time-Varying SAR Measurement

The pointSAR test is performed only with Time-Varying Test Sequence to provide high confidence in the algorithm validation. The radio configuration for this test is selected by following the selection criteria described in Section 5.2.1.

1. For a given radio configuration:
 - a. Enable WLAN connection with callbox in **FastConnect TAS Peak Exposure Mode** and enable high duty cycle Tx while performing the following steps.
 - b. Perform the area scan.
 - c. Conduct pointSAR measurement at peak location of the area scan for 120s.

This pointSAR value, $pointSAR_Plim$ corresponds to pointSAR at the measured P_{lim} .

NOTE: The measurement of Peak Exposure Mode should be performed with 70% or higher WLAN duty cycle (for example, using iPerf to generate UL traffic).

2. Conduct pointSAR measurement at peak location of the area scan for 120s.
 - a. Perform Time-averaged point SAR measurements at the same peak location as Peak Exposure Point SAR measurement for 120s. Note this includes initial 30s with WLAN with very low duty cycle (or WLAN is disconnected) and 90s of high duty cycle (WLAN has to be connected with high uplink traffic).
 - b. Once the measurement is done, extract instantaneous pointSAR versus time data, $pointSAR(t)$
 - c. Convert it into instantaneous $1gSAR$ versus time by using Equation (2a) and (2c) in Section 5.2.4:

$$1g_or_10gSAR(t) = \frac{pointSAR(t)}{pointSAR_Plim} * 1g_or_10gSAR_Plim \quad (2a)$$

FCC ID: C3K2085	PART 2 RF EXPOSURE EVALUATION REPORT	Approved by: Technical Manager
Document S/N: 1M2311170118-22.C3K	DUT Type: Portable Computing Device	Page 17 of 40

where, *pointSAR_Plim* corresponds to the value determined in Step 1, and *pointSAR(t)* corresponds to instantaneous pointSAR determined in Step 2 in this section.

- d. Then perform 30s moving average to determine time-averaged 1gSAR versus time.
3. Make one plot containing:
- a. Computed time-averaged 1g_or_10gSAR versus time determined from Step 2.
 - b. Regulatory 1g_or_10gSAR limit.

The validation criteria for pointSAR measurement is, at all times, the time averaged 1g_or_10gSAR (or 4cm2 PD) versus time shall not exceed the regulatory 1g_or_10gSAR (or 4cm2 PD) limit.

FCC ID: C3K2085	PART 2 RF EXPOSURE EVALUATION REPORT	Approved by: Technical Manager
Document S/N: 1M2311170118-22.C3K	DUT Type: Portable Computing Device	Page 18 of 40

6 MEASUREMENT TEST SETUP (FREQ < 6 GHZ)

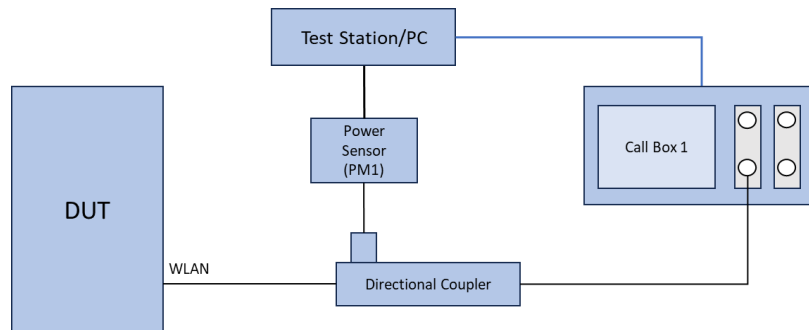
6.1 Conducted Measurement Test Setup

Conducted Test Setup

The Rohde & Schwarz CMW500 callbox was used in this test. The test setup schematic is shown in Figure 6-1a (Appendix D – Test Setup Photo 1 and 2) for measurements with a single antenna port of DUT, and in Figure 6-1b (Appendix D – Test Setup Photo 3) for simultaneous transmission (DBS) measurements.

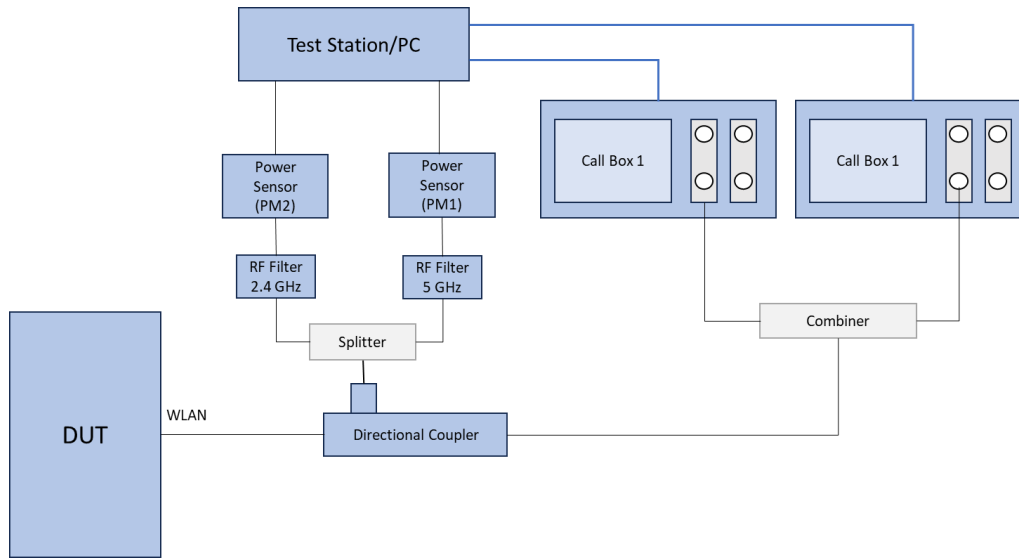
For single antenna measurement, one port (RF1 COM) of the callbox is connected to the RF port of the DUT using a directional coupler. For simultaneous transmission (DBS) measurement, two ports (RF 3 COM and RF 4 COM) of the callboxes used for signaling two different bands are connected to a combiner, which is in turn connected to a directional coupler. The coupled port of the directional coupler is connected to a splitter to connect to two RF filters corresponding to the two frequencies of interest. In the setups, the power meter is used to tap the directional coupler for measuring the conducted output power of the DUT.

All the path losses from RF port of DUT to the callbox RF COM port and to the power meter are calibrated and automatically entered as offsets in the callbox and the power meter via test scripts on the PC used to control callbox and power meter.



(a) Appendix D – Test Setup Photo 1, 2

FCC ID: C3K2085	PART 2 RF EXPOSURE EVALUATION REPORT	Approved by: Technical Manager
Document S/N: 1M2311170118-22.C3K	DUT Type: Portable Computing Device	Page 19 of 40



(b) Appendix D – Test Setup Photo 3

**Figure 6-1
Conducted power measurement setup**

Both the callbox and power meter are connected to the PC using GPIB cables. Two test scripts are custom made for automation, and the test duration set in the test scripts is 500 seconds.

For time-varying Tx power measurement, the PC runs the 1st test script to send GPIB commands to control the callbox's requested power versus time, while at the same time to record the conducted power measured at DUT RF port using the power meter. The commands sent to the DUT to request power are:

- 0dBm for 30 seconds
- test sequence 1 (defined in Section 4.1 and generated in Section 4.2.1), for 90 seconds.
- stay at the last power level of test sequence 1 for the remaining time.

Power meter readings are periodically recorded every 100ms. A running average of this measured Tx power over 30 seconds is performed in the post-data processing to determine the 30s-time averaged power.

For call drop, band/antenna switch, and DSI switch tests, after the call is established, the DUT' Tx power is requested to 0dBm for 30 seconds while simultaneously starting the 2nd test script runs at the same time to start recording the Tx power measured at DUT RF port using the power meter. After the initial 30 seconds since starting the Tx power recording, the DUT' Tx power is requested to maximum power from the DUT for the rest of the test. Note that the call drop/re-establish, or band/antenna switch or DSI switch is manually performed when the Tx power of DUT is at $P_{reserve}$ level. See Section 4.3 for detailed test procedure of call drop test, band/antenna switch test and DSI switch test.

FCC ID: C3K2085	PART 2 RF EXPOSURE EVALUATION REPORT	Approved by: Technical Manager
Document S/N: 1M2311170118-22.C3K	DUT Type: Portable Computing Device	Page 20 of 40

6.2 SAR Measurement Setup

The measurement setup is similar to normal SAR measurements as described in the Part 1 Test Report. The difference in SAR measurement setup for time averaging feature validation is that the callbox is signaling in close loop power control mode (instead of requesting maximum power in open loop control mode) and callbox is connected to the PC using GPIB so that the test script executed on PC can send GPIB commands to control the callbox’s requested power over time (test sequence). The same test script used in conducted setup for time-varying Tx power measurements is also used in this section for running the test sequences during SAR measurements, and the recorded values from the disconnected power meter by the test script were discarded.

As mentioned in Section 4.4, for DUT to follow TPC command sent from the callbox wirelessly, the “path loss” between callbox antenna and the DUT needs to be very well calibrated. Since the SAR chamber is in uncontrolled environment, precautions must be taken to minimize the environmental influences on “path loss”.

The DUT is placed in worst-case position according to Table 7-2.

FCC ID: C3K2085	PART 2 RF EXPOSURE EVALUATION REPORT	Approved by: Technical Manager
Document S/N: 1M2311170118-22.C3K	DUT Type: Portable Computing Device	Page 21 of 40

7 TEST CONFIGURATIONS (FREQ < 6 GHZ)

7.1 WLAN (sub-6) transmission

The P_{limit} values, corresponding to 1.0 W/kg (1gSAR) of SAR_{design_target} , for technologies and bands supported by DUT are derived in Part 0 report and summarized in Table 7-1.

Table 7-1
 P_{limit} for supported bands (P_{limit} in EFS file) S

Exposure Scenario			Maximum Tune-Up Output Power*	Laptop or Tablet	Tablet
Averaging Volume				1g	1g
Spacing				0 mm, 25 mm	0 mm
DSI				0	1
Technology/Band	Antenna	Antenna Group	Pmax		
2.4 GHz WIFI	R	AG0	20.0	33.1	18.00
2.4 GHz WIFI	L	AG1	20.0	31.6	16.50
5 GHz WIFI	R	AG0	19.5	24.5	15.50
5 GHz WIFI	L	AG1	19.5	25.3	17.75
6 GHz WIFI	R	AG0	19.0	26.1	14.25
6 GHz WIFI	L	AG1	19.0	26.1	13.75

* Maximum tune up target power, P_{max} , is configured in NV settings in DUT to limit maximum transmitting. The DUT maximum allowed output power is equal to $P_{max} + 1$ dB device uncertainty.

Based on selection criteria described in Section 5.2, the selected bands for testing time-varying test sequences are highlighted in yellow in Table 7-1. Per the manufacturer, the *Reserve margin* (dB) is set to 1dB and is used in Part 2 test.

The radio configurations used in Part 2 test for selected bands, DSIs and antennas are listed in Table 7-2. The corresponding worst-case radio configuration 1gSAR values for selected technology/band/DSI are extracted from Part 1 report and are listed in Table 7-2.

Based on equations (1a), (2a), (3a) and (4a), it is clear that Part 2 testing outcome is normalized quantity, which implies that it can be applied to any radio configuration within a selected technology/band/DSI. Thus, as long as applying the worst-case SAR obtained from the worst radio configuration in Part 1 testing to calculate time-varying SAR exposure in equations (1a), (2a), (3a) and (4a), the accuracy in compliance demonstration remains the same. Therefore, there may be some differences between the radio configuration selected for Part 2 testing and the radio configuration associated with worst-case SAR obtained in the Part 1 evaluation.

FCC ID: C3K2085	PART 2 RF EXPOSURE EVALUATION REPORT	Approved by: Technical Manager
Document S/N: 1M2311170118-22.C3K	DUT Type: Portable Computing Device	Page 22 of 40

The measured P_{limit} for all the selected radio configurations are listed in below Table 7-2. P_{max} was also measured for radio configurations selected for testing time-varying Tx power transmission scenarios in order to generate test sequences following the test procedures in Section 5.1.

**Table 7-2
Radio Configurations Selected for Part 2 Test**

Test Case #	Test Scenario	Tech	Band	Antenna	DSI	Channel	Frequency [MHz]	Test Configurations	SAR Exposure Scenario	Part 1 Worst Case Measured SAR at P _{limit} (W/kg)	EFS P _{limit} [dBm]	Tune-up P _{max} [dBm]	Measured P _{limit} [dBm]	Measured P _{max} [dBm]
1	Time Varying Test Sequences	WLAN	2.4	Left	1	6	2437	802.11b 20 MHz BW DSSS	Tablet, Top Edge with keyboard, 0mm	0.679	16.5	20.0	16.26	19.63
2			5	Right	1	52	5260	802.11ac 20 MHz BW DSSS	Tablet, Top Edge, 0mm	0.260	15.5	17.5	15.32	16.95
3	Change in Device State (DSI)		2.4	Left	0	6	2437	802.11b 20 MHz BW DSSS	Tablet, Top Edge, 25mm	0.067	20.0	20.0	19.63	19.63
				Left	1				Tablet, Top Edge with keyboard, 0mm	0.679	16.5	20.0	16.26	19.63
4	Change in WLAN Band		2.4	Right	1	6	2437	802.11ac 20 MHz BW DSSS	Tablet, Top Edge with keyboard, 0mm	0.639	17.0	20.0	16.96	20.12
			5	Right	1	52	5260	802.11ac 20 MHz BW DSSS	Tablet, Top Edge, 0mm	0.260	15.5	17.5	15.32	16.95
5	Simultaneous Transmission (DBS)		5 (AP)	Right	1	52	5260	802.11ac 20 MHz BW DSSS	Tablet, Top Edge, 0mm	0.260	15.5	17.5	15.32	16.95
			2.4 (STA)	Right	1	11	2462	802.11n 20 MHz BW DSSS	Tablet, Top Edge with keyboard, 0mm	0.639	13.5	13.5	13.12	13.12

Note: The device uncertainty of P_{max} is +/- 1 dB as provided by manufacturer.

**Table 7-3
DSI and Corresponding Exposure Scenarios**

Scenario	Description	SAR Test Cases
Laptop mode (DSI=0)	<ul style="list-style-type: none"> Device transmits in laptop mode when keyboard accessory is attached and at an angle $\leq 210^\circ$ or no motion is detected 	<i>Laptop SAR per KDB Publication 616217 D04v01r02</i>
Tablet Mode (DSI=1)	<ul style="list-style-type: none"> Device transmits in tablet when no keyboard accessory is attached, motion is detected, or keyboard accessory is attached at $>210^\circ$ angle 	<i>Tablet SAR per KDB Publication 648474 D04v01r03</i>

Based on the selection criteria described in Section 5.2, the radio configurations for the Tx varying transmission test cases listed in Section 3 are:

- Technologies and bands for time-varying Tx power transmission: The test case 1~2 listed in Table 7-2 are selected to test with the test sequences defined in Section 4.1 in both time-varying conducted power measurement and time-varying SAR measurement.
- Technologies and bands for change in DSI: Based on selection criteria in Section 5.2.3 for a given technology and band, test case 3 in Table 7-2 is selected for DSI switch test by establishing a call in WLAN 2.4 GHz, antenna Left in DSI = 0, and then handing over to DSI = 1 exposure scenario in conducted power setup.

FCC ID: C3K2085	PART 2 RF EXPOSURE EVALUATION REPORT	Approved by: Technical Manager
Document S/N: 1M2311170118-22.C3K	DUT Type: Portable Computing Device	Page 23 of 40

3. Technologies and bands for change in Band test: Following the guidelines in Section 5.2.4, test case 4 in Table 7-2 is selected for handover test from a band (WLAN 2.4 GHz, DSI = 1, antenna Right), to a band in the same DSI within one antenna group (WLAN 5 GHz, DSI = 1, antenna Right) in conducted power setup.
4. Technologies and bands for simultaneous transmission (DBS): Based on selection criteria in Section 5.2.5, test case 5 in Table 7-2 is selected for simultaneous transmission test in one of the supported simultaneous WLAN transmission scenario, i.e., WLAN 5 GHz (Station mode) + WLAN 2.4 GHz (Hotspot mode) active in the same 30s time window, in conducted power setup.

NOTE: This device supports different antenna groups for each antenna. Therefore, change in antennas test was excluded.

NOTE: All switching and simultaneous test cases (#3 - #5) were done with modes/bands within the same antenna group.

FCC ID: C3K2085	PART 2 RF EXPOSURE EVALUATION REPORT	Approved by: Technical Manager
Document S/N: 1M2311170118-22.C3K	DUT Type: Portable Computing Device	Page 24 of 40

8 CONDUCTED TX CASES (FREQ < 6 GHZ)

8.1 Time-varying Tx Power Case

The measurement setup is shown in Figure 6-1. The purpose of the time-varying Tx power measurement is to demonstrate the effectiveness of power limiting enforcement and that the time-averaged Tx power when represented in time-averaged 1gSAR or 10gSAR values does not exceed FCC limit as shown in Eq. (1a) and (1b), rewritten below:

$$1g_or_10gSAR(t) = \frac{conducted_Tx_power(t)}{conducted_Tx_power_P_{limit}} * 1g_or_10gSAR_P_{limit} \quad (1a)$$

$$\frac{\frac{1}{T_{SAR}} \int_{t-T_{SAR}}^t 1g_or_10gSAR(t) dt}{FCC\ SAR\ limit} \leq 1 \quad (1b)$$

where, $conducted_Tx_power(t)$, $conducted_Tx_power_P_{limit}$, and $1g_or_10gSAR_P_{limit}$ correspond to the measured instantaneous conducted Tx power, measured conducted Tx power at P_{limit} , and measured 1gSAR and 10gSAR values at P_{limit} reported in Part 1 test (listed in Table 7-2 of this report as well).

Following the test procedure in Section 5.3, the conducted Tx power measurement for all selected configurations are reported in this section. In all the conducted Tx power plots, the green curve represents time-averaged power and red line represents the conducted power limit that corresponds to FCC limit of 1.6 W/kg for 1gSAR or 4.0 W/kg for 10gSAR.

Similarly, in all the 1g or 10gSAR plots (when converted using Eq. (1a)), the green curve represents the 30s/30s-time averaged 1gSAR or 10gSAR value calculated based on instantaneous 1gSAR or 10gSAR; and the red line limit represents the FCC limit of 1.6 W/kg for 1gSAR or 4.0 W/kg for 10gSAR.

Time-varying Tx power measurements were conducted on test cases #1 ~ #2 in Table 7-2, by generating test sequence 1 given in APPENDIX E: using measured P_{limit} and measured P_{max} (last two columns of Table 7-2) for each of these test cases. Measurement results for test cases #1 ~ #2 are given in Sections 8.1.1-8.1.2.

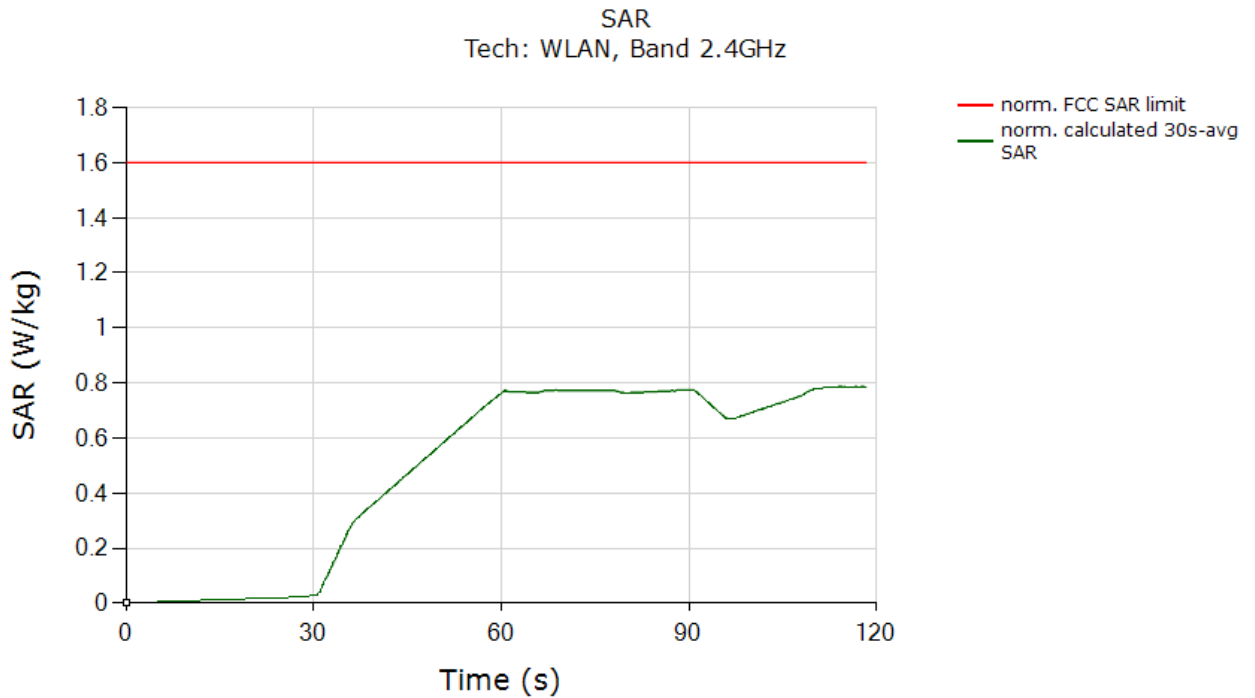
Note: All test cases involving multiple antennas (switches/simult tx, etc) were performed with antennas within the same group.

FCC ID: C3K2085	PART 2 RF EXPOSURE EVALUATION REPORT	Approved by: Technical Manager
Document S/N: 1M2311170118-22.C3K	DUT Type: Portable Computing Device	Page 25 of 40

8.1.1 WLAN Band 2.4 GHz, Antenna Left

Test result for test sequence 1:

Time-averaged conducted Tx power is converted/calculated into time-averaged 1gSAR using Equation (1a) and plotted below to demonstrate that the time-averaged 1gSAR versus time does not exceed the FCC limit of 1.6 W/kg for 1gSAR:



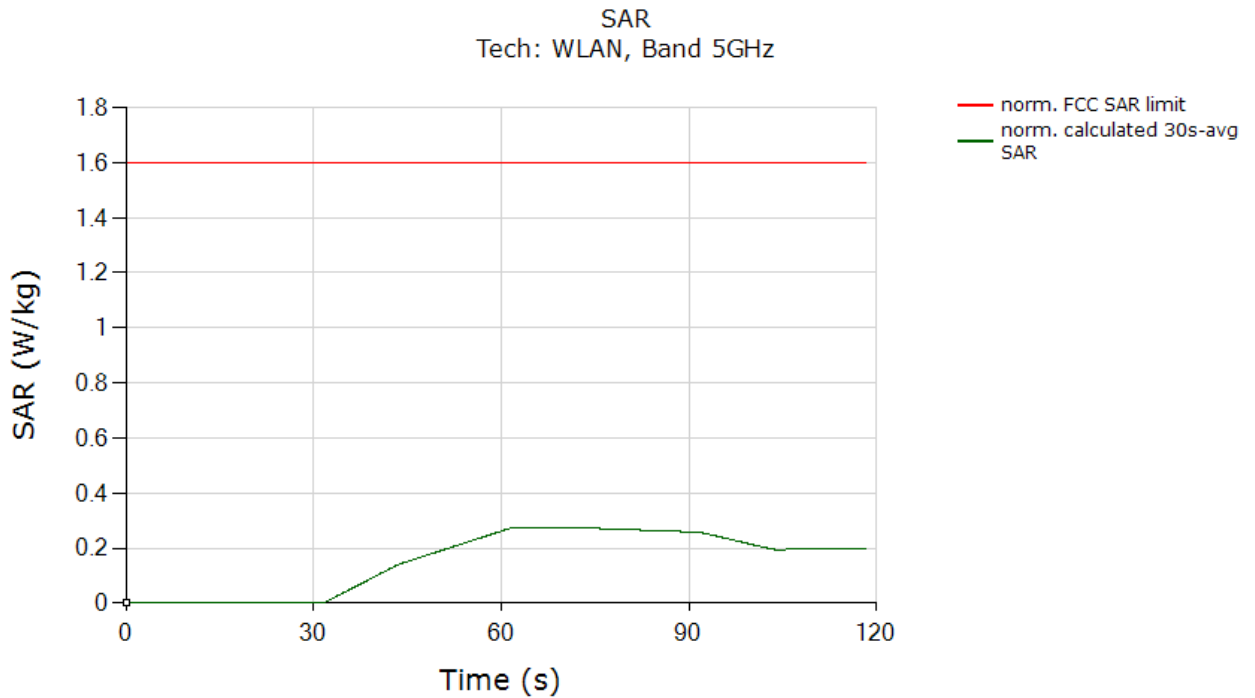
	(W/kg)
FCC 1gSAR limit	1.6
Max 30s-time averaged 1gSAR (green curve)	0.786
Validated: Max time averaged SAR (green curve) is within 1 dB device uncertainty of measured SAR at P_{limit} (worst case SAR at P_{lim} column in Table 7-2).	

FCC ID: C3K2085	PART 2 RF EXPOSURE EVALUATION REPORT	Approved by: Technical Manager
Document S/N: 1M2311170118-22.C3K	DUT Type: Portable Computing Device	Page 26 of 40

8.1.2 WLAN Band 5 GHz, Antenna Right

Test result for test sequence 1:

Time-averaged conducted Tx power is converted/calculated into time-averaged 1gSAR using Equation (1a) and plotted below to demonstrate that the time-averaged 1gSAR versus time does not exceed the FCC limit of 1.6 W/kg for 1gSAR:



	(W/kg)
FCC 1gSAR limit	1.6
Max 30s-time averaged 1gSAR (green curve)	0.273
Validated: Max time averaged SAR (green curve) is within 1 dB device uncertainty of measured SAR at P_{limit} (worst case SAR at P_{lim} column in Table 7-2).	

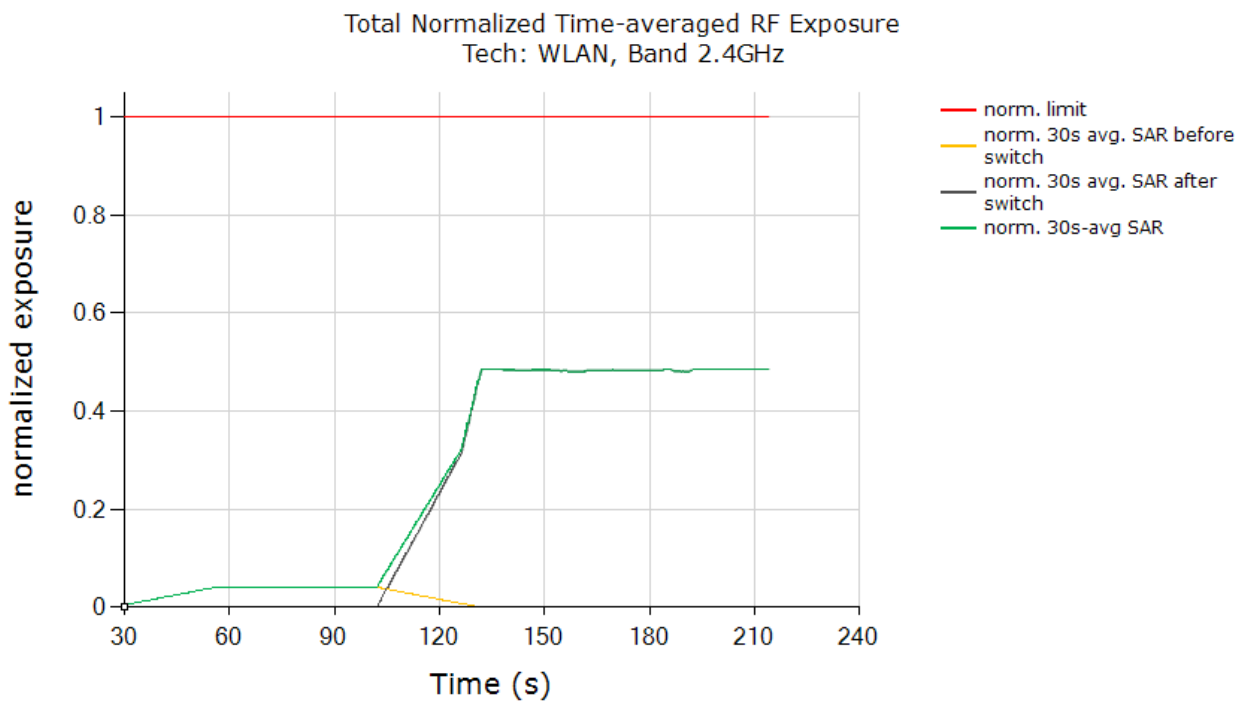
FCC ID: C3K2085	PART 2 RF EXPOSURE EVALUATION REPORT	Approved by: Technical Manager
Document S/N: 1M2311170118-22.C3K	DUT Type: Portable Computing Device	Page 27 of 40

8.2 DSI Switch Test Case

This test was conducted with callbox requesting maximum power, and with DSI switch from WLAN Band 2.4 GHz, antenna Left, DSI = 0 (Laptop) to DSI = 1 (Tablet). Following procedure detailed in Section 5.2.3 using the measurement setup shown in Figure 6 -1, the DSI switch was performed when the DUT is transmitting at $P_{reserve}$ level as shown in the plot below.

Test result for change in DSI:

All the time-averaged conducted Tx power measurement results were converted into time-averaged normalized SAR values using Equation (4a), (4b) and (4c), and plotted below to demonstrate that the time-averaged normalized SAR versus time does not exceed the FCC limit of 1 unit.



	(W/kg)
FCC normalized total exposure limit	1.0
Max 30s-time averaged normalized SAR (green curve)	0.487
Validated	

The test result validated the continuity of power limiting in DSI switch scenario.

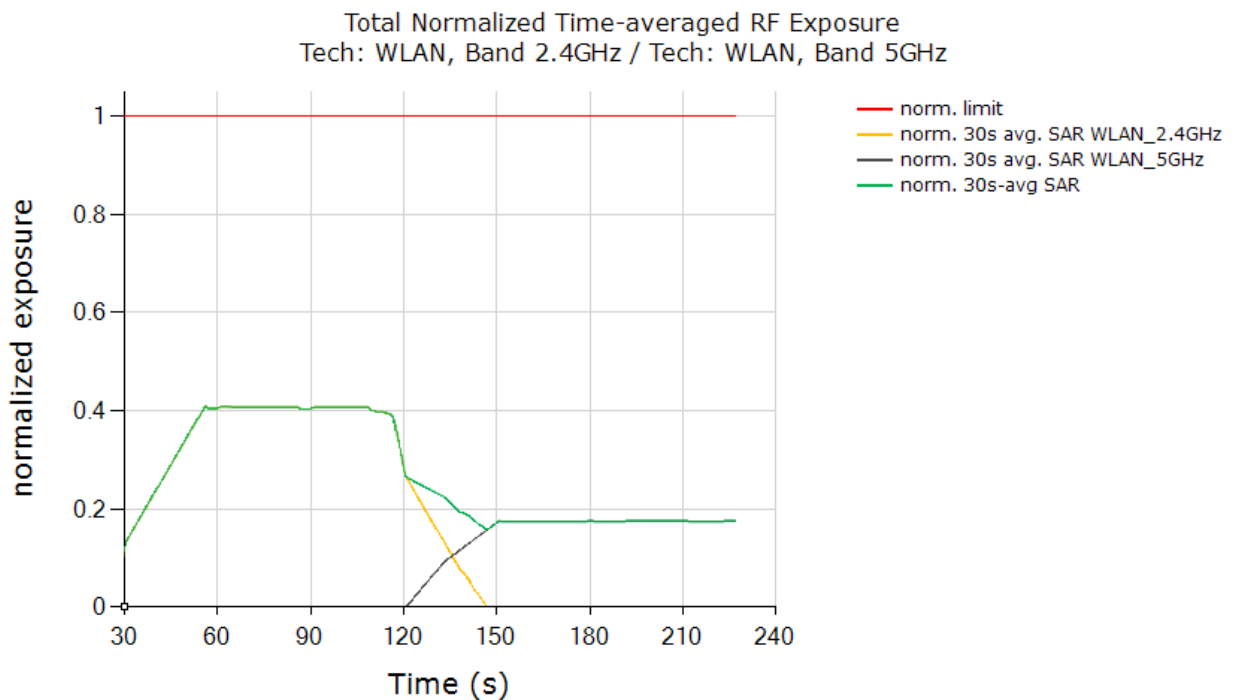
FCC ID: C3K2085	PART 2 RF EXPOSURE EVALUATION REPORT	Approved by: Technical Manager
Document S/N: 1M2311170118-22.C3K	DUT Type: Portable Computing Device	Page 28 of 40

8.3 Change in Band Test Case

This test was conducted with a callbox requesting maximum power, and with a band switch WLAN Band 2.4 GHz, DSI = 1, antenna Right to WLAN Band 5 GHz, DSI = 1, antenna Right. Following procedure detailed in Section 5.2.4 and using the measurement setup shown in Figure 6-1, the technology/band switch was performed when the DUT is transmitting at $P_{reserve}$ level as shown in the plot below.

Test result for change in technology/band:

Time-averaged conducted Tx power measurement results were converted into time-averaged normalized SAR values using Equation (4a), (4b) and (4c), and plotted below to demonstrate that the time-averaged normalized SAR versus time does not exceed the normalized FCC limit of 1.0:



	(W/kg)
FCC normalized SAR limit	1.0
Max 30s-time averaged normalized SAR (green curve)	0.411
Validated	

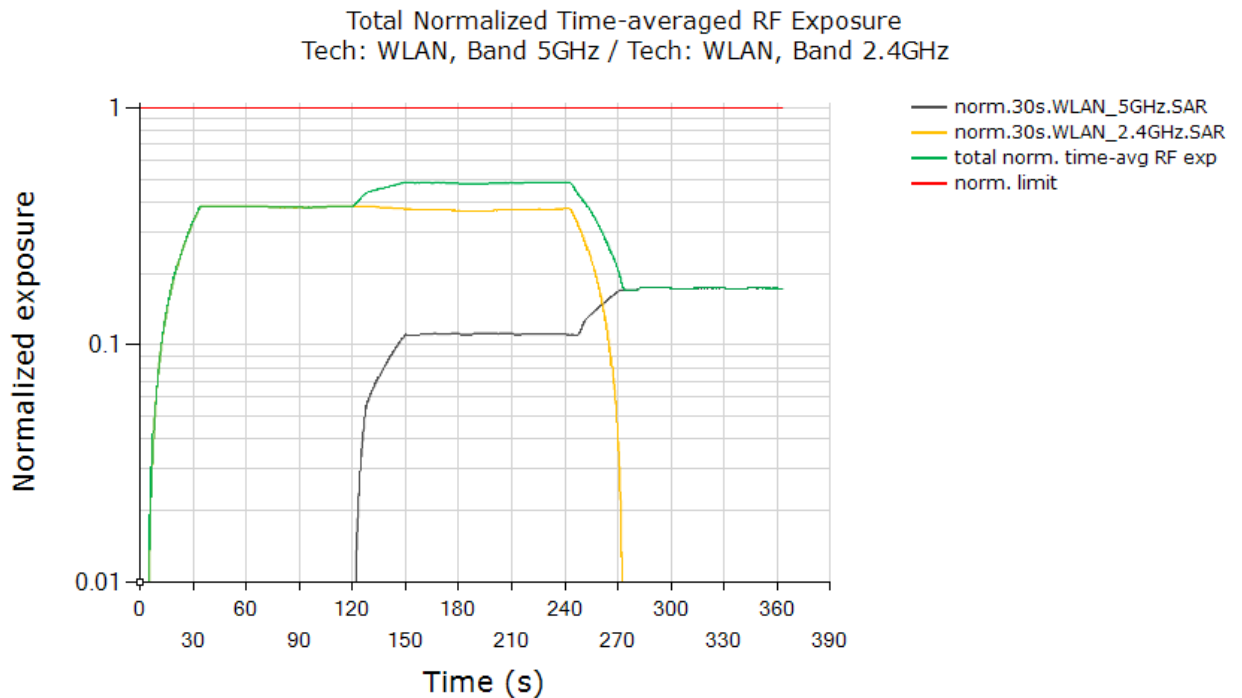
The test result validated the continuity of power limiting in technology/band switch scenario.

FCC ID: C3K2085	PART 2 RF EXPOSURE EVALUATION REPORT	Approved by: Technical Manager
Document S/N: 1M2311170118-22.C3K	DUT Type: Portable Computing Device	Page 29 of 40

8.4 Simultaneous Transmissions (DBS)

This test was conducted with a callbox requesting maximum power, and with the EUT in WLAN 2.4GHz + WLAN 5GHz call. Following procedure detailed in Section 5.2.5, and using the measurement setup shown in Figure 6-1, since WLAN channels are sharing the same antenna port, the SAR exposure switch measurement is performed with the EUT in various SAR exposure scenarios, i.e., in SAR_{WLAN 2.4GHz} only scenario (t =0s ~120s), SAR_{WLAN 2.4GHz} + SAR_{WLAN 5GHz} scenario (t =120s ~ 240s) and SAR_{WLAN 5GHz} only scenario (t > 240s).

Plot Notes: All the conducted Tx power measurement results were converted into time-averaged normalized SAR values using Equation (4a), (4b) and (4c), and plotted below to demonstrate that the time-averaged normalized SAR versus time does not exceed the FCC limit of 1 unit. Equation (7a) is used to convert the WLAN Tx power of device to obtain 30s-averaged normalized SAR in WLAN 5GHz as shown in black curve. Similarly, equation (4b) is used to obtain 30s-averaged normalized SAR in WLAN 2.4GHz as shown in orange curve. Equation (c) is used to obtain total time-averaged normalized SAR as shown in green curve (i.e., sum of black and orange curves).



	(W/kg)
FCC normalized total exposure limit	1.0
Max time averaged normalized SAR (green curve)	0.486
Validated	

Plot Notes: In this test, the total time-averaged normalized RF exposure (green curve) did not exceed normalized limit of 1.0 at all times, the above test result validated the continuity of power limiting in SAR exposure switch scenario.

FCC ID: C3K2085	PART 2 RF EXPOSURE EVALUATION REPORT	Approved by: Technical Manager
Document S/N: 1M231170118-22.C3K	DUT Type: Portable Computing Device	Page 30 of 40

9 SYSTEM VERIFICATION (FREQ < 6 GHZ)

9.1 Tissue Verification

**Table 9-1
Measured Tissue Properties**

Calibrated for Tests Performed on:	Tissue Type	Tissue Temp During Calibration (°C)	Measured Frequency (MHz)	Measured Conductivity, σ (S/m)	Measured Dielectric Constant, ϵ	TARGET Conductivity, σ (S/m)	TARGET Dielectric Constant, ϵ	% dev σ	% dev ϵ
04/02/2024	2450 Head	22.6	2320	1.727	37.734	1.687	39.460	2.37%	-4.37%
			2400	1.787	37.615	1.756	39.289	1.77%	-4.26%
			2450	1.828	37.529	1.800	39.200	1.56%	-4.26%
			2480	1.852	37.480	1.833	39.162	1.04%	-4.29%
			2550	1.909	37.351	1.909	39.073	0.00%	-4.41%
			2560	1.917	37.335	1.920	39.060	-0.16%	-4.42%
04/02/2024	5250 Head	20.00	5210	4.483	35.739	4.666	35.975	-3.92%	-0.66%
			5220	4.498	35.710	4.676	35.963	-3.81%	-0.70%
			5240	4.526	35.696	4.696	35.940	-3.62%	-0.68%
			5260	4.542	35.679	4.717	35.917	-3.71%	-0.66%
			5270	4.549	35.660	4.727	35.906	-3.77%	-0.69%
			5280	4.557	35.628	4.737	35.894	-3.80%	-0.74%

The above measured tissue parameters were used in the DASY software. The DASY software was used to perform interpolation to determine the dielectric parameters at the SAR test device frequencies (per KDB Publication 865664 D01v01r04 and IEEE 1528-2013 6.6.1.2). The tissue parameters listed in the SAR test plots may slightly differ from the table above due to significant digit rounding in the software.

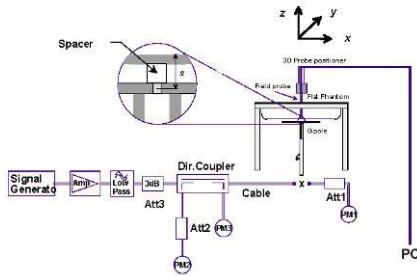
FCC ID: C3K2085	PART 2 RF EXPOSURE EVALUATION REPORT	Approved by: Technical Manager
Document S/N: 1M2311170118-22.C3K	DUT Type: Portable Computing Device	Page 31 of 40

9.2 Test System Verification

Prior to SAR assessment, the system is verified to $\pm 10\%$ of the SAR measurement on the reference dipole at the time of calibration by the calibration facility. Full system validation status and result summary can be found in Appendix C.

**Table 9-2
System Verification Results**

System Verification TARGET & MEASURED													
SAR System #	Tissue Frequency (MHz)	Tissue Type	Date	Amb. Temp (°C)	Liquid Temp (°C)	Input Power (W)	Source SN	Probe SN	DAE	Measured SAR _{1g} (W/kg)	1 W Target SAR _{1g} (W/kg)	1 W Normalized SAR _{1g} (W/kg)	Deviation _{1g} (%)
M	2450	HEAD	4/2/2024	23.1	23.1	0.10	719	7551	1323	5.470	55.000	54.700	-0.55%
N	5250	HEAD	4/2/2024	20.0	20.0	0.05	1057	7571	859	3.780	79.400	75.600	-4.79%



**Figure 9-1
System Verification Setup Diagram**



**Figure 9-2
System Verification Setup Photo**

FCC ID: C3K2085	PART 2 RF EXPOSURE EVALUATION REPORT	Approved by: Technical Manager
Document S/N: 1M2311170118-22.C3K	DUT Type: Portable Computing Device	Page 32 of 40

10 SAR TEST RESULTS (FREQ < 6 GHZ)

10.1 Time-varying Tx Power Case

Following Section 4.4 procedure, time-averaged SAR measurements are conducted using a SAR probe at peak location of area scan over 120 seconds. cDASY6 system verification for SAR measurement is provided in Section 10, and the associated SPEAG certificates are attached in Appendix F.

SAR probe integration times depend on the communication signal being tested as defined in the probe calibration parameters.

Since the sampling rate used by cDASY6 for pointSAR measurements is not in user control, the number of points in 30s interval is determined from the scan duration setting in cDASY6 time-average pointSAR measurement by (30s cDASY6_scan_duration * total number of pointSAR values recorded). Running average is performed over these number of points in excel spreadsheet to obtain 30s averaged point SAR.

Following Section 4.4, for each of selected technology/band (listed in Table 7-2):

1. With *Reserve_power_margin* set to 0 dB, area scan is performed at P_{limit} , and time-averaged pointSAR measurements are conducted to determine the pointSAR at P_{limit} at peak location, denoted as $pointSAR_{P_{limit}}$.
2. With *Reserve_power_margin* set to actual (intended) value, two more time-averaged pointSAR measurements are performed at the same peak location for test sequences 1 and 2.

To demonstrate compliance, all the pointSAR measurement results were converted into 1gSAR or 10gSAR values by using Equation (3a), rewritten below:

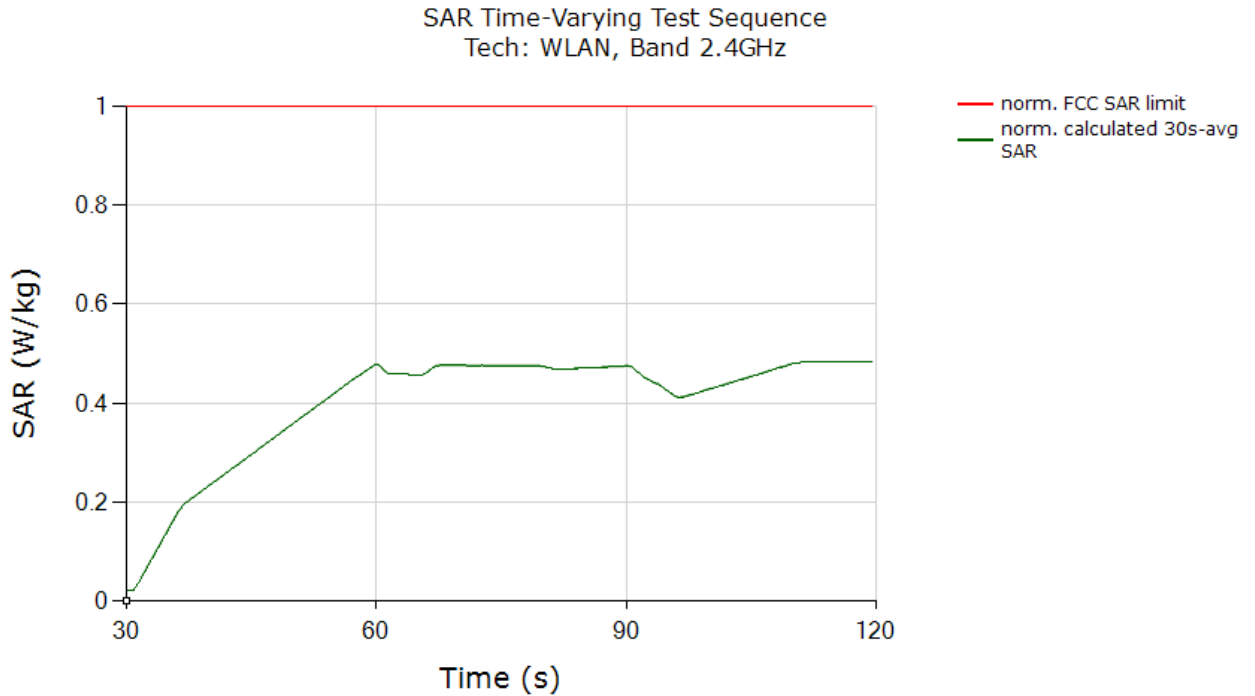
$$1g_or_10gSAR(t) = \frac{pointSAR(t)}{pointSAR_{P_{limit}}} * 1g_or_10gSAR_{P_{limit}} \quad (3a)$$

where, $pointSAR(t)$, $pointSAR_{P_{limit}}$, and $1g_or_10gSAR_{P_{limit}}$ correspond to the measured instantaneous point SAR, measured point SAR at P_{limit} from above step 1 and 2, and measured 1gSAR or 10gSAR values at P_{limit} obtained from Part 1 report and listed in Table 7-2 of this report.

FCC ID: C3K2085	PART 2 RF EXPOSURE EVALUATION REPORT	Approved by: Technical Manager
Document S/N: 1M2311170118-22.C3K	DUT Type: Portable Computing Device	Page 33 of 40

10.1.1 WLAN Band 2.4 GHz, Antenna Left

SAR test results for test sequence 1:

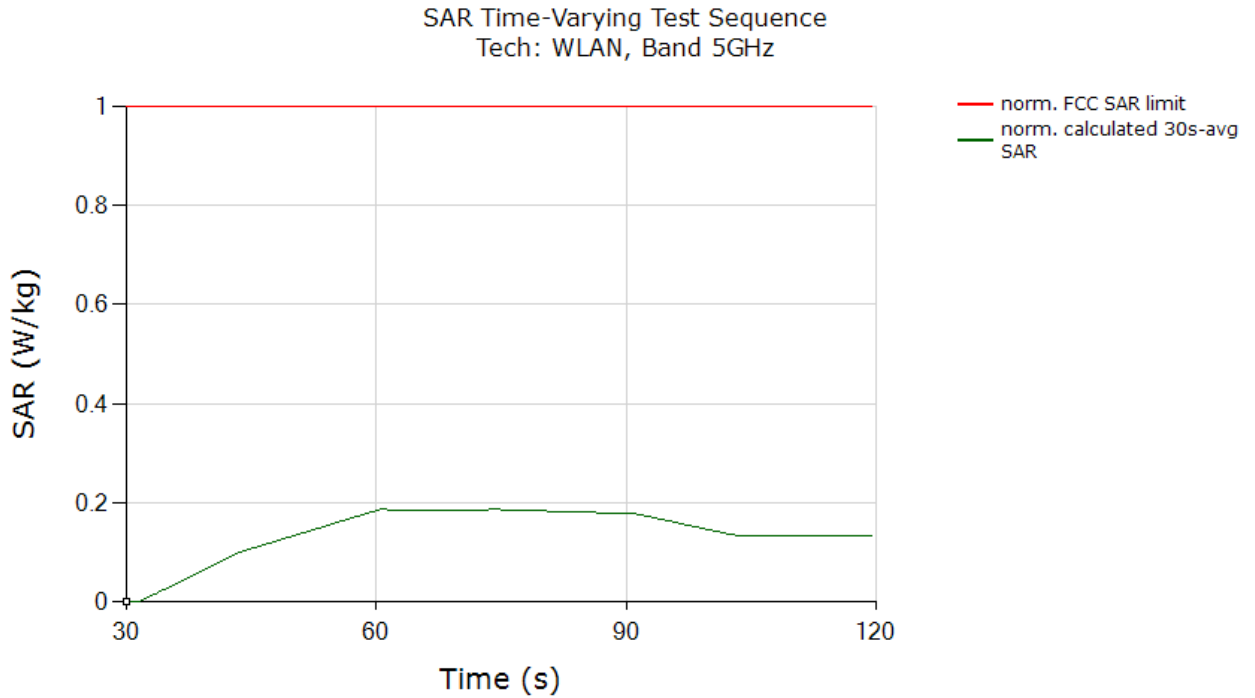


	(W/kg)
FCC 1gSAR limit	1.6
Max 30s-time averaged point 1gSAR (green curve)	0.774
Validated: Max time averaged SAR (green curve) is within 1 dB device uncertainty of measured SAR at P_{limit} (worst case SAR at P_{lim} column in Table 7-2).	

FCC ID: C3K2085	PART 2 RF EXPOSURE EVALUATION REPORT	Approved by: Technical Manager
Document S/N: 1M2311170118-22.C3K	DUT Type: Portable Computing Device	Page 34 of 40

10.1.2 WLAN Band 5 GHz, Antenna Right

SAR test results for test sequence 1:



	(W/kg)
FCC 1gSAR limit	1.6
Max 30s-time averaged point 1gSAR (green curve)	0.300
Validated: Max time averaged SAR (green curve) is within 1 dB device uncertainty of measured SAR at P_{limit} (worst case SAR at P_{lim} column in Table 7-2).	

FCC ID: C3K2085	PART 2 RF EXPOSURE EVALUATION REPORT	Approved by: Technical Manager
Document S/N: 1M2311170118-22.C3K	DUT Type: Portable Computing Device	Page 35 of 40

11 EQUIPMENT LIST

Manufacturer	Model	Description	Cal Date	Cal Interval	Cal Due	Serial Number
Agilent	8594A	(9kHz-2.9GHz) Spectrum Analyzer	N/A	N/A	N/A	3051A00187
Agilent	E4438C	ESG Vector Signal Generator	3/15/2024	Annual	3/15/2025	MY47420651
Agilent	N9020A	MXA Signal Analyzer	10/17/2023	Annual	10/17/2024	MY51240479
Amplifier Research	15S1G6	Amplifier	CBT	N/A	CBT	433972
Anritsu	ML2496A	Power Meter	6/15/2023	Annual	6/15/2024	1138001
Anritsu	MA2411B	Pulse Power Sensor	6/15/2023	Annual	6/15/2024	1126066
COMTech	AR85729-5	Solid State Amplifier	CBT	N/A	CBT	M155A00-009
Control Company	4025	Long Stem Thermometer	9/15/2022	Biennial	9/15/2024	221767774
K & L	11SH10-1300/U4000	High Pass Filter	CBT	N/A	CBT	11SH10-1300/U4000 - 2
MCL	BW-N6W5+	6dB Attenuator	CBT	N/A	CBT	1139
Mini Circuits	ZA2PD2-63-S+	Power Splitter	CBT	N/A	CBT	SUU64901930
Mini Circuits	ZAPD-2-272-S+	Power Splitter	CBT	N/A	CBT	SF702001405
MiniCircuits	NLP-1200+	Low Pass Filter	CBT	N/A	CBT	VUU78201318
MiniCircuits	VHF-3800	High Pass Filter	CBT	N/A	CBT	N/A
Mini-Circuits	BW-N20W5+	DC to 18 GHz Precision Fixed 20 dB Attenuator	CBT	N/A	CBT	N/A
Mini-Circuits	NLP-2950+	Low Pass Filter DC to 2700 MHz	CBT	N/A	CBT	N/A
Mini-Circuits	NLP-1200+	Low Pass Filter DC to 1000 MHz	CBT	N/A	CBT	N/A
Mini-Circuits	BW-N20W5	Power Attenuator	CBT	N/A	CBT	1226
Narda	4216-10	Directional Coupler, 0.5 to 8.0 GHz, 10 dB	CBT	N/A	CBT	01492
Narda	4216-10	Directional Coupler, 0.5 to 8.0 GHz, 10 dB	CBT	N/A	CBT	01493
Narda	BW-S3W2	Attenuator	CBT	N/A	CBT	120
Narda	BW-S10W2+	Attenuator	CBT	N/A	CBT	831
Narda	4014C-6	4 - 8 GHz SMA 6 dB Directional Coupler	CBT	N/A	CBT	N/A
Newmark System	NSC-G2	Motion Controller	CBT	N/A	CBT	1007-D
Pasternack	PE2208-6	Bidirectional Coupler	CBT	N/A	CBT	N/A
Pasternack	PE2209-10	Bidirectional Coupler	CBT	N/A	CBT	N/A
Rohde & Schwarz	CMW500	Radio Communication Tester	8/9/2023	Annual	8/9/2024	162125
Rohde & Schwarz	CMW500	Radio Communication Tester	8/10/2023	Annual	8/10/2024	140144
Rohde & Schwarz	NRP85	3-Path Dipole Power Sensor	12/14/2023	Annual	12/14/2024	109052
Rohde & Schwarz	NRP85	3-Path Dipole Power Sensor	12/14/2023	Annual	12/14/2024	108168
SPEAG	DAK-3.5	Dielectric Assessment Kit	8/14/2023	Annual	8/14/2024	1041
SPEAG	D2450V2	2450 MHz SAR Dipole	8/18/2021	Triennial	8/18/2024	719
SPEAG	D5GHzV2	5 GHz SAR Dipole	2/21/2024	Annual	2/21/2025	1057
SPEAG	DAE4	Dasy Data Acquisition Electronics	11/15/2023	Annual	11/15/2024	1323
SPEAG	DAE4	Dasy Data Acquisition Electronics	1/17/2024	Annual	1/17/2025	859
SPEAG	EX3DV4	SAR Probe	11/14/2023	Annual	11/14/2024	7551
SPEAG	EX3DV4	SAR Probe	1/11/2024	Annual	1/11/2025	7571

Notes:

1. CBT (Calibrated Before Testing). Prior to testing, the measurement paths containing a cable, amplifier, attenuator, coupler, or filter were connected to a calibrated source (i.e. a signal generator) to determine the losses of the measurement path. The power meter offset was then adjusted to compensate for the measurement system losses. This level offset is stored within the power meter before measurements are made. This calibration verification procedure applies to the system verification and output power measurements. The calibrated reading is then taken directly from the power meter after compensation of the losses for all final power measurements.
2. Each equipment item is used solely within its respective calibration period.

FCC ID: C3K2085	PART 2 RF EXPOSURE EVALUATION REPORT	Approved by: Technical Manager
Document S/N: 1M2311170118-22.C3K	DUT Type: Portable Computing Device	Page 36 of 40

12 MEASUREMENT UNCERTAINTIES

For SAR Measurements

a	c	d	e= f(d,k)	f	g	h = c x f/e	i = c x g/e	k
Uncertainty Component	Tol. (± %)	Prob. Dist.	Div. Div.	c ₁ 1gm	c ₁ 10 gms	1gm u ₁ (± %)	10gms u ₁ (± %)	v ₁
Measurement System								
Probe Calibration	6.55	N	1	1.0	1.0	6.6	6.6	∞
Axial Isotropy	0.25	N	1	0.7	0.7	0.2	0.2	∞
Hemishperical Isotropy	1.3	N	1	0.7	0.7	0.9	0.9	∞
Boundary Effect	2.0	R	1.73	1.0	1.0	1.2	1.2	∞
Linearity	0.3	N	1	1.0	1.0	0.3	0.3	∞
System Detection Limits	0.25	R	1.73	1.0	1.0	0.1	0.1	∞
Readout Electronics	0.3	N	1	1.0	1.0	0.3	0.3	∞
Response Time	0.8	R	1.73	1.0	1.0	0.5	0.5	∞
Integration Time	2.6	R	1.73	1.0	1.0	1.5	1.5	∞
RF Ambient Conditions - Noise	3.0	R	1.73	1.0	1.0	1.7	1.7	∞
RF Ambient Conditions - Reflections	3.0	R	1.73	1.0	1.0	1.7	1.7	∞
Probe Positioner Mechanical Tolerance	0.4	R	1.73	1.0	1.0	0.2	0.2	∞
Probe Positioning w/ respect to Phantom	6.7	R	1.73	1.0	1.0	3.9	3.9	∞
Extrapolation, Interpolation & Integration algorithms for Max. SAR Evaluation	4.0	R	1.73	1.0	1.0	2.3	2.3	∞
Test Sample Related								
Test Sample Positioning	2.7	N	1	1.0	1.0	2.7	2.7	35
Device Holder Uncertainty	1.67	N	1	1.0	1.0	1.7	1.7	5
Output Power Variation - SAR drift measurement	5.0	R	1.73	1.0	1.0	2.9	2.9	∞
SAR Scaling	0.0	R	1.73	1.0	1.0	0.0	0.0	∞
Phantom & Tissue Parameters								
Phantom Uncertainty (Shape & Thickness tolerances)	7.6	R	1.73	1.0	1.0	4.4	4.4	∞
Liquid Conductivity - measurement uncertainty	4.2	N	1	0.78	0.71	3.3	3.0	10
Liquid Permittivity - measurement uncertainty	4.1	N	1	0.23	0.26	1.0	1.1	10
Liquid Conductivity - Temperature Uncertainty	3.4	R	1.73	0.78	0.71	1.5	1.4	∞
Liquid Permittivity - Temperature Uncertainty	0.6	R	1.73	0.23	0.26	0.1	0.1	∞
Liquid Conductivity - deviation from target values	5.0	R	1.73	0.64	0.43	1.8	1.2	∞
Liquid Permittivity - deviation from target values	5.0	R	1.73	0.60	0.49	1.7	1.4	∞
Combined Standard Uncertainty (k=1)	RSS					11.5	11.3	60
Expanded Uncertainty (95% CONFIDENCE LEVEL)	k=2					23.0	22.6	

FCC ID: C3K2085	PART 2 RF EXPOSURE EVALUATION REPORT	Approved by: Technical Manager
Document S/N: 1M231170118-22.C3K	DUT Type: Portable Computing Device	Page 37 of 40

13 CONCLUSION

13.1 Measurement Conclusion

The SAR evaluation indicates that the DUT complies with the RF radiation exposure limits of the FCC and Innovation, Science, and Economic Development Canada, with respect to all parameters subject to this test. These measurements were taken to simulate the RF effects of RF exposure under worst-case conditions. Precise laboratory measures were taken to assure repeatability of the tests. The results and statements relate only to the item(s) tested.

Please note that the absorption and distribution of electromagnetic energy in the body are very complex phenomena that depend on the mass, shape, and size of the body, the orientation of the body with respect to the field vectors, and the electrical properties of both the body and the environment. Other variables that may play a substantial role in possible biological effects are those that characterize the environment (e.g. ambient temperature, air velocity, relative humidity, and body insulation) and those that characterize the individual (e.g. age, gender, activity level, debilitation, or disease). Because various factors may interact with one another to vary the specific biological outcome of an exposure to electromagnetic fields, any protection guide should consider maximal amplification of biological effects as a result of field-body interactions, environmental conditions, and physiological variables. [3]

FCC ID: C3K2085	PART 2 RF EXPOSURE EVALUATION REPORT	Approved by: Technical Manager
Document S/N: 1M2311170118-22.C3K	DUT Type: Portable Computing Device	Page 38 of 40

14 REFERENCES

- [1] Federal Communications Commission, ET Docket 93-62, Guidelines for Evaluating the Environmental Effects of Radiofrequency Radiation, Aug. 1996.
- [2] ANSI/IEEE C95.1-2005, American National Standard safety levels with respect to human exposure to radio frequency electromagnetic fields, 3kHz to 300GHz, New York: IEEE, 2006.
- [3] ANSI/IEEE C95.1-1992, American National Standard safety levels with respect to human exposure to radio frequency electromagnetic fields, 3kHz to 300GHz, New York: IEEE, Sept. 1992.
- [4] ANSI/IEEE C95.3-2002, IEEE Recommended Practice for the Measurement of Potentially Hazardous Electromagnetic Fields - RF and Microwave, New York: IEEE, December 2002.
- [5] IEEE Standards Coordinating Committee 39 –Standards Coordinating Committee 34 – IEEE Std. 1528-2013, IEEE Recommended Practice for Determining the Peak Spatial-Average Specific Absorption Rate (SAR) in the Human Head from Wireless Communications Devices: Measurement Techniques.
- [6] NCRP, National Council on Radiation Protection and Measurements, Biological Effects and Exposure Criteria for RadioFrequency Electromagnetic Fields, NCRP Report No. 86, 1986. Reprinted Feb. 1995.
- [7] T. Schmid, O. Egger, N. Kuster, Automated E-field scanning system for dosimetric assessments, IEEE Transaction on Microwave Theory and Techniques, vol. 44, Jan. 1996, pp. 105-113.
- [8] K. Pokovic, T. Schmid, N. Kuster, Robust setup for precise calibration of E-field probes in tissue simulating liquids at mobile communications frequencies, ICECOM97, Oct. 1997, pp. 1 -124.
- [9] K. Pokovic, T. Schmid, and N. Kuster, E-field Probe with improved isotropy in brain simulating liquids, Proceedings of the ELMAR, Zadar, Croatia, June 23-25, 1996, pp. 172-175.
- [10] Schmid & Partner Engineering AG, Application Note: Data Storage and Evaluation, June 1998, p2.
- [11] V. Hombach, K. Meier, M. Burkhardt, E. Kuhn, N. Kuster, The Dependence of EM Energy Absorption upon Human Modeling at 900 MHz, IEEE Transaction on Microwave Theory and Techniques, vol. 44 no. 10, Oct. 1996, pp. 1865-1873.
- [12] N. Kuster and Q. Balzano, Energy absorption mechanism by biological bodies in the near field of dipole antennas above 300MHz, IEEE Transaction on Vehicular Technology, vol. 41, no. 1, Feb. 1992, pp. 17-23.
- [13] G. Hartsgrove, A. Kraszewski, A. Surowiec, Simulated Biological Materials for Electromagnetic Radiation Absorption Studies, University of Ottawa, Bioelectromagnetics, Canada: 1987, pp. 29-36.
- [14] Q. Balzano, O. Garay, T. Manning Jr., Electromagnetic Energy Exposure of Simulated Users of Portable Cellular Telephones, IEEE Transactions on Vehicular Technology, vol. 44, no.3, Aug. 1995.
- [15] W. Gander, Computermathematick, Birkhaeuser, Basel, 1992.
- [16] W.H. Press, S.A. Teukolsky, W.T. Vetterling, and B.P. Flannery, Numerical Recipes in C, The Art of Scientific Computing, Second edition, Cambridge University Press, 1992.

FCC ID: C3K2085	PART 2 RF EXPOSURE EVALUATION REPORT	Approved by: Technical Manager
Document S/N: 1M2311170118-22.C3K	DUT Type: Portable Computing Device	Page 39 of 40

- [17] N. Kuster, R. Kastle, T. Schmid, Dosimetric evaluation of mobile communications equipment with known precision, IEEE Transaction on Communications, vol. E80-B, no. 5, May 1997, pp. 645-652.
- [18] CENELEC CLC/SC111B, European Prestandard (prENV 50166-2), Human Exposure to Electromagnetic Fields High-frequency: 10kHz-300GHz, Jan. 1995.
- [19] Prof. Dr. Niels Kuster, ETH, Eidgenössische Technische Hochschule Zürich, Dosimetric Evaluation of the Cellular Phone.
- [20] IEC 62209-1, Measurement procedure for the assessment of specific absorption rate of human exposure to radio frequency fields from hand-held and body-mounted wireless communication devices - Part 1: Devices used next to the ear (Frequency range of 300 MHz to 6 GHz), July 2016.
- [21] Innovation, Science, Economic Development Canada RSS-102 Radio Frequency Exposure Compliance of Radiocommunication Apparatus (All Frequency Bands) Issue 5, March 2015.
- [22] Health Canada Safety Code 6 Limits of Human Exposure to Radio Frequency Electromagnetic Fields in the Frequency Range from 3 kHz – 300 GHz, 2015
- [23] FCC SAR Test Procedures for 2G-3G Devices, Mobile Hotspot and UMPC Devices KDB Publications 941225, D01-D07
- [24] SAR Measurement Guidance for IEEE 802.11 Transmitters, KDB Publication 248227 D01
- [25] FCC SAR Considerations for Handsets with Multiple Transmitters and Antennas, KDB Publications 648474 D03-D04
- [26] FCC SAR Evaluation Considerations for Laptop, Notebook, Netbook and Tablet Computers, FCC KDB Publication 616217 D04
- [27] FCC SAR Measurement and Reporting Requirements for 100MHz – 6 GHz, KDB Publications 865664 D01-D02
- [28] FCC General RF Exposure Guidance and SAR Procedures for Dongles, KDB Publication 447498, D01-D02
- [29] Anexo à Resolução No. 533, de 10 de Setembro de 2009.
- [30] IEC 62209-2, Human exposure to radio frequency fields from hand-held and body-mounted wireless communication devices - Human models, instrumentation, and procedures - Part 2: Procedure to determine the specific absorption rate (SAR) for wireless communication devices used in close proximity to the human body (frequency range of 30 MHz to 6 GHz), Mar. 2010.

FCC ID: C3K2085	PART 2 RF EXPOSURE EVALUATION REPORT	Approved by: Technical Manager
Document S/N: 1M2311170118-22.C3K	DUT Type: Portable Computing Device	Page 40 of 40