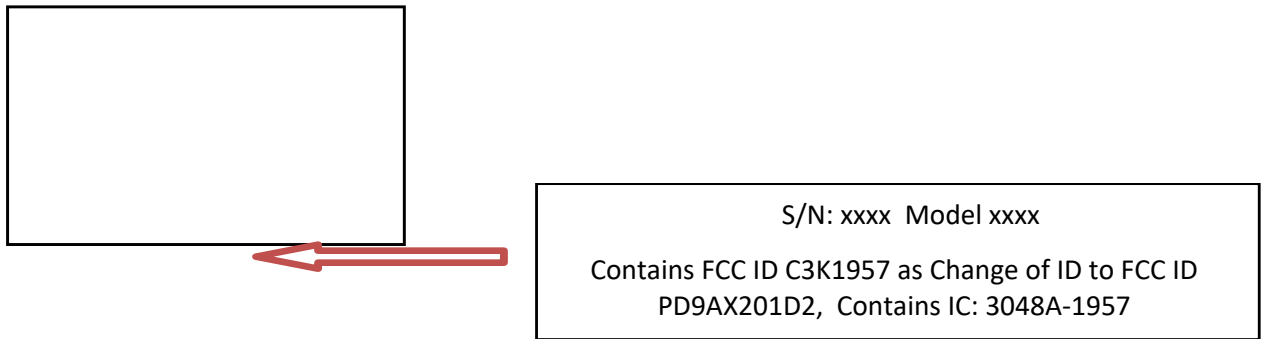


Label Content and Location

M/N 1957



Label located on the bottom edge of the host device