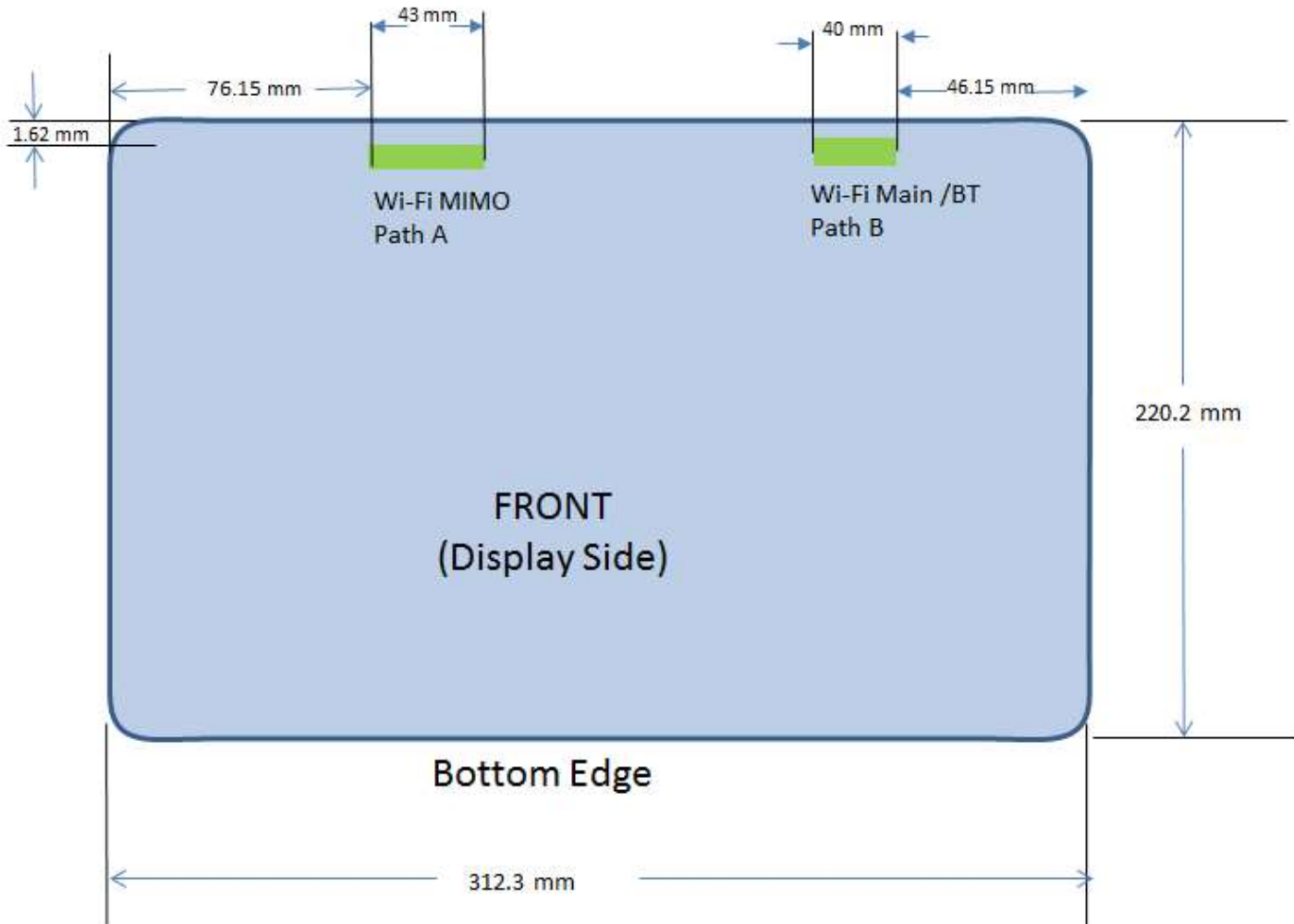
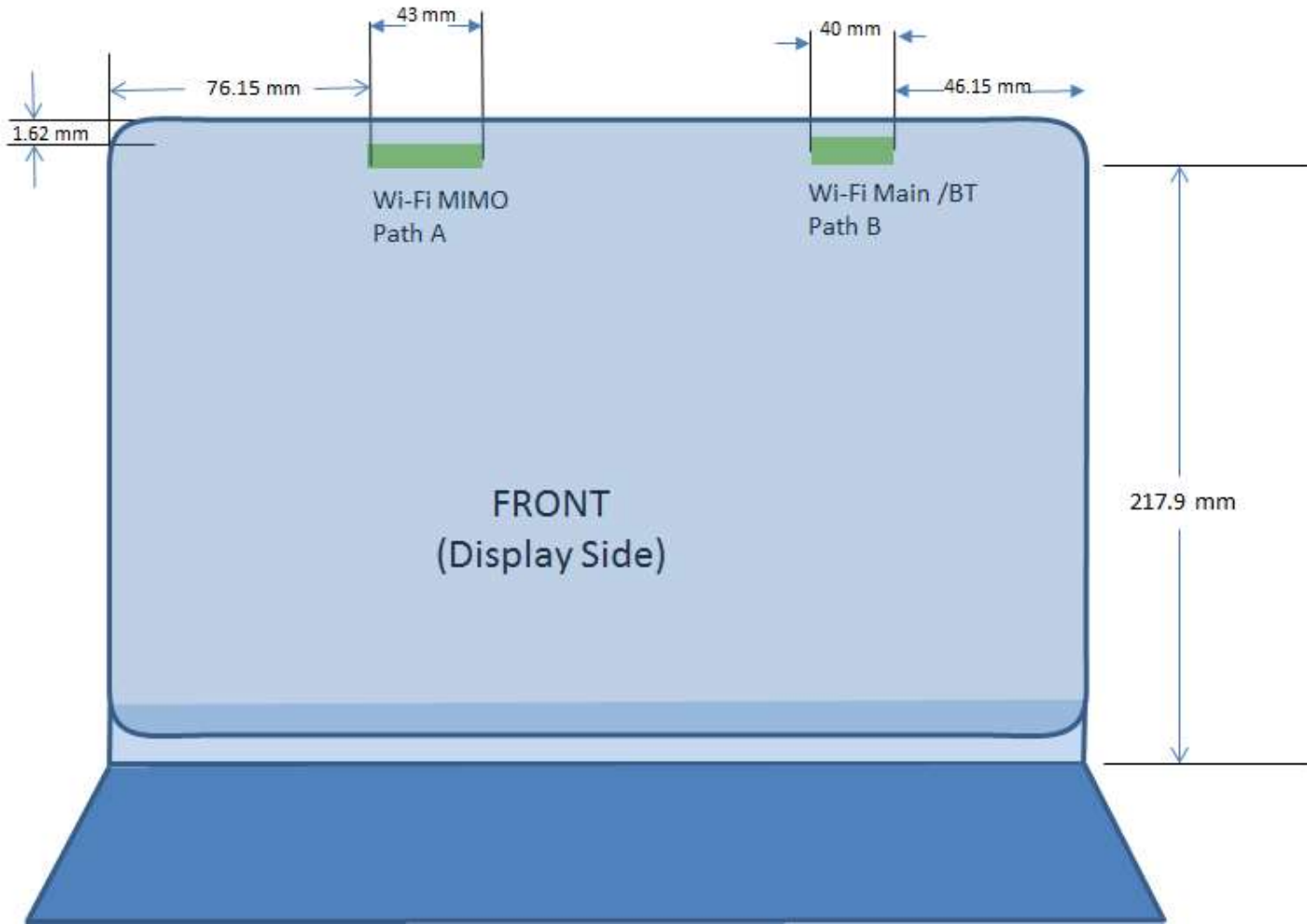


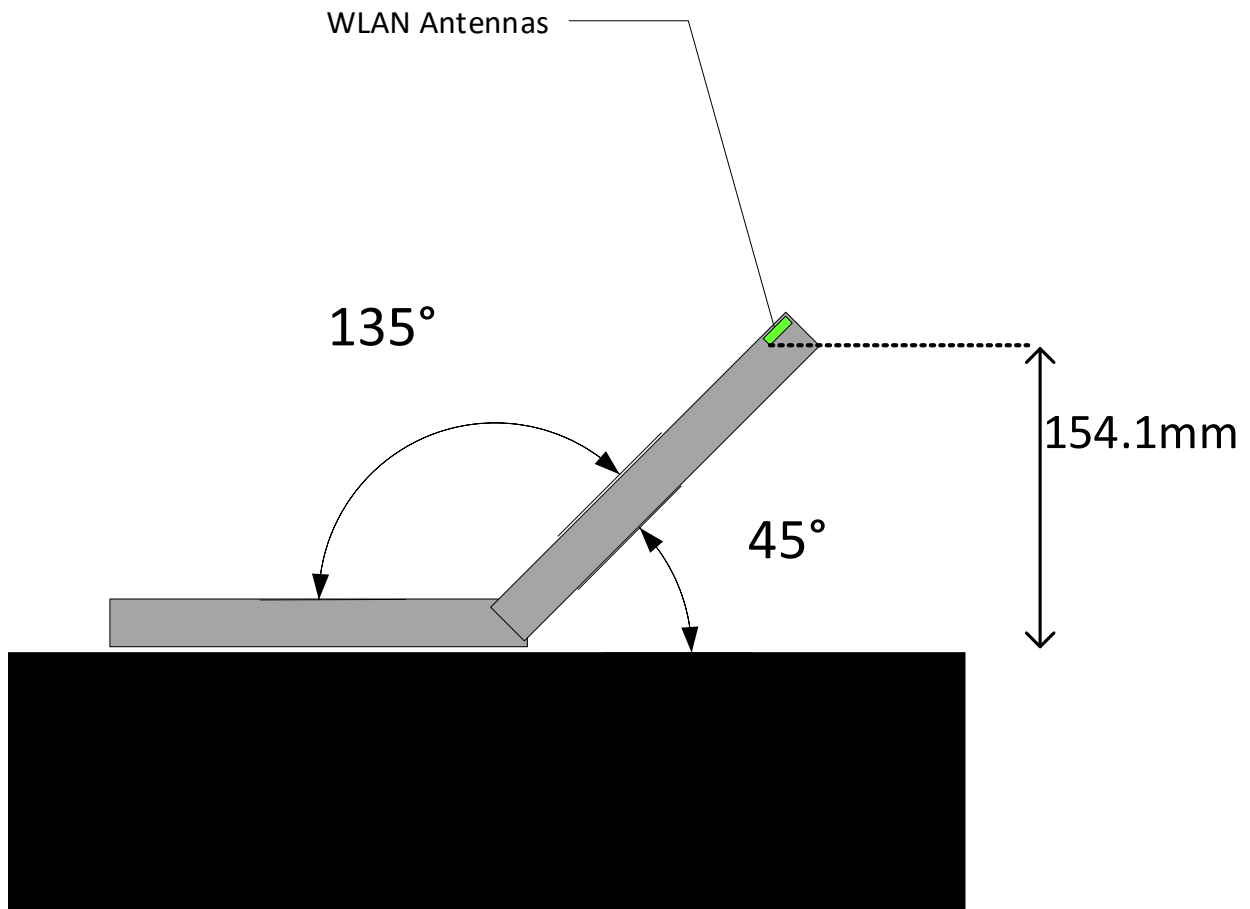
Antenna Position Diagram – Tablet Mode



Antenna Position Diagram – Laptop Mode



Minimum Antenna-User Separation Distances in Laptop Mode



This illustration shows the minimum antenna-user separation distances with the display extended back to its maximum possible range of 135° in laptop mode.

SAR Test Setup Photos

Photo 1

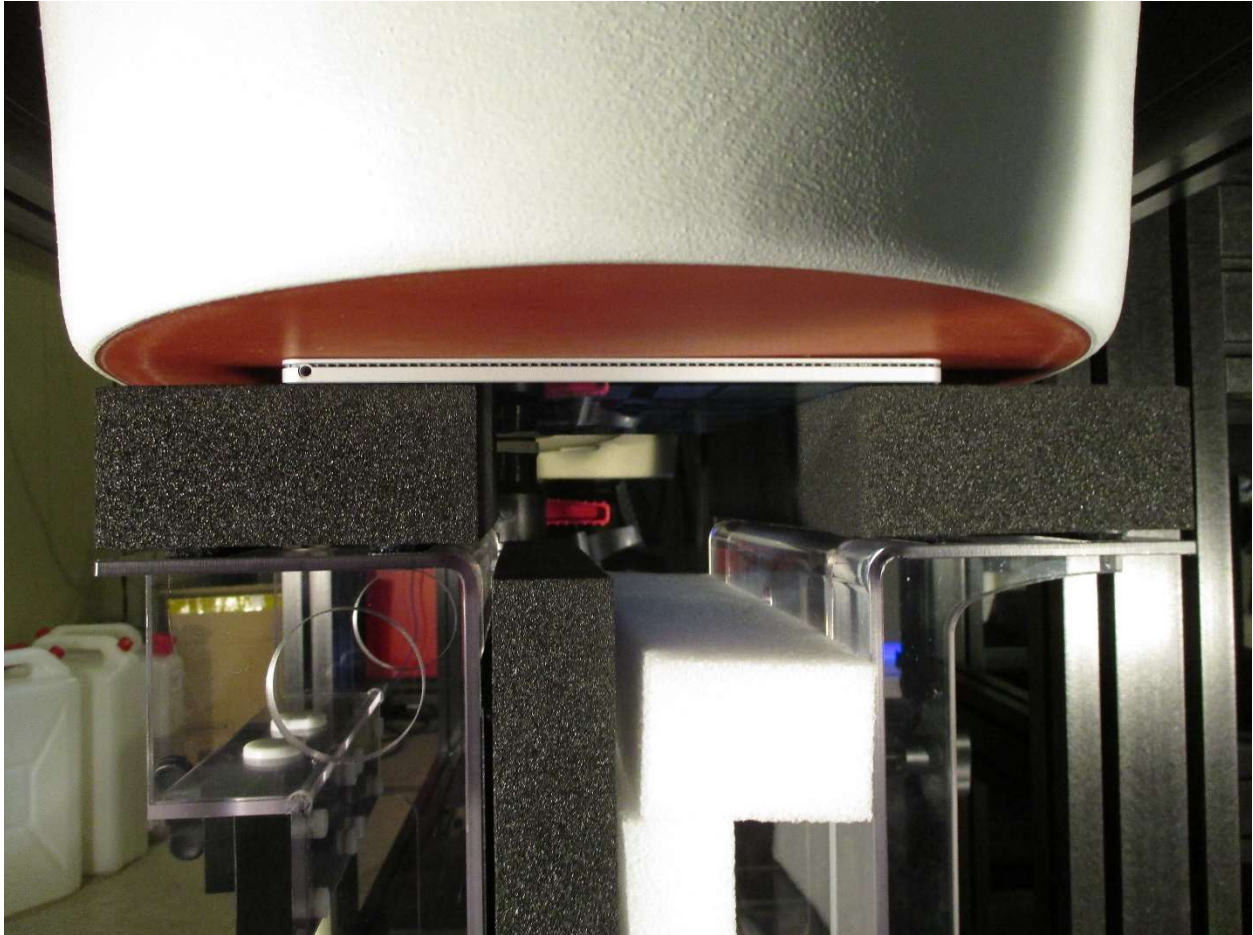


Photo 1 – Back 0mm

Photo 2

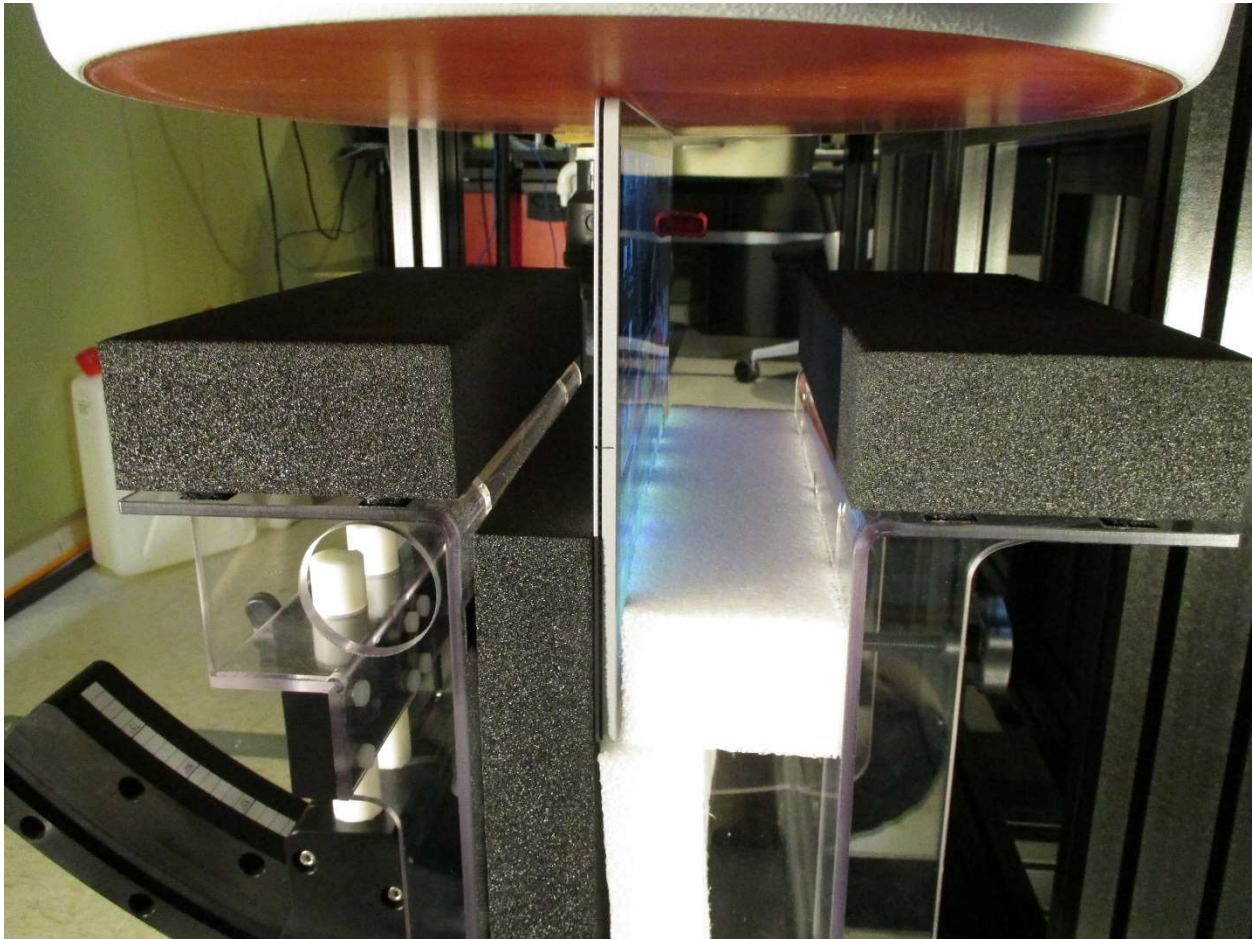


Photo 2 – Top Edge 0mm

Photo 3

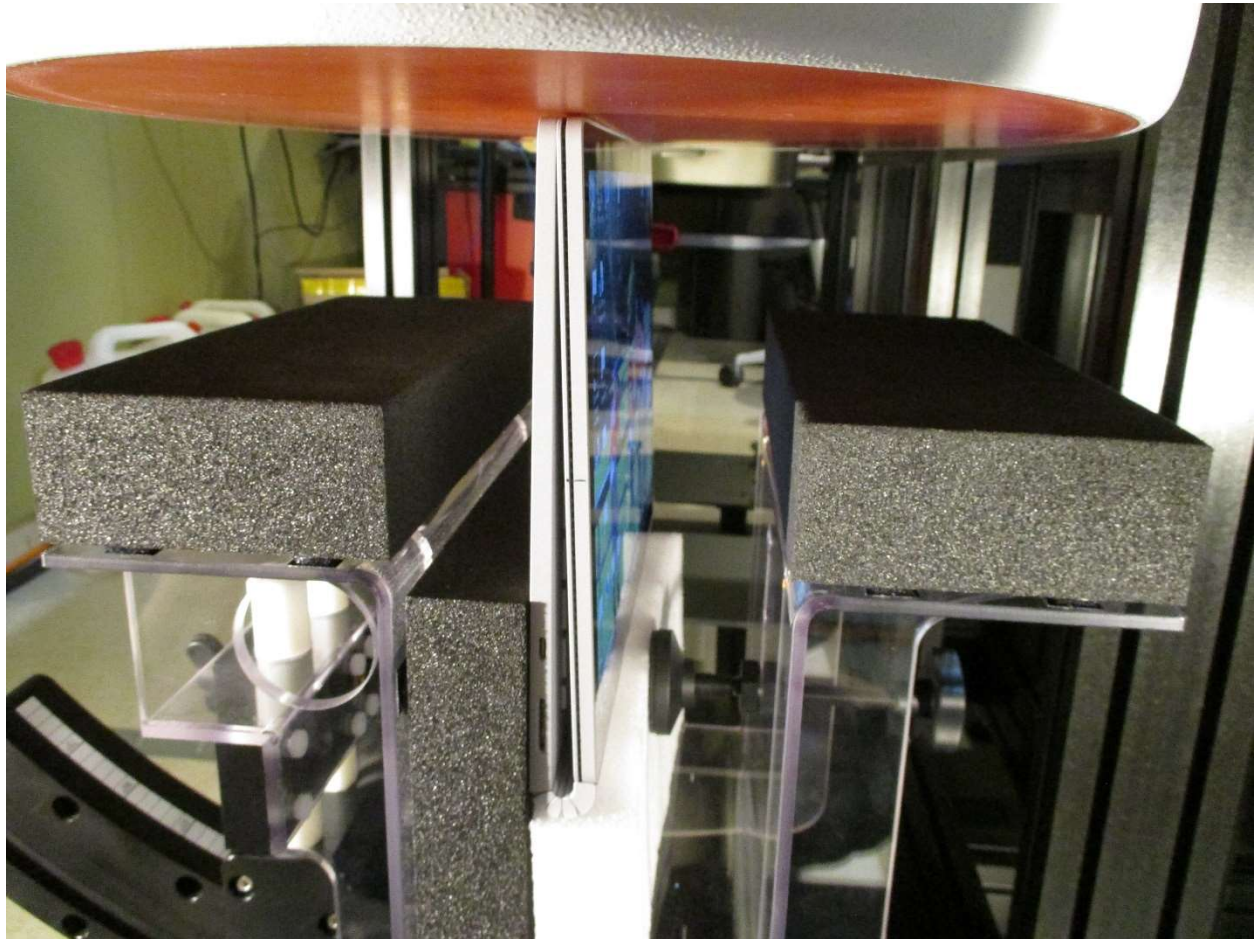


Photo 3 – Top Edge with Keyboard Folded Back 0mm