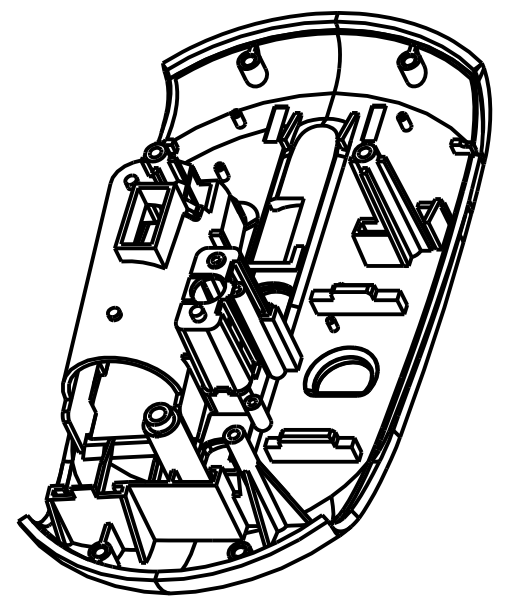
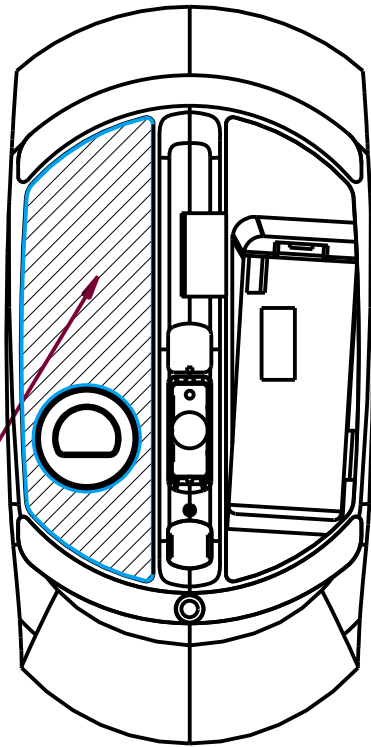
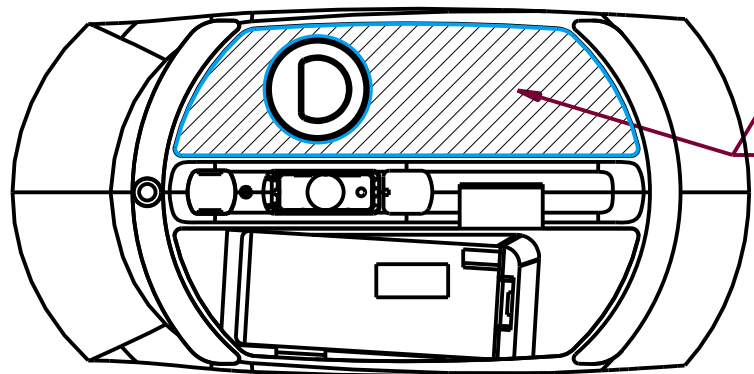
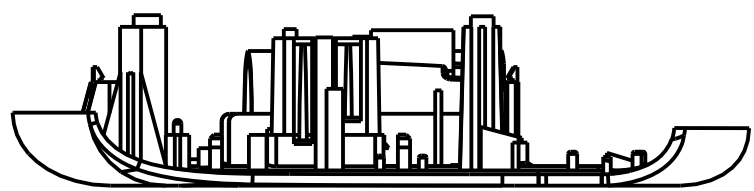
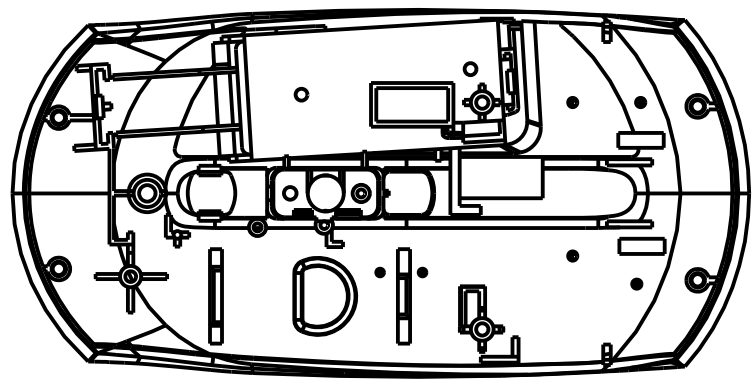


1 2 3 4 5 6

REVISIONS RECORD

ZONE	DESCRIPTION	REV.	DATE	ECN. NO.	REDACTOR
	INITIAL RELEASE				



FCC LABEL LOCATION

MICROLINK Microlink Communications Inc.

.X: ±0.25	.X°: ±1.5°	INTENDED USE:	TITLE:
.XX: ±0.10	.XX°: ±1.0°		FCC LABEL LOCATION
COLOR:	APPD.:	DWG. NO.:	
MATERIAL.:	UNIT: MM	N/A	
N/A	CHKD.:	SCALE: 1/1	PAGE: 1 OF 1
FINISH:	DR.:	DATE:	REV.:

A
B
C
D