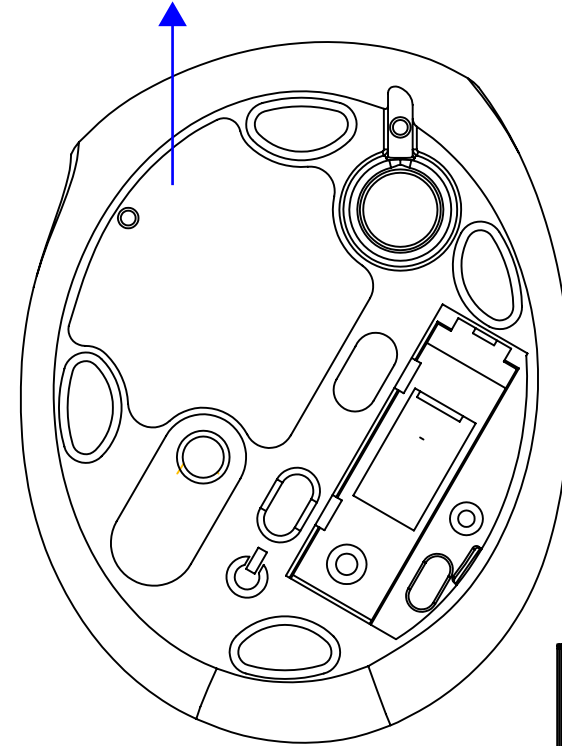
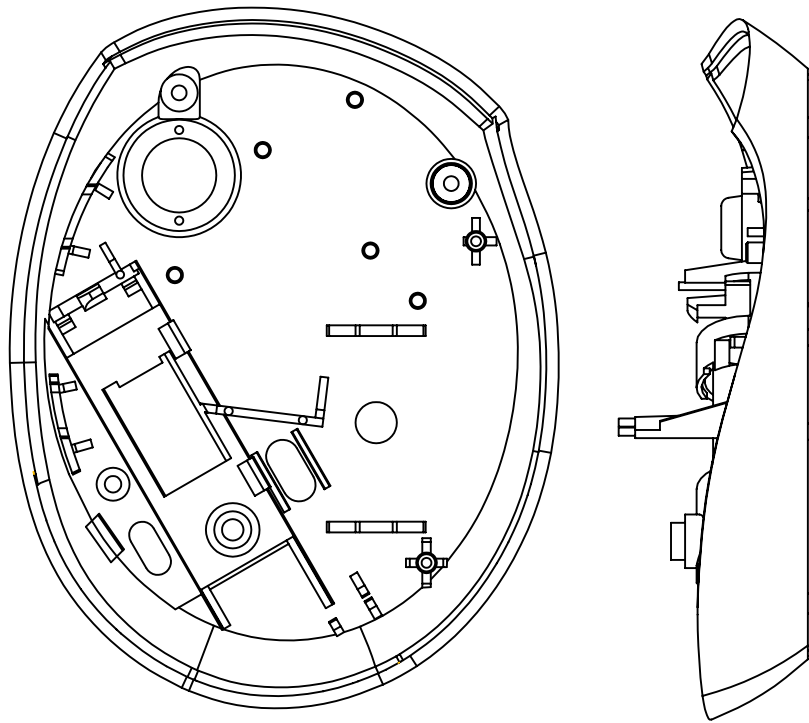


REVISION	0
RELEASED FOR SOURCING ONLY.	
陳明新03/01/2007	1

ITEM	DESCRIPTION	TOOLING NO.	DWG NO.	MATERIAL	MATERIAL COLOR	PAINT(INK) COLOR	Q'TY
1	BOTTOM CASE	1511222201	15120757201	BASF ABS GP22	COAL BLACK	COAL BLACK PAINTED HIGH GLOSSY	1

1. RESTRICTED SUBSTANCE SPEC. PEFERENCE TO: DKC-QCD-S-095
2. PLASTIC MOLDED CASE PARTS WORKMANSHIP STANDARDS REFERENCE TO: DKC-PTD-S-003

FCC ID: C3K1115



RS

TOLERANCES			
LINEAR	INCH	MM	ANGLE
X.X	±	+0.2 -0.2	± 5.0°
X.XX	±	+0.10 -0.10	
X.XXX	±	±	

SHEET 1 OF 1

UNLESS OTHERWISE SPECIFIED

KYE KYE Systems Corporation.

DESCRIPTION: RS,BASE,ALVIN TX,BOTTOM,CASE,DM-060072 DWG NO.: 15120757201

DRAWN BY: 陳明新03/01/2007	CHECKED BY:	APPROVED BY:	REV 1
----------------------------	-------------	--------------	-------