

8

7

6

5

4

3

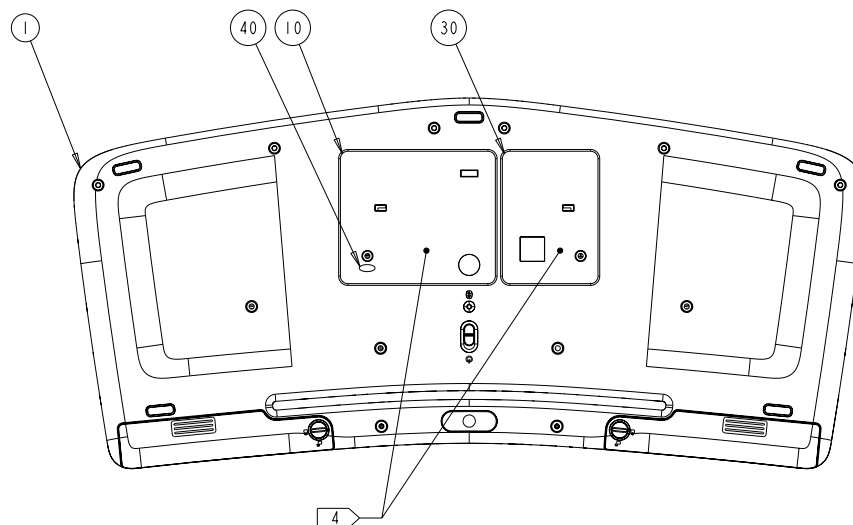
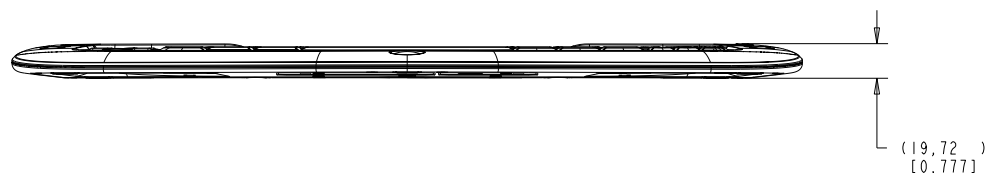
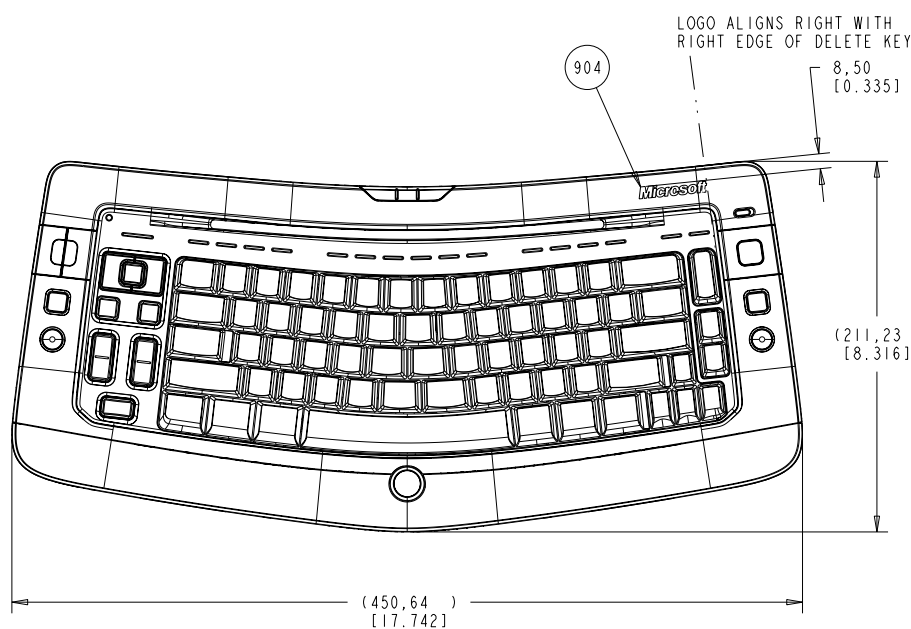
2

1

REV	ECO NO	DESCRIPTION	DRAWN	DATE
A	C14440	INITIAL RELEASE	KSH	6/1/06

NOTES: UNLESS OTHERWISE SPECIFIED

1. PRODUCT CONFIGURATIONS DRIVEN BY MICROSOFT BOM AND SKU MATRIX.
2. THIS DRAWING DEPICTS A 104 KEYBOARD CONFIGURATION. ALL COLORS, MATERIALS AND TEXTURES SHALL BE CONSISTENT ON THE 105, 106, 107, AND 109 KEYBOARDS, SHEET 1.
3. ACTUAL PART GEOMETRY IS CONTROLLED BY 3D CAD DATABASE. DIMENSIONS SHOWN ARE FOR REFERENCE ONLY, UNLESS OTHERWISE SPECIFIED.
4. POLISH LABEL SURFACES TO B2 OR BETTER.
5. ALL LABELS TO BE FLAT AND FREE OF AIR BUBBLES.
6. REFER TO TABLES FOR PRODUCT COSMETIC CONFIGURATIONS.



WIRELESS KEYBOARD

DOCUMENT NO	GENERAL DESCRIPTION
H04721	TEXTURE SPECIFICATION
H04138	PRODUCT SPECIFICATION
<b>APPLICABLE SPECIFICATION TABLE</b>	

THIS DOCUMENT AND THE INFORMATION CONTAINED HEREIN ARE PROPRIETARY TO MICROSOFT CORPORATION AND SHALL NOT BE USED BY, OR DISCLOSED IN WHOLE OR IN PART TO ANYONE OUTSIDE OF MICROSOFT CORPORATION WITHOUT THE PRIOR WRITTEN PERMISSION OF MICROSOFT CORPORATION.

DRAWN	DATE	6/1/06
KSHAYATSU	DATE	6/1/06
CHECKER	DATE	6/1/06
D O'NEIL	DATE	6/1/06
ENGINEER	DATE	6/1/06
C MURZANSKI	DATE	6/1/06
ENGR MGR	DATE	
PROG MGR	DATE	6/1/06
M NEWTON	DATE	6/1/06
WFG ENGR	DATE	
QUALITY	DATE	
TOOLING	DATE	
DOC CONTROL	DATE	6/1/06
G OLIVE	DATE	

**Microsoft**

MS PART NO: SEE BOMS

UNLESS OTHERWISE SPECIFIED  
DIMENSIONS ARE: MM (INCHES)  
TOLERANCES ARE:  
.X = ±.31 (0.1)  
.XX = ±.31 (0.05)  
ANGLES = ±1°  
DO NOT SCALE DRAWING

TITLE:  
**CONFIGURATION SPECIFICATION,  
WIRELESS ENTERTAINMENT  
DESKTOP 8000**

LEGEND:  
■ = CRITICAL DIM  
● = TOOLING DIM  
▲ = PROCESS DIM  
Ⓢ = DIMENSION ID

SIZE: THIRD ANGLE PROJECTION  
DRAWING NO: **H04844**  
SCALE: 1:2  
SHEET: 1 OF 4

8

7

6

5

4

3

2

1

8

7

6

5

4

3

2

1

TABLE 1 (BURBANK KEYBOARD)

DESCRIPTION	MATERIAL				PAINT/IMD		PAD PRINT/ETCHED			
	MS COLOR	COLOR NO.	MATERIAL	TEXTURE	MS COLOR	COLOR NO.	MS COLOR	COLOR NO.	ARTWORK NUMBER	DETAIL
TOP CASE, INNER	CLEAR	N/A		MT-11005	SEATTLE GRAY	X808754-003	TOP CASE FN ROW (ICONS & TEXT): BLUE 646C	X808811-001	SEE BOM	N/A
							TOP CASE "ESC"- "BREAK" ROW	LASER ETCHED	SEE BOM	N/A
MAIN BEZEL, OUTER	PLATINUM GREY	GE GY6A135		MT-11005	STERLING 4 METALLIC	X01-04279-01	MAIN BEZEL TEXT: ANTHRACITE 11	X808755-003	SEE BOM	N/A
METAL BEZEL	N/A	N/A	THIXO	N/A	ANODIZED TO MATCH ALUMINUM	X807304-002	METAL BEZEL: MSLOGO	CHEMICAL ETCHED	SEE BOM	N/A
							METAL BEZEL: ICONS AND REVEAL		SEE BOM	N/A
PALM REST	PLATINUM GREY	GE GY6A135		MT-11005	STERLING 6 METALLIC W/ CLEAR SOFT TOUCH	X01-04280-01	N/A	N/A	N/A	N/A
BOTTOM CASE	SEATTLE GRAY	X808754-003		MT-11010	N/A	N/A	N/A	N/A	N/A	N/A
BOTTOM CASE FEET	SEATTLE GRAY	X808754-003			N/A	N/A	N/A	N/A	N/A	N/A
BATTERY DOORS	SEATTLE GRAY	X808754-003		MT-11010	N/A	N/A	N/A	N/A	N/A	N/A
BATTERY DOOR LOCKS				BEAD BLAST	N/A	N/A	N/A	N/A	N/A	N/A
ON/OFF BUTTON	SEATTLE GRAY	X808754-003		MT-11010	N/A	N/A	N/A	N/A	N/A	N/A
CONNECT BUTTON	PLATINUM GREY	GE GY6A135		MT-11010	N/A	N/A	N/A	N/A	N/A	N/A
QWERTY KEYS	CLEAR	N/A		MT-11005	ZINC	X807305-002	QWERTY KEYS TEXT	LASER ETCHED	SEE BOM	N/A
							QWERTY KEYS TEXT (FRNT FACE): ANTHRACITE 11	X808755-003	SEE BOM	N/A
							QWERTY KEYS TEXT (FN): BLUE 646C	X808811-001	SEE BOM	N/A
EDIT/DELETE KEYS	CLEAR	N/A		MT-11005	ZINC	X807305-002	EDIT/DEL KEY TEXT	LASER ETCHED	SEE BOM	N/A
							EDIT/DEL TEXT (FN/FRNT FACE): BLUE 646C	X808811-001	SEE BOM	N/A
LED INDICATORS							LED INDICATORS	LASER ETCHED	SEE BOM	N/A
MEDIA KEYS	CLEAR	N/A		MT-11005	ZINC	X807305-002	MEDIA KEYS TEXT	LASER ETCHED	SEE BOM	N/A
							RECORD KEY TREATMENT: RED 485/LASER ETCHED	X800318-001/LASER ETCHED	SEE BOM	N/A
MODE SWITCH BUTTON	PLATINUM GREY	GE GY6A135		MT-11005	MATTE CHROME	X01-04361-01	N/A	N/A	N/A	N/A
D-PAD	CLEAR	N/A		EDM	MATTE CHROME	X01-04361-01	D-PAD PERIMETER GRAPHIC	LASER ETCHED	SEE BOM	N/A
							D-PAD "OK": STERLING 8 METALLIC	X01-04281-01	SEE BOM	N/A
MOUSE KEYS	CLEAR	N/A		EDM	MATTE CHROME	X01-04361-01	MOUSE KEYS ICONS	LASER ETCHED	SEE BOM	N/A
MAGNIFY BUTTON	CLEAR	N/A		MT-11005	MATTE CHROME	X01-04361-01	MAGNIFY BUTTON ICON	LASER ETCHED	SEE BOM	N/A
GADGET BUTTON	CLEAR	N/A		MT-11005	MATTE CHROME	X01-04361-01	GADGET BUTTON ICON	LASER ETCHED	SEE BOM	N/A
BACK BUTTON	CLEAR	N/A		MT-11005	MATTE CHROME	X01-04361-01	BACK BUTTON ICON	LASER ETCHED	SEE BOM	N/A
MCE BUTTON	SUPPLIED BY AULD	N/A	N/A	N/A	N/A	N/A	N/A	N/A	N/A	N/A
VISTA BUTTON	SUPPLIED BY AULD	N/A	N/A	N/A	N/A	N/A	N/A	N/A	N/A	N/A
AMBIENT SENSOR LIGHT PIPE	DIFFUSED				N/A	N/A	N/A	N/A	N/A	N/A
CHARGING CONTACTS				POLISHED SILVER	N/A	N/A	N/A	N/A	N/A	N/A

D

D

C

C

B

B

A

A

**Microsoft**

TITLE:  
CONFIGURATION SPECIFICATION,  
WIRELESS ENTERTAINMENT  
DESKTOP 8000

SIZE: D THIRD ANGLE PROJECTION DRAWING NO: H04844 REV: A  
SCALE: NONE SHEET: 2 OF 4

8

7

6

5

4

3

2

1

8

7

6

5



4

3

2

1

D

C

B

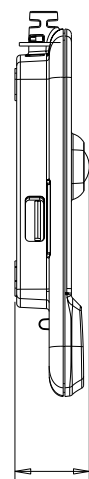
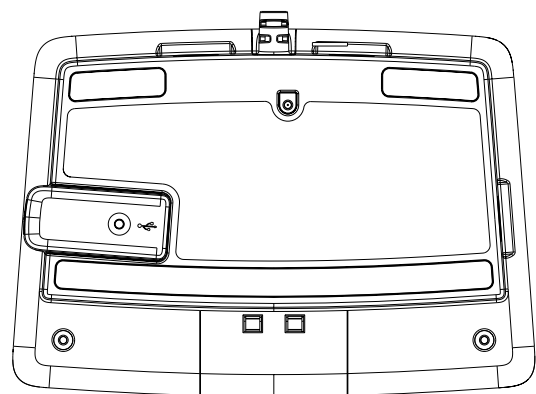
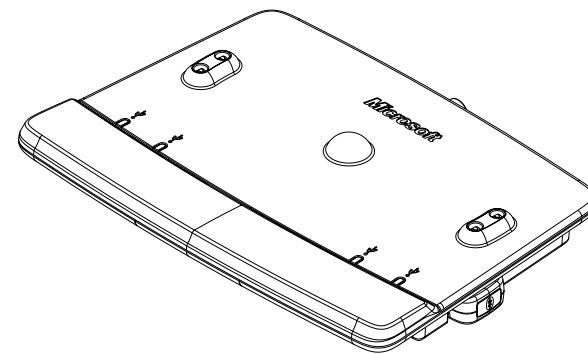
A

D

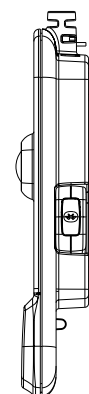
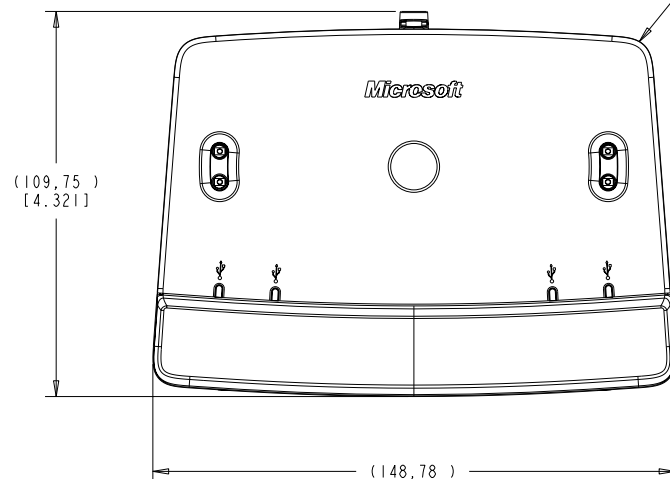
C

B

A



(21,19 )  
[0.834]



CHARGING HUB

<b>Microsoft</b>			
TITLE: CONFIGURATION SPECIFICATION, WIRELESS ENTERTAINMENT DESKTOP 8000			
SIZE: D	THIRD ANGLE PROJECTION	DRAWING NO: H04844	REV: A
SCALE: 1:1		SHEET: 3 OF 4	

8

7

6

5



4

3

2

1

8

7

6

5

4

3

2

1

TABLE 2 (BURBANK CHARGING HUB)

DESCRIPTION	MATERIAL				PAINT/IMD		PAD PRINT/ETCHED			
	MS COLOR	COLOR NO.	MATERIAL	TEXTURE	MS COLOR	COLOR NO.	MS COLOR	COLOR NO.	ARTWORK NUMBER	DETAIL
TOP CASE	SEATTLE GRAY	X808754-003		MT-11010	N/A	N/A	MS LOGO: ANTHRACITE 11	X808755-003	SEE BOM	N/A
							BLUETOOTH ICON	CHEMICAL ETCHED	SEE BOM	N/A
BOTTOM CASE	SEATTLE GRAY	X808754-003		MT-11010	N/A	N/A	N/A	N/A	N/A	N/A
BOTTOM CASE FEET	SEATTLE GRAY	X808754-003			N/A	N/A	N/A	N/A	N/A	N/A
METAL BEZEL	N/A	N/A	STAMPED ALUMINUM		ANODIZED TO MATCH ALUMINUM	X807304-002	N/A	N/A	N/A	N/A
LIGHT PIPE	DIFFUSED	N/A			N/A	N/A	N/A	N/A	N/A	N/A
STRAIN RELIEF	SEATTLE GRAY	X808754-003		MT-11010	N/A	N/A	N/A	N/A	N/A	N/A
Y-SPLIT OVERMOLD	SEATTLE GRAY	X808754-003		MT-11010	N/A	N/A	N/A	N/A	N/A	N/A
USB PLUG	SEATTLE GRAY	X808754-003		MT-11010	N/A	N/A	N/A	N/A	N/A	N/A
CABLE JACKET	SEATTLE GRAY	X808754-003		MT-11010	N/A	N/A	N/A	N/A	N/A	N/A
AC ADAPTER	SEATTLE GRAY	X808754-003		MT-11010	N/A	N/A	N/A	N/A	N/A	N/A
CHARGING CONTACTS				POLISHED SILVER	N/A	N/A	N/A	N/A	N/A	N/A

D

D

C

C

B

B

A

A

8

7

6

5

4

3

2

1

**Microsoft**

TITLE:  
CONFIGURATION SPECIFICATION,  
WIRELESS ENTERTAINMENT  
DESKTOP 8000

SIZE: D THIRD ANGLE PROJECTION DRAWING NO: H04844 REV: A SCALE: NONE SHEET: 4 OF 4