

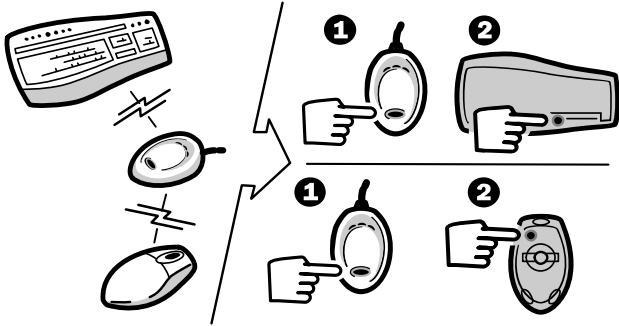
Microsoft®

Microsoft® Wireless Keyboard 700

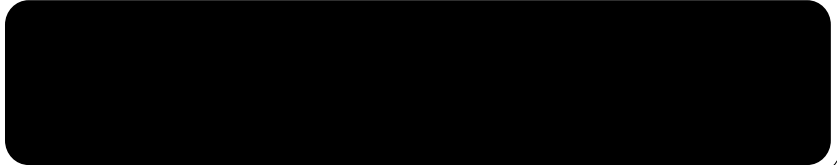
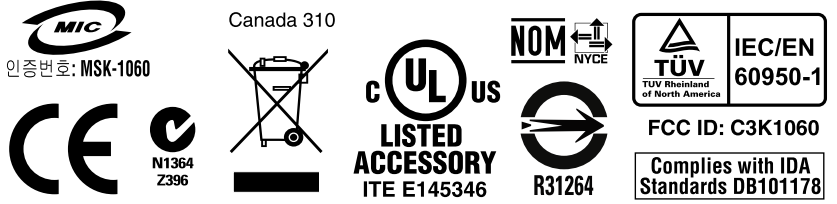
Model: 1060 Made in China (T)

3V 100mA See printed manual for patent information

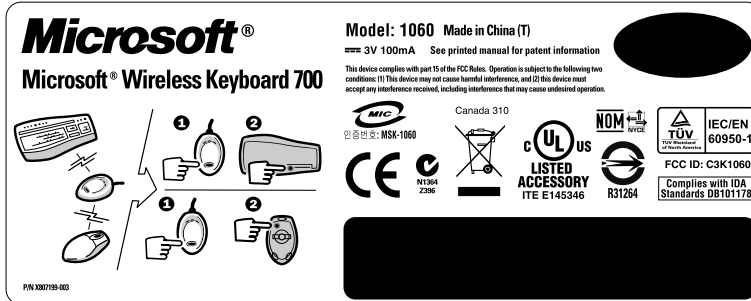
This device complies with part 15 of the FCC Rules. Operation is subject to the following two conditions: (1) This device may not cause harmful interference, and (2) this device must accept any interference received, including interference that may cause undesired operation.



P/N X807199-003

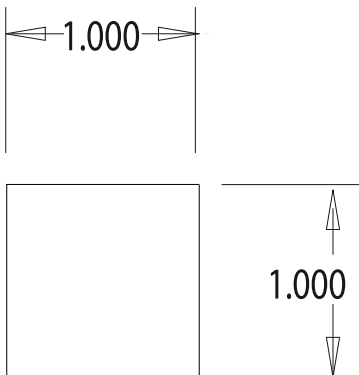


2:1



P/N X807199-003

1:1



OUTLINE DOES NOT PRINT

1 inch x 1 inch reference

PROPRIETARY NOTE

THE INFORMATION CONTAINED HEREON IS CONFIDENTIAL, IS SUBMITTED IN CONFIDENCE, AND IS PROPRIETARY INFORMATION OF MICROSOFT CORPORATION, AND SHALL ONLY BE USED IN THE FURTHERANCE OF, THE CONTRACT OF WHICH THIS DRAWING FORMS A PART, AND SHALL NOT, WITHOUT MICROSOFT CORPORATION'S PRIOR WRITTEN APPROVAL, BE REPRODUCED OR IN ANY WAY USED IN WHOLE OR IN PART IN CONNECTION WITH SERVICES OR EQUIPMENT OFFERED FOR SALE OF FURNISHED TO OTHERS. THE INFORMATION CONTAINED HEREON MAY NOT BE DISCLOSED TO A THIRD PARTY WITHOUT CONSENT OF MICROSOFT CORPORATION, AND THEN, ONLY PURSUANT TO A MICROSOFT APPROVED NONDISCLOSURE AGREEMENT.

TOLERANCES
UNLESS OTHERWISE SPECIFIED
DIMENSIONS ARE IN MILLIMETERS

DWN./DATE
John Silverman 03/31/2006
SOFTWARE VERSION
Adobe Illustrator 11.0



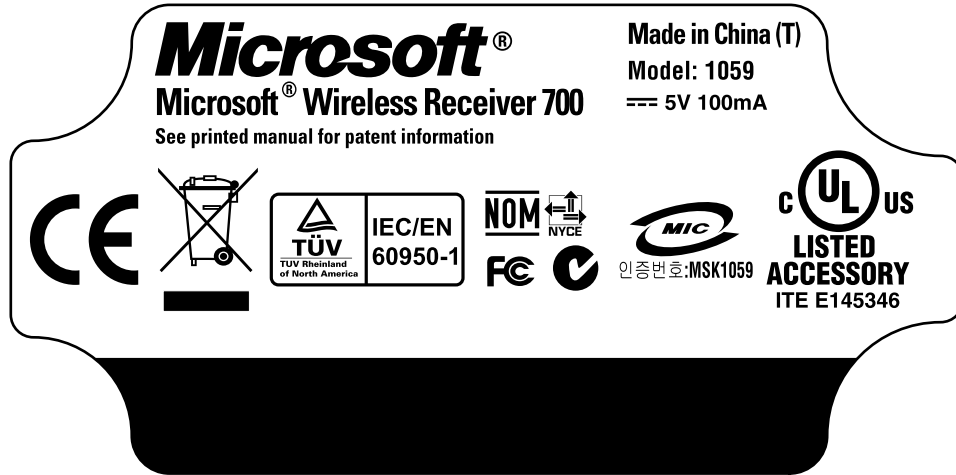
DESCRIPTION
ARTWORK, LABEL, PRODUCT, KEYBOARD

ARTWORK NUMBER
AW807199-003

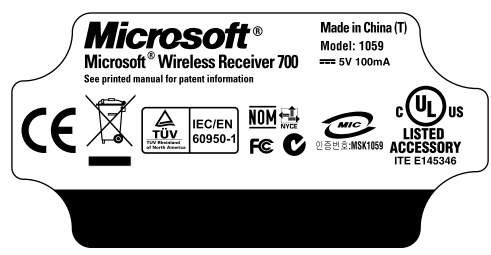
DRAWING NUMBER
N/A

FILE NAME
AW807199-003_OUTLINE.pdf

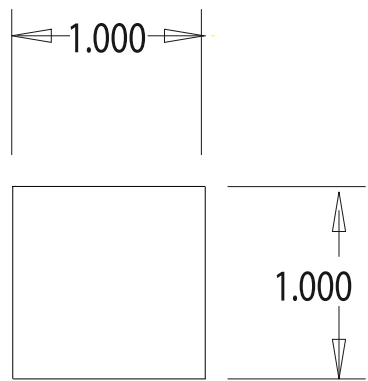
REVISION
A



2:1



1:1



OUTLINE DOES NOT PRINT

1 inch x 1 inch reference

PROPRIETARY NOTE
 THE INFORMATION CONTAINED HEREON IS CONFIDENTIAL, IS SUBMITTED IN CONFIDENCE, AND IS PROPRIETARY INFORMATION OF MICROSOFT CORPORATION, AND SHALL ONLY BE USED IN THE FURTHERANCE OF, THE CONTRACT OF WHICH THIS DRAWING FORMS A PART, AND SHALL NOT, WITHOUT MICROSOFT CORPORATION'S PRIOR WRITTEN APPROVAL, BE REPRODUCED OR IN ANY WAY USED IN WHOLE OR IN PART IN CONNECTION WITH SERVICES OR EQUIPMENT OFFERED FOR SALE OF FURNISHED TO OTHERS. THE INFORMATION CONTAINED HEREON MAY NOT BE DISCLOSED TO A THIRD PARTY WITHOUT CONSENT OF MICROSOFT CORPORATION, AND THEN, ONLY PURSUANT TO A MICROSOFT APPROVED NONDISCLOSURE AGREEMENT.

TOLERANCES
 UNLESS OTHERWISE SPECIFIED
 DIMENSIONS ARE IN MILLIMETERS

DWN./DATE
 John Silverman 2/22/2006

SOFTWARE VERSION
 Adobe Illustrator 11.0

Microsoft®		DESCRIPTION	ARTWORK NUMBER
		ARTWORK,PRODUCT LABEL,RECEIVER	AW807080-002
DRAWING NUMBER	N/A	REVISION	A
FILE NAME	AW807080-002_OUTLINE.pdf		