

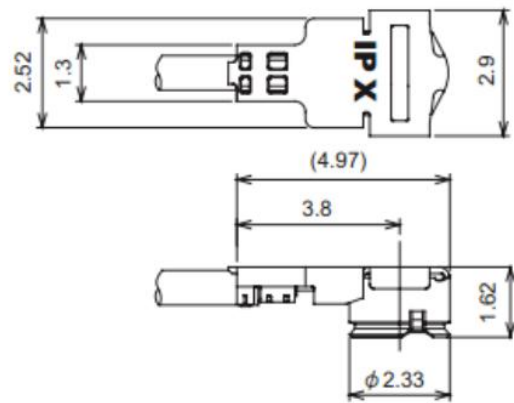
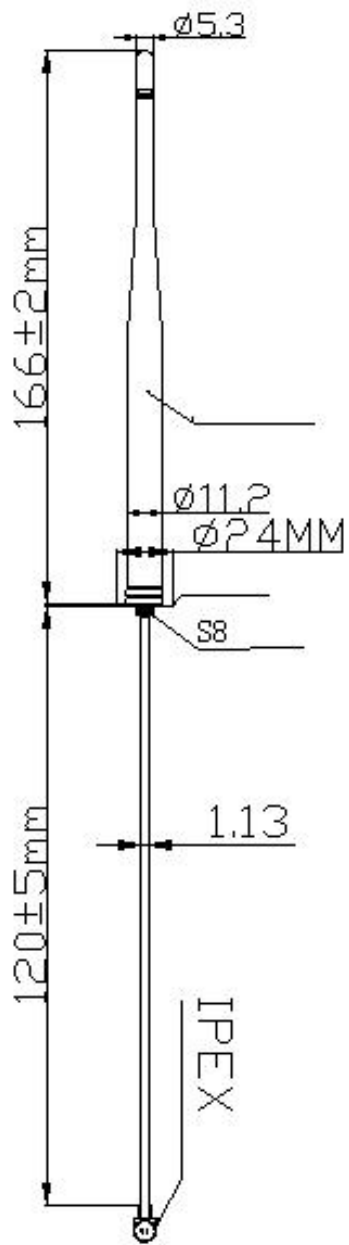
● 2.4G 5dBi Antenna



1.Specifications

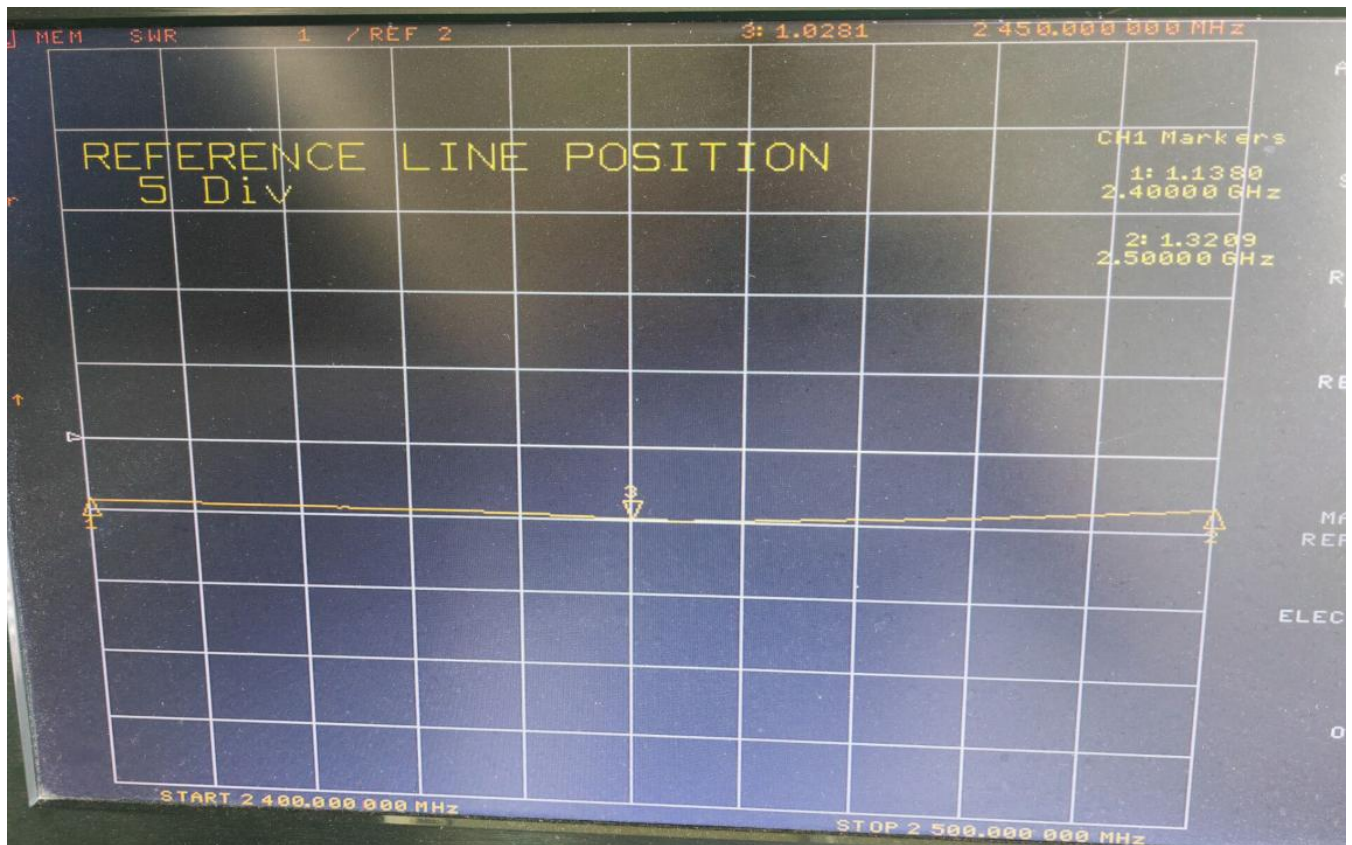
Model	MT2400M17CR
Center Frequency	2400-2500 (MHz)
Bandwidth	100 (MHz)
Gain	5 (dBi)
VSWR	1.5 max
Polarization	Vertical
Impedance	50 (Ω)
Connector Type	U.FL / IPEX
Cable	RF1.37 cable 120 ± 5 (mm)
Antenna Length	166 ± 2 (mm)
Type	Omni-directional Antenna

2. Drawings

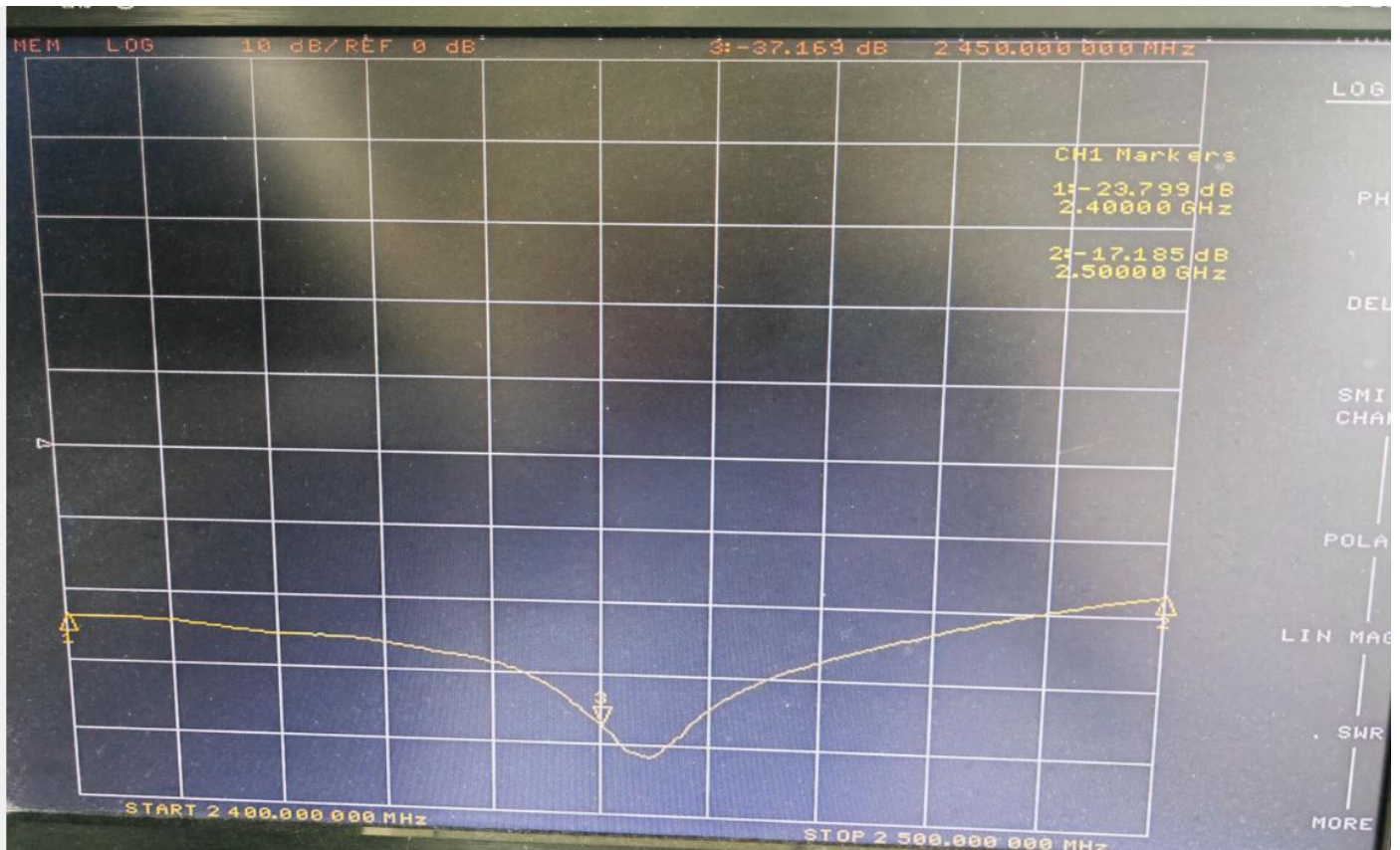


3. Test

- VSWR



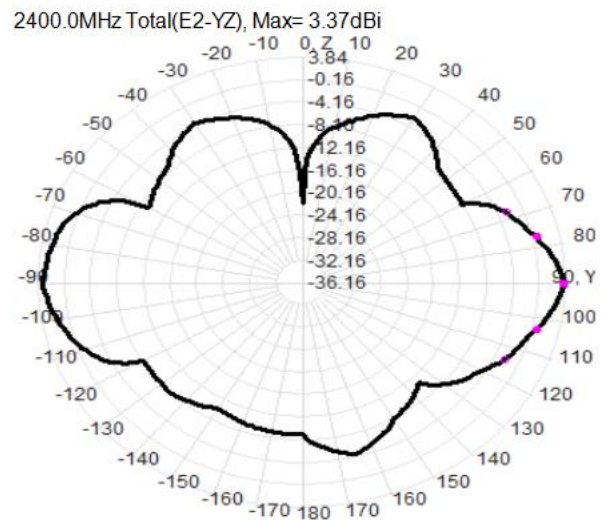
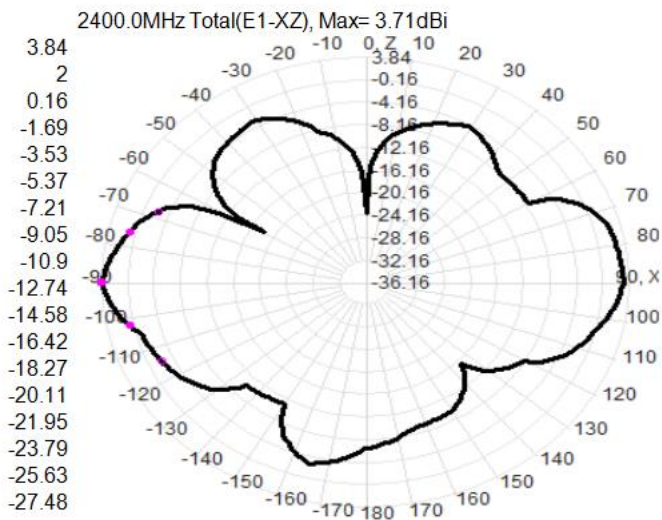
- Insertion Loss



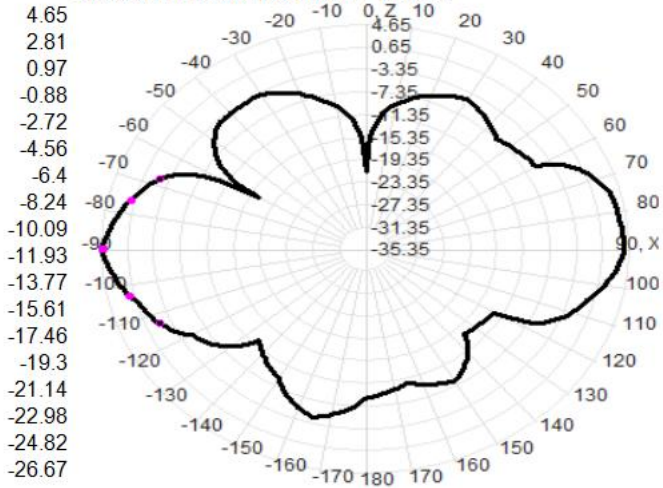
● Impedance



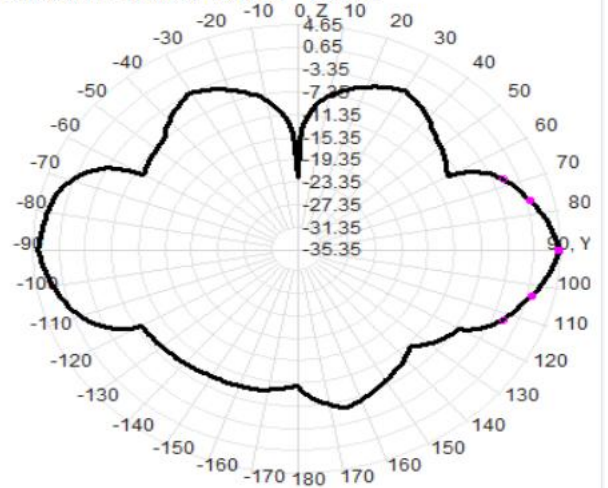
● Radiation Pattern



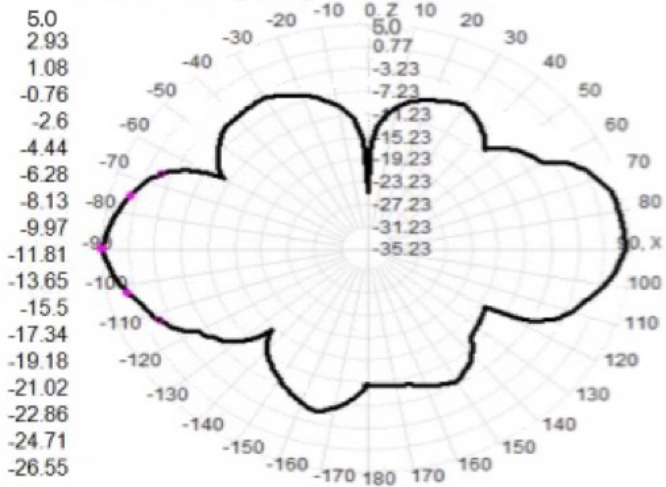
2450.0MHz Total(E1-XZ), Max= 4.40dBi



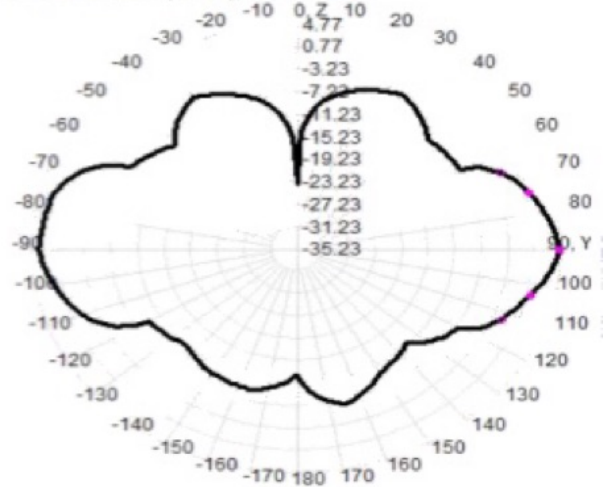
2450.0MHz Total(E2-YZ), Max= 4.20dBi



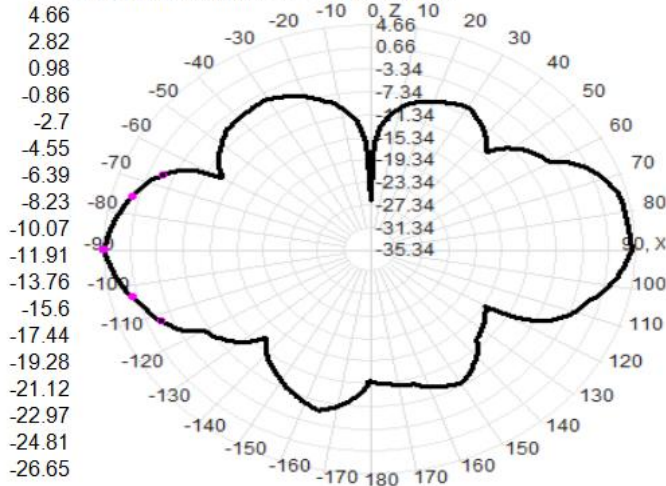
2485.0MHz Total(E1-XZ), Max= 5.0dBi



2485.0MHz Total(E2-YZ), Max= 4.30dBi



2500.0MHz Total(E1-XZ), Max= 4.52dBi



2500.0MHz Total(E2-YZ), Max= 4.28dBi

