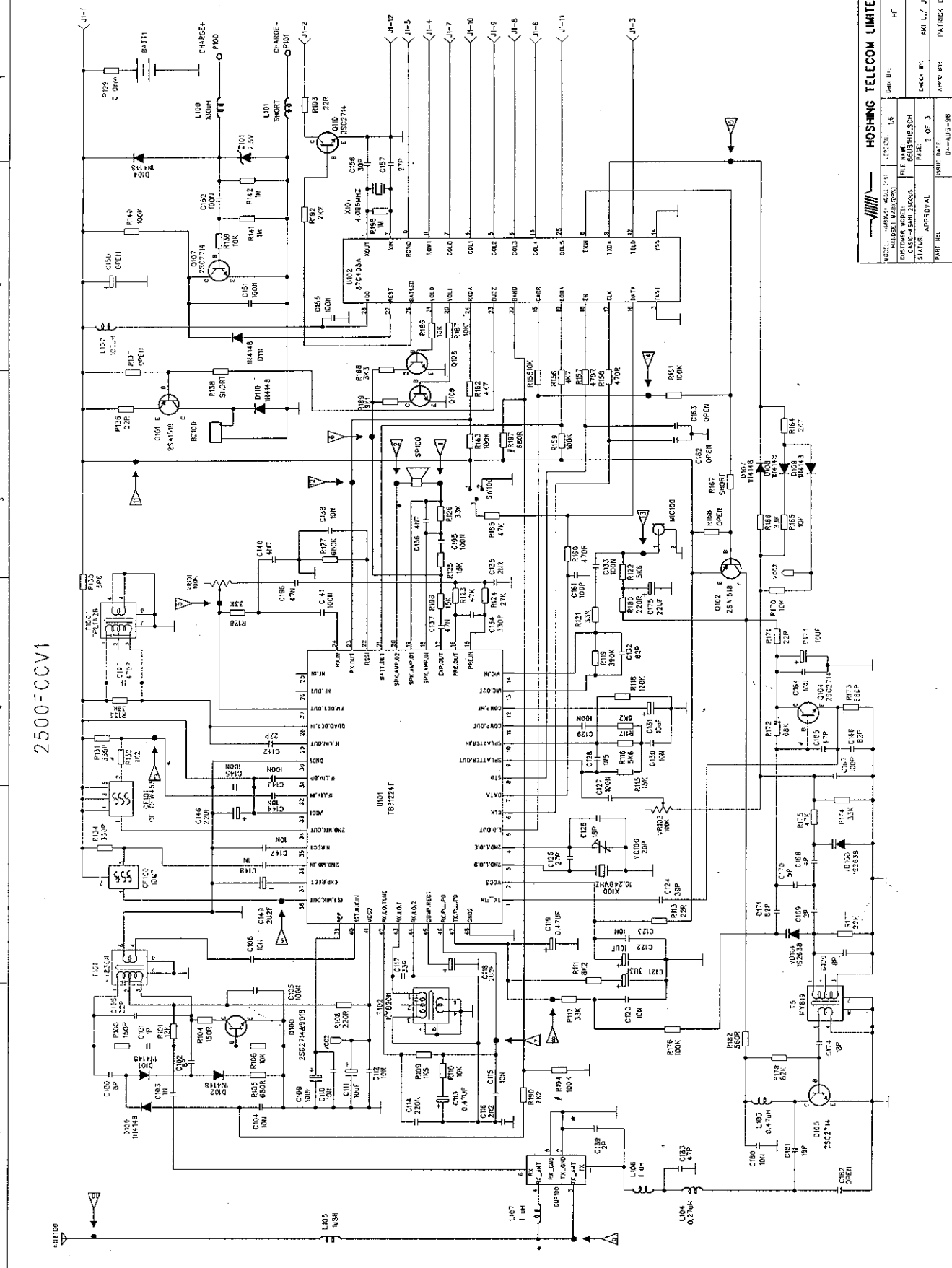


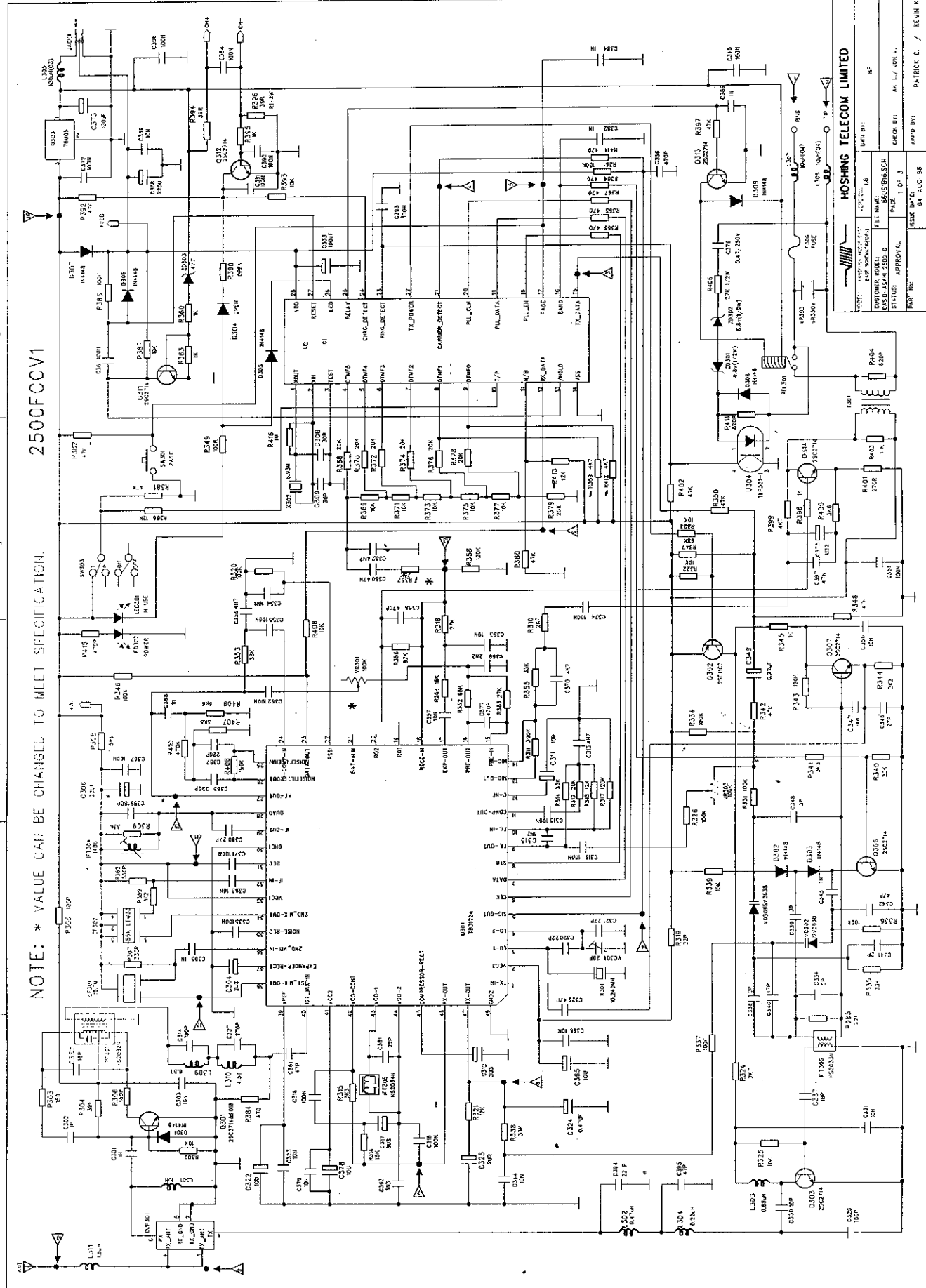
2500FCCV1



HOSHING TELECOM LIMITED	
DESIGN NO.:	156
CUSTOMER MODEL:	6505HMS-SCB
STATUS:	APPROVAL
DATE:	81-AUG-88
ISSUE NO.:	3
APPROVED BY:	PATRICK C. / KEVIN X.
CHECK BY:	AWI L / JIM Y.
DATE:	81-AUG-88

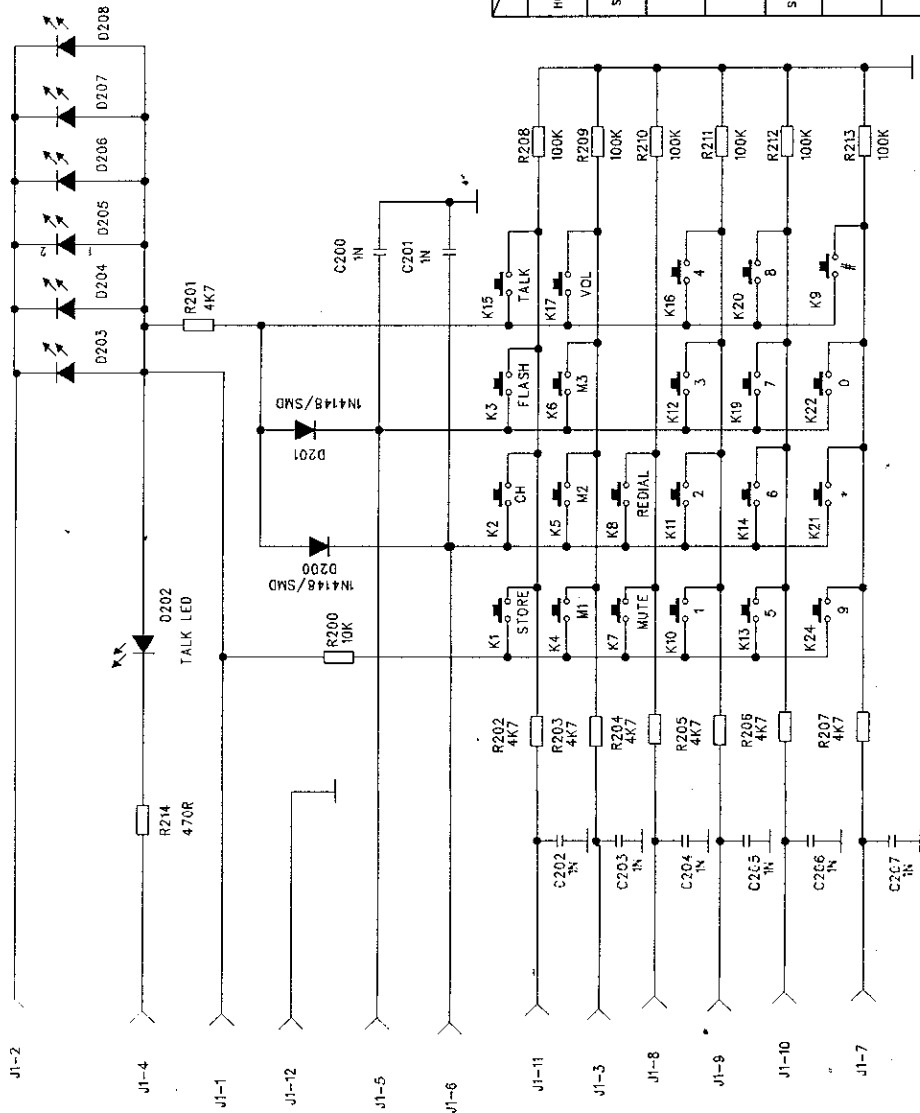
2500FCCV1

NOTE: \* VALUE CAN BE CHANGED TO MEET SPECIFICATION.



PROJECT:	2500FCCV1	DATE:	04-20-58
DESIGNED BY:	W. L. BUSH	CHECKED BY:	W. L. BUSH
DRAWN BY:	W. L. BUSH	APPROVED BY:	W. L. BUSH
STATUS:	APPROVAL	ISSUE DATE:	04-20-58
PAGE:	1 OF 3	APP'D BY:	W. L. BUSH
HOSHING TELECOM LIMITED		PATRICK C. / KEVIN K.	

# 2500FCCV1



HS	25 CH	MCU PM2 R184 100K 10% SMD R197 DEL
	10 CH	MCU PM2 R187 680 OHM TO +VCC
	25 CH	MCU PM2 R197 680 OHM TO +VCC
BS	25 CH	MCU PM5 R412 4K7 TO +VCC
	10 CH	MCU PM5 R412 DEL
M/B	40/60	MCU PM1 R413 12K TO +VCC
	33/67	MCU PM1 R413 12K DEL
FLASH	600ms	MCU PM8 R389 4K7 TO +VCC
	100ms	MCU PM8 R389 4K7 DEL
DTMF	H-4dB	BS: R357=75K
	H-6dB	L-6dB
	H-6dB	L-6dB
	L-6dB	BS: R357=100K

CH	M/B	FLASH	Freq	DTMF	MODIFY
HONG KONG	10	600ms	46/48	H-6dB L-6dB	HSDEL R194 100K ADD R197 680 OHM TO +VCC. BSDEL R412 4K7.
SINGAPORE	10	600ms	46/48	H-6dB L-6dB	HSDEL R194 100K , BS:R357=100K ADD R197 680 OHM TO +VCC. BSDEL R413 12K R412 4K7.
KUWAIT	10	600ms	46/48	H-4dB L-6dB	HSDEL R194 100K , BS:R357=75K ADD R197 680 OHM TO +VCC. BSDEL R412 4K7.
INDIA	25	600ms	43/49	H-6dB L-6dB	BSDEL R413 12K. R357=100K
S-AMERICA	25	600ms	43/49	H-6dB L-6dB	
ASIA M.EAST	25	600ms	43/49	H-4dB L-6dB	
TAIWAN	25	600ms	43/49	H-6dB L-6dB	

## HOSHING TELECOM LIMITED

MODEL: H984 USA/MOBILE EAST	VERSION: 1.6	DWR BT:
HS KEY PCB(TOPX)	FILE NAME: 6815K1E1SCH	HF
CUSTOMER MODEL: 2500US	PAGE: 3 OF 3	CHECK BY: AKI L. / JUN V.
STATUS: APPROVAL	ISSUE DATE: 04-AUG-88	APP'D BY: PATRICK C. / KEVIN K.
PART No:		