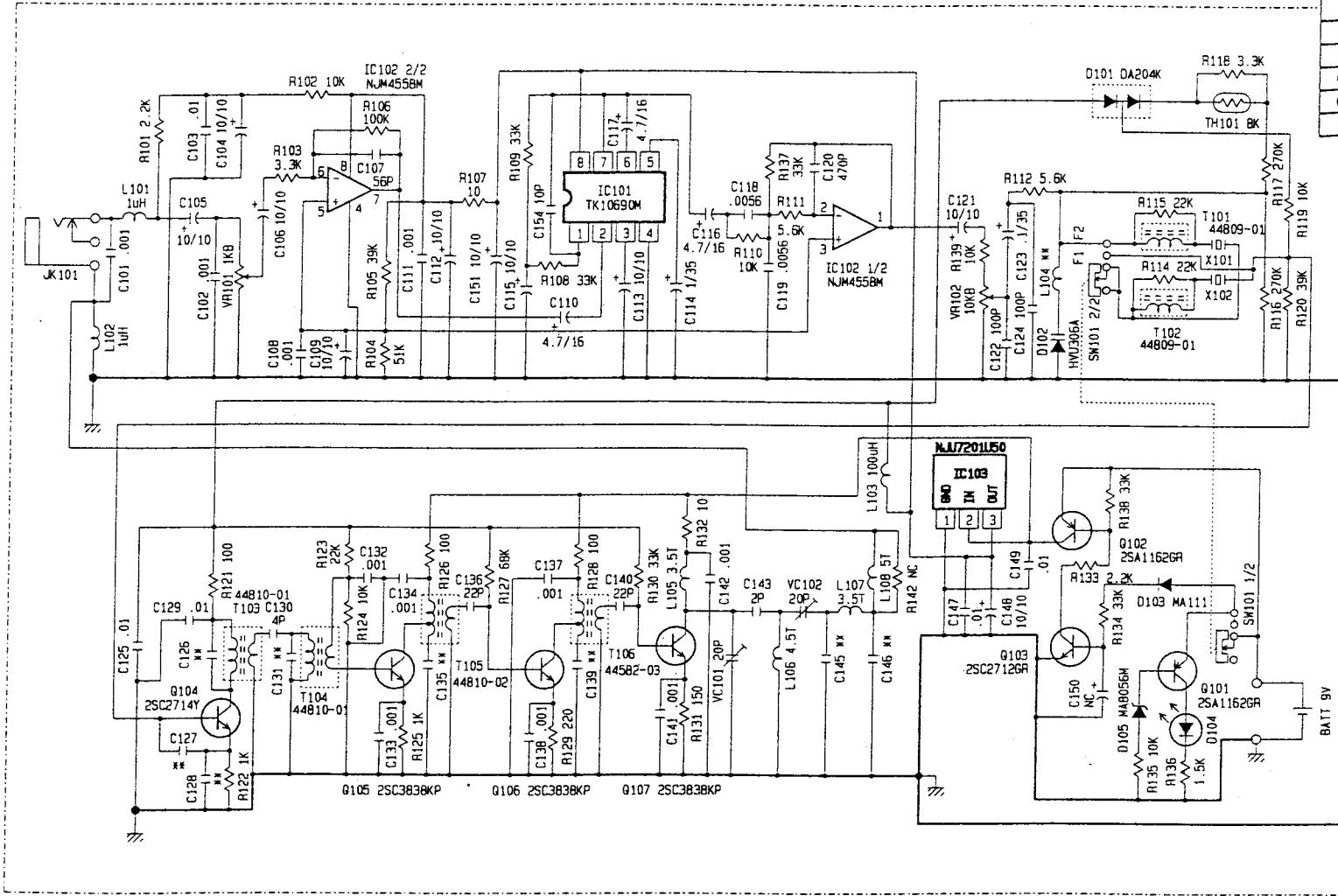


	155	-01	-02	-03
C126	22p	15p	12p	
C127	120p/UJ	120p/UJ	68p/UJ	
C128	220p/UJ	220p/UJ	120p/UJ	
C131	18p	15p	12p	
C135	10p	8p	6p	
C139	7p	5p	4p	
C145	56p	56p	39p	
C146	33p	33p	22p	
L104	2.2uH	2.2uH	1uH	



回路変更作業進行		98.11.7	竹野	SCALE	AZDEN CORPORATION
SYMBOL REVISION RECORD		DATE	BY	1/1	
DRAWN	CHECKED	CHECKED	APPROVED	MATERIAL	TITLE SCHEMATIC DIAGRAM
金沢				ANGLE	回路図
98.11.7				UNIT	DRAWING NO.
				FINISH	50-31945
				USED ON	98.11.07
				55-241	
				(33-501)	