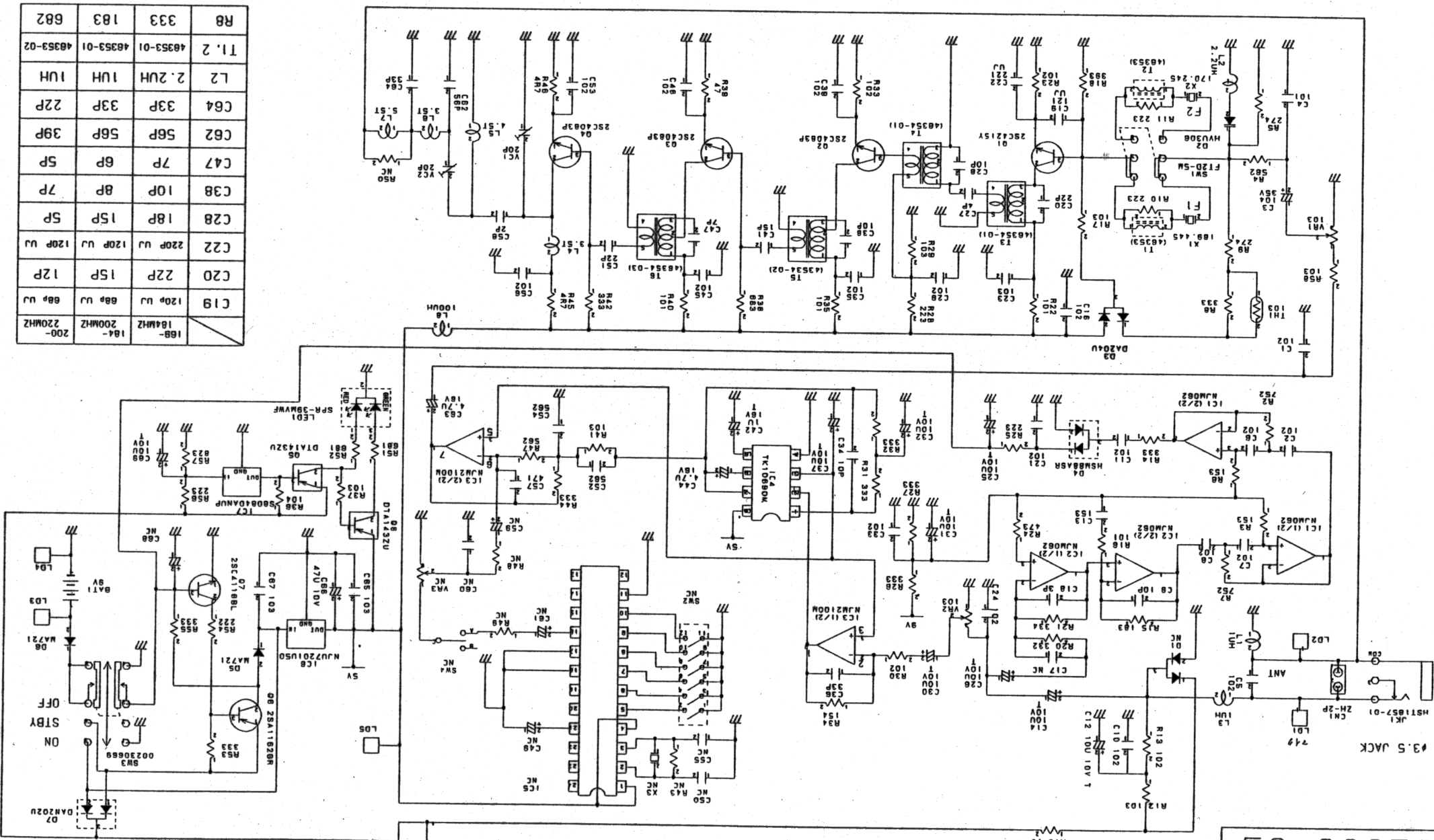


	168-184MHZ	184-200MHZ	200-220MHZ
C19	120p UJ	68p UJ	68p UJ
C20	22P	15P	12P
C22	220P UJ	120P UJ	120P UJ
C28	18P	15P	5P
C38	10P	8P	7P
C47	7P	6P	5P
C62	56P	56P	39P
C64	33P	33P	22P
L2	2.2UH	1UH	1UH
T1.2	48353-01	48353-01	48353-02
R8	333	183	682

SYMBOL		REVISION	RECORD	DATE	BY	SCALE	AZDEN CORPORATION アジデン 株式会社
DRAWN	CHECKED	CHECKED	APPROVED	MATERIAL	ANGLE	UNIT	
FINISH		USED ON		3 RD		MM	TITLE
							SCHEMATIC DIAGRAM
							回路図
							DRAWING NO

Without CTSS

R8	333	183	682
C19	120P UJ	88P UJ	200-184
C20	22P	15P UJ	200-184
C22	220P UJ	120P UJ	200-184
C28	10P	8P	7P
C47	7P	6P	5P
C62	56P	56P	39P
C64	33P	33P	22P
L2	2.2UH	1UH	1UH
T1.2	40353-01	40353-01	40353-02



SYMBOL	REVISION	RECORD	CHECKED	CHECKED	CHECKED	CHECKED	FINISH	USED ON
UNIT	BY	DATE	MATERIAL	APPROVED	APPROVED	APPROVED	3 RD	SS-417

SCALE	FREE	UNIT	ANGLE	3 RD	UNIT	SCALE

AZDEN CORPORATION
SCHEMATIC DIAGRAM
DRAWING NO. 100-32750