

**INSTRUCTION SHEET FOR
AAVT-PRO-L
AAVT-PRO-M
AAVT-PRO-H
VHF WIRELESS TRANSMITTERS**

LOADING THE BATTERY: Remove the battery door (#1) and insert one 9 volt battery into the compartment. Check for correct polarity.

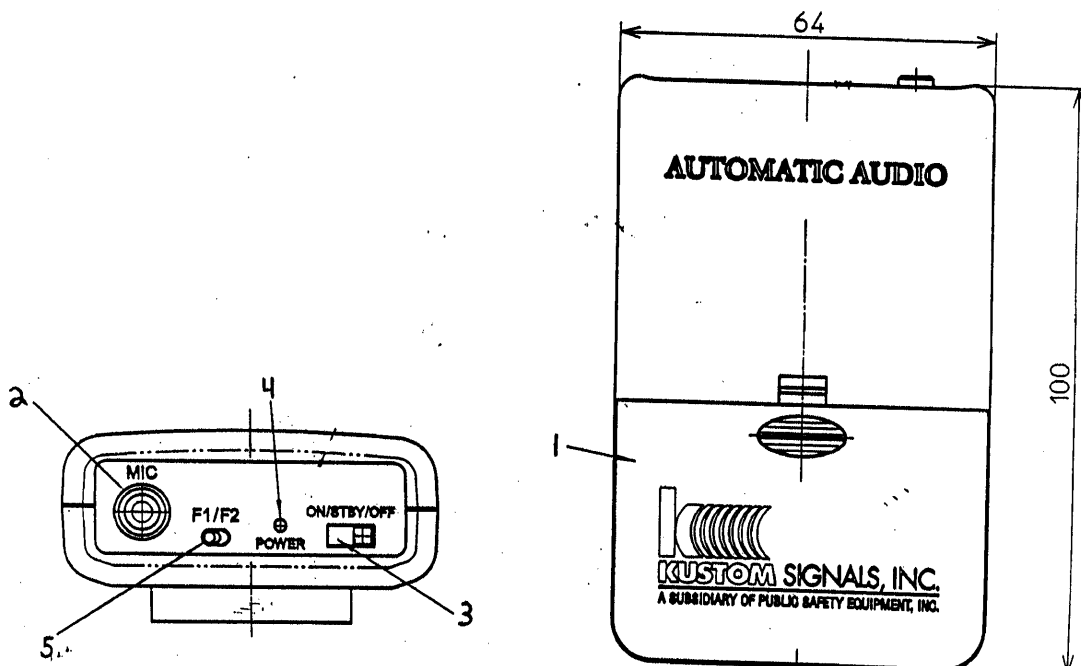
MICROPHONE INPUT: Plug the EX-503 or similar lapel microphone into the input jack (#2) and extend the mic cable as much as possible for the best range.

ON/STBY/OFF SWITCH: This slide switch (#3) is used to turn the transmitter to standby mode for auto activation or to on for manual operation.

POWER LED: Lights up (#4) when transmitter is turned to on or when activated automatically in the standby mode.

F1/F2 FREQUENCY SWITCH: This toggle switch (#5) can be set to F1 or F2. Select the one with the lowest noise and use the same position on the receiver.

MOUNTING THE TRANSMITTER: The transmitter can be attached to a belt using the clip provided or placed in a pocket.



FCC Warning: This device may not interfere with TV reception or federal government radar, and must accept any interference received, including interference that may cause undesired operation.