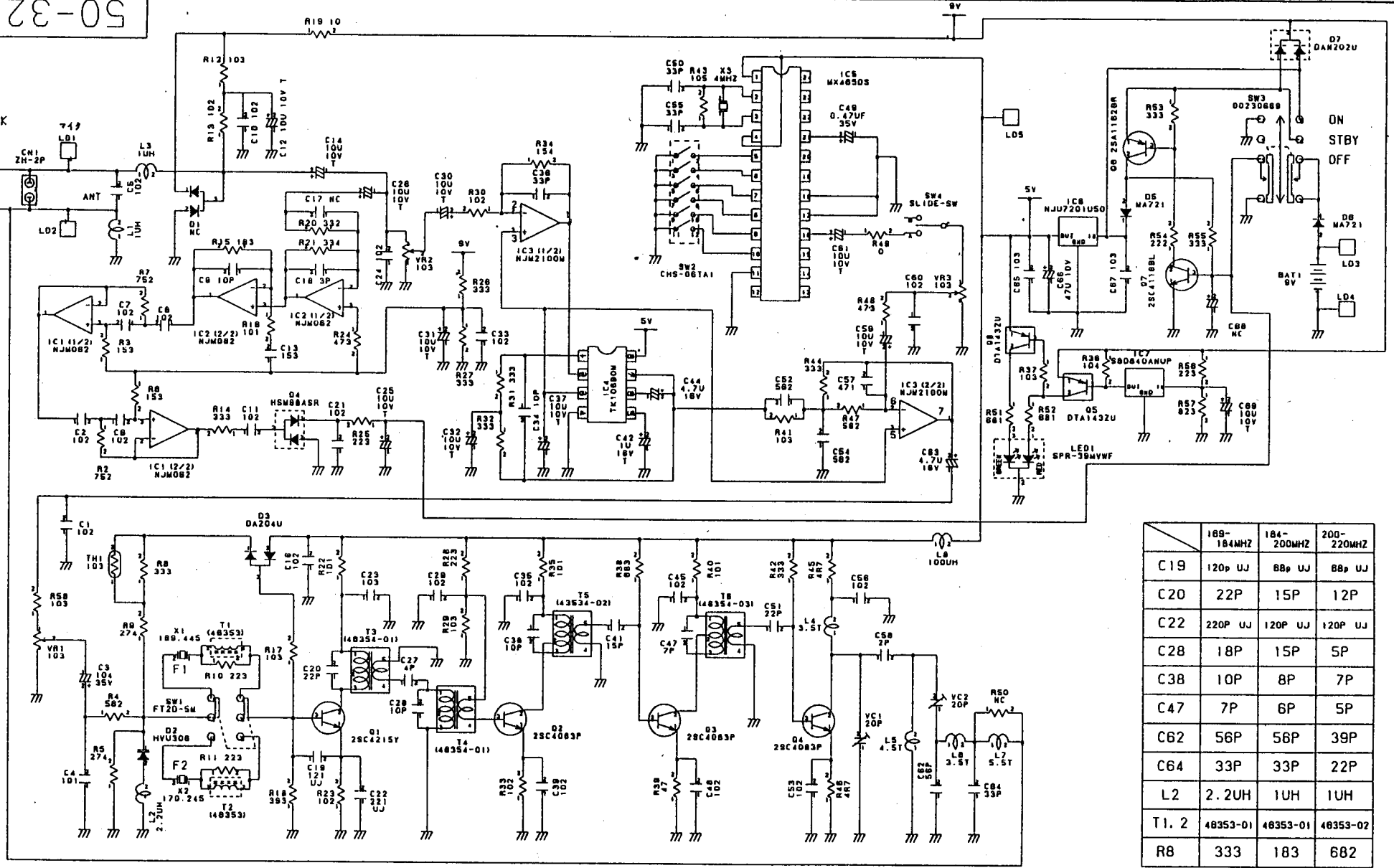


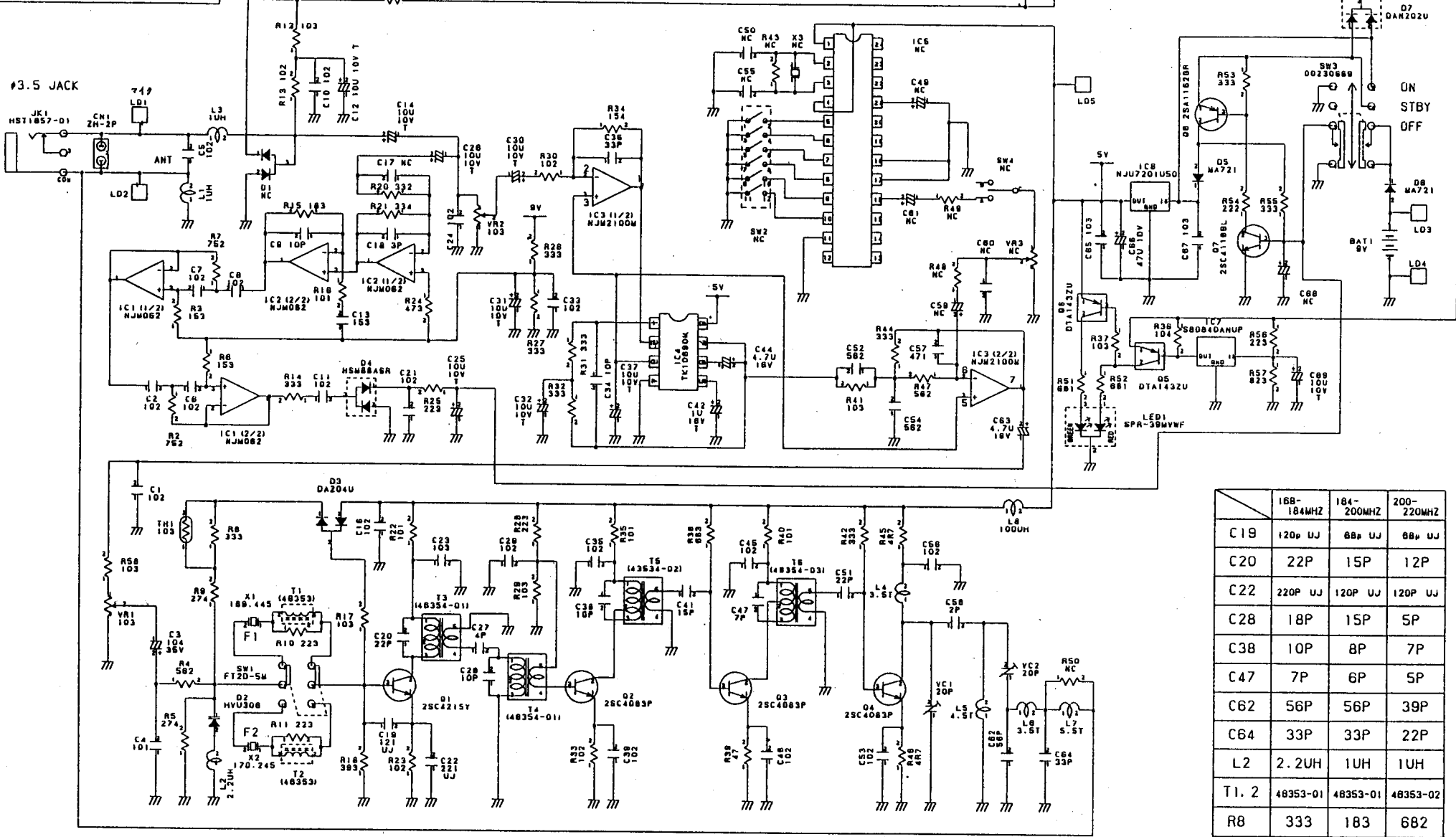
50-32259

#3.5 JACK



	169-184MHZ	184-200MHZ	200-220MHZ
C19	120p UJ	88p UJ	88p UJ
C20	22P	15P	12P
C22	220P UJ	120P UJ	120P UJ
C28	18P	15P	5P
C38	10P	8P	7P
C47	7P	6P	5P
C62	56P	56P	39P
C64	33P	33P	22P
L2	2.2UH	1UH	1UH
T1, 2	48353-01	48353-01	48353-02
R8	333	183	682

SYMBOL		REVISION		RECORD	DATE	BY	SCALE	 AZDEN CORPORATION アズデン株式会社
DRAWN	CHECKED	CHECKED	APPROVED	MATERIAL	ANGLE	UNIT	FREE	
								TITLE
								SCHMATIC DIAGRAM
								UNIT
								MM
								DRAWING NO



	168-184MHZ	184-200MHZ	200-220MHZ
C19	120p UJ	88p UJ	88p UJ
C20	22P	15P	12P
C22	220P UJ	120P UJ	120P UJ
C28	18P	15P	5P
C38	10P	8P	7P
C47	7P	6P	5P
C62	56P	56P	39P
C64	33P	33P	22P
L2	2.2UH	1UH	1UH
T1.2	48353-01	48353-01	48353-02
R8	333	183	682

Without CTCSS

SYMBOL				REVISION	RECORD	DATE	BY	SCALE	AZDEN CORPORATION アズデン株式会社
DRAWN	CHECKED	CHECKED	APPROVED	MATERIAL	FINISH	USED ON	ANGLE	UNIT	
							3 RD	MW	SCHEMATIC DIAGRAM
							55-417		回路図
							(33-512)		DRAWING NO
									50-32259