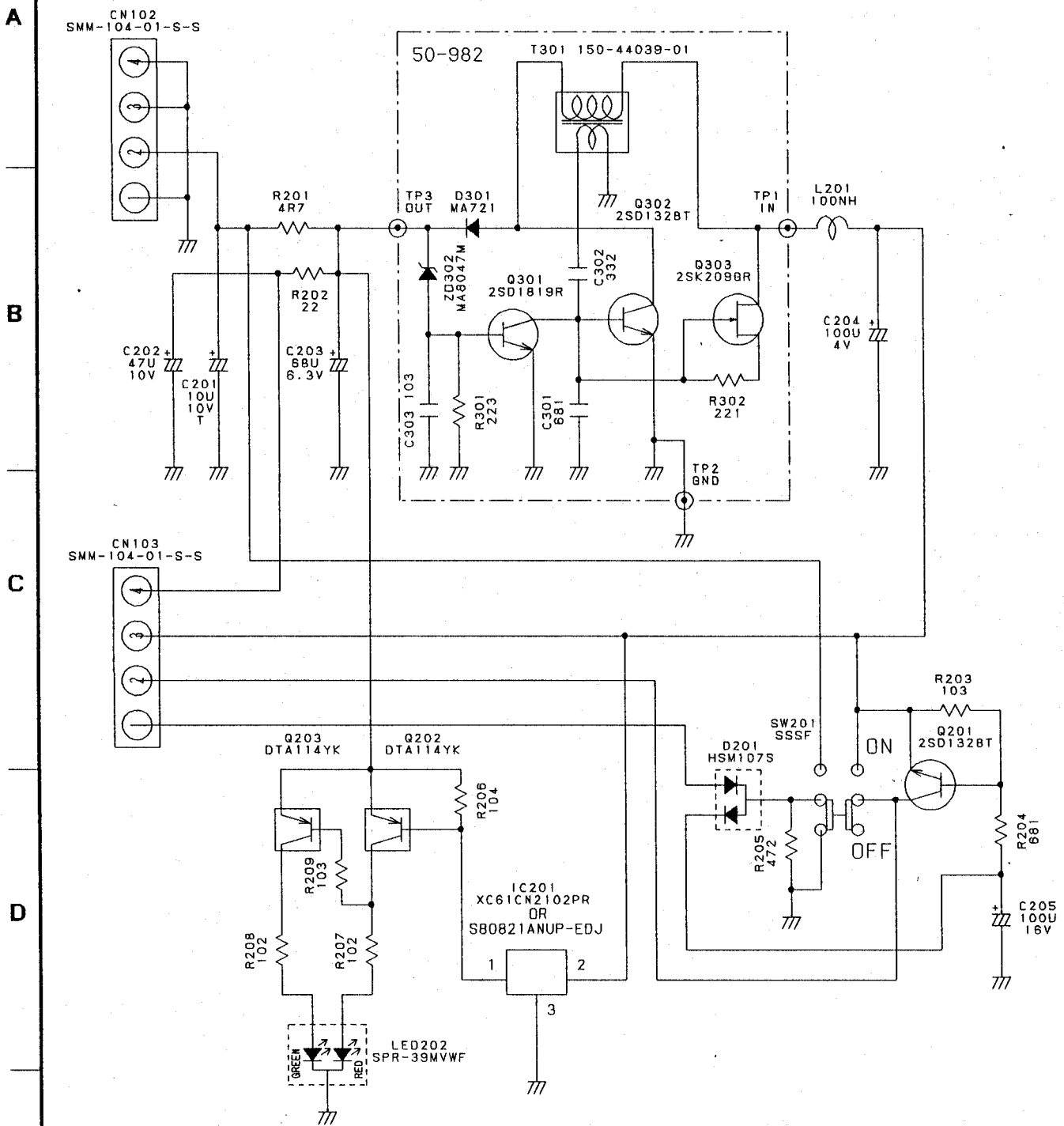

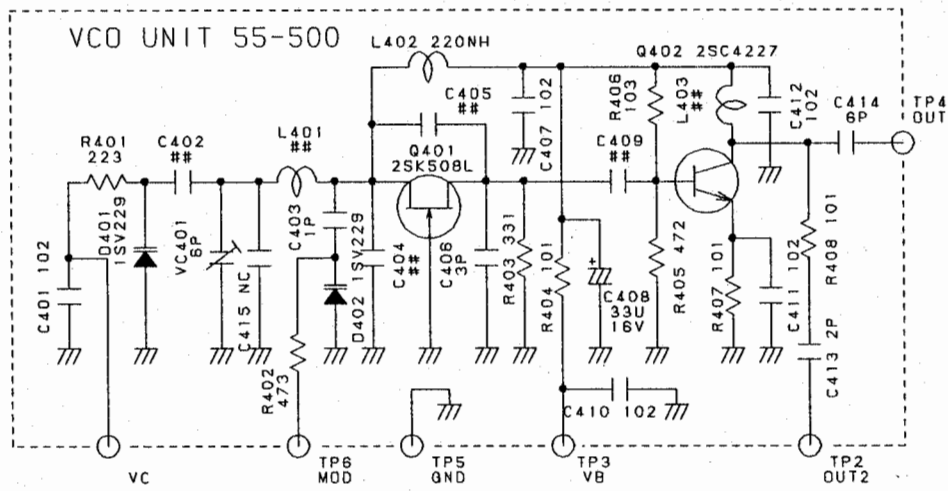


50-4XXX



					SCALE FREE		 AZDEN CORPORATION アズデン 株式会社	
SYMBOL					REVISION RECORD		TITLE SCHEMATIC DIAGRAM	
DRAWN	CHECKED	CHECKED	APPROVED	MATERIAL	ANGLE	UNIT	回路図	
大野				FINISH	3RD	NM	DRAWING NO	
04.06.03					USED ON	50-996 33-521	50-4XXXX	
1			2			3		
						040603		

50-45093



55-500	BAND	C402	C404	C405	C409	L401	L403
01	800MHZ	12P	3P	4P UJ	1P	27NH	22NH

				SCALE FREE		AZDEN CORPORATION アズデン 株式会社	
SYMBOL				REVISION RECORD		TITLE SCHEMATIC DIAGRAM	
DATE				BY		回路図	
DRAWN 大野		CHECKED		MATERIAL		DRAWING NO	
03.10.14				FINISH		50-45093	
				ANGLE 3 RD		UNIT MM	
				USED ON		55-500	

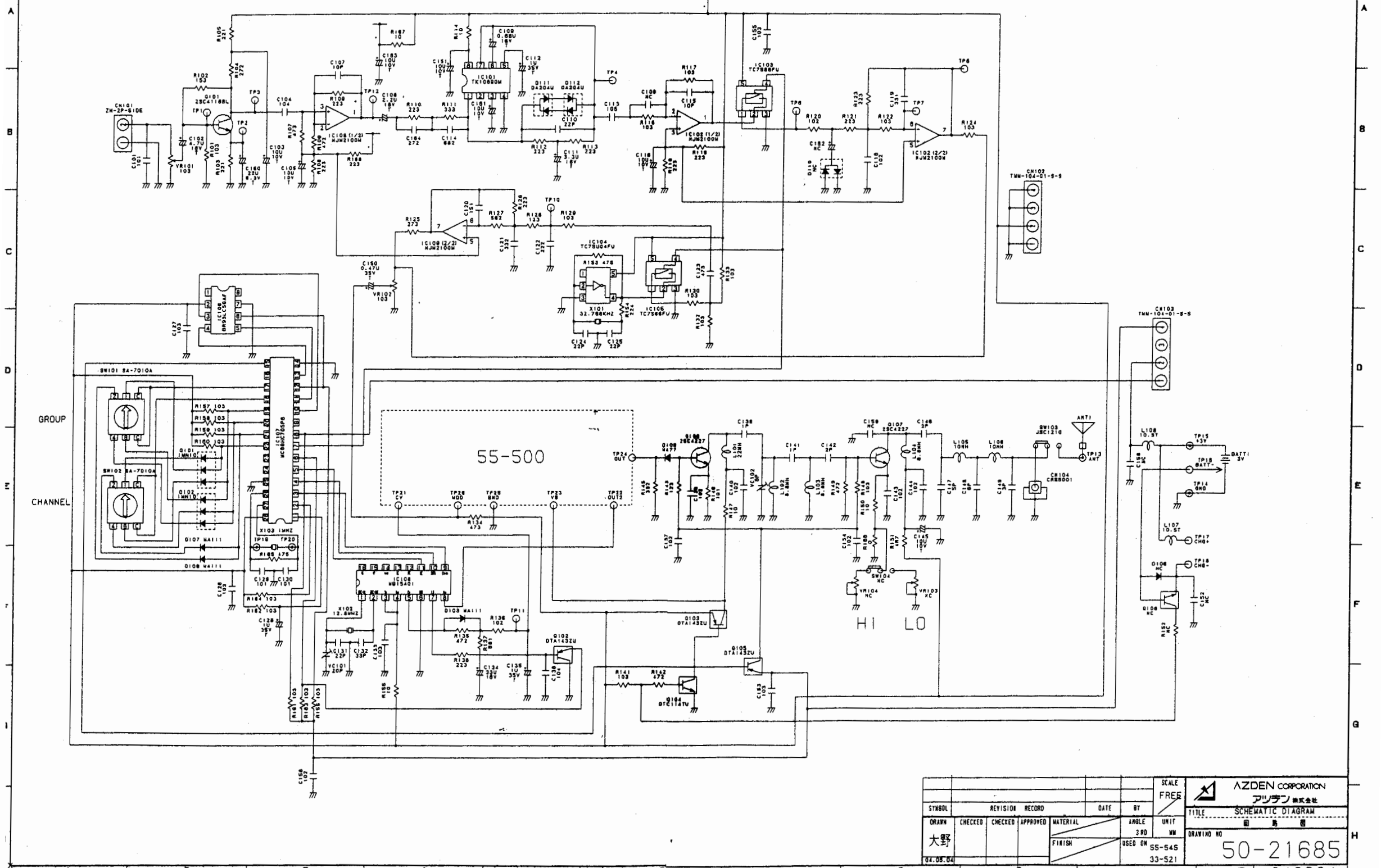
1

2

3



031014



SYMBOL		REVISION RECORD		DATE	BY	SCALE	FREQ	AZDEN CORPORATION アズデン株式会社	
DRWN	CHECKED	CHECKED	APPROVED	MATERIAL	ANGLE	UNIT	TITLE SCHEMATIC DIAGRAM		
大野				FINISH	3RD	MM	DRAWING NO		
04.08.04					USED ON	SS-545	50-21685		
						33-521	11 040604		