

1) The voltage and current drain in the RF section.

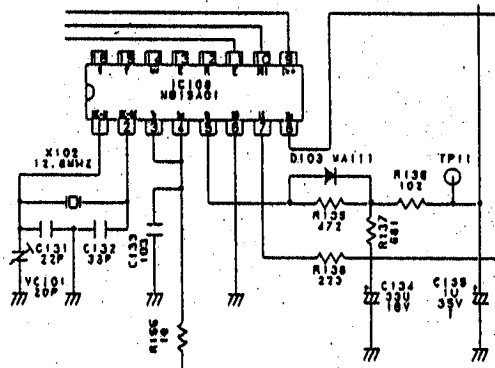
Tr Q107 [2SC4227]

	Low (CH20)	Mid(CH55)	High(CH08)
Vce	3.78 V	3.78 V	3.79 V
Ic (mA)	12 mA	11.9 mA	11.9 mA

2) Description of the main circuit

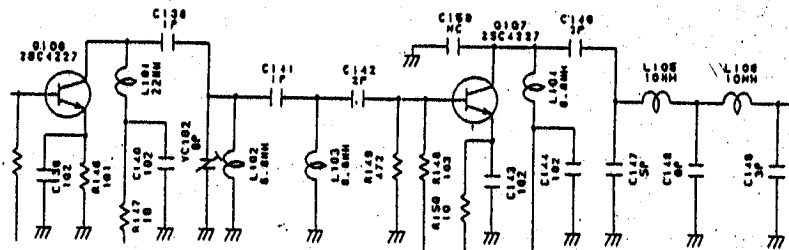
1) Frequency stabilization

This oscillation is the synthesized system and its frequency stabilization will depend on the crystal vibrator characteristic. The frequency allowance will be  $\pm 10\text{ppm}$  between  $-10\text{C}$  and  $+60\text{C}$ .



2) Spurious suppression

In order to suppress the spurious, the filter composed by L and C has been applied in this unit after the power amplification circuit. The circuit is posed below and it is the pi type double low pass filter.



### 3) Limiting modulation

- 1) We put a diode (limiter) at the AMP output of Compressor (IC101) to limit an amplitude.
- 2) In addition, we apply OP, Amp ( IC102 & 109 NJM2100M) at the AF area and its OP Amp's saturation characteristic will limit its modulation.

