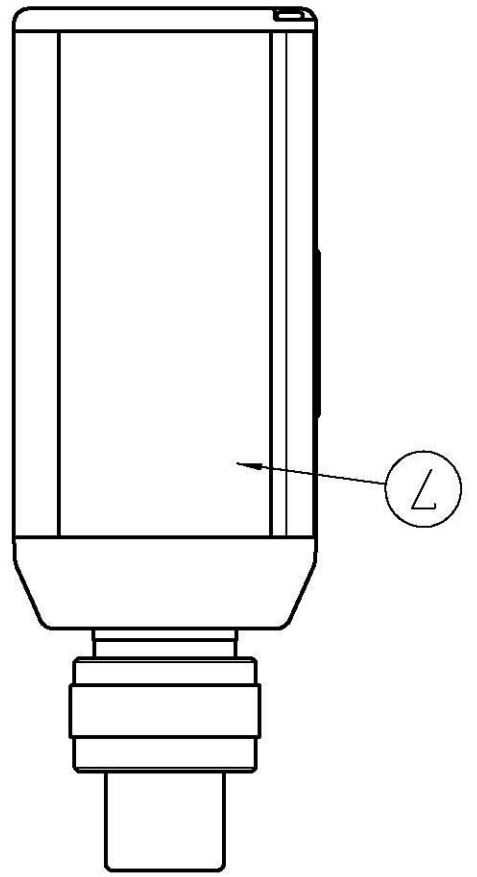
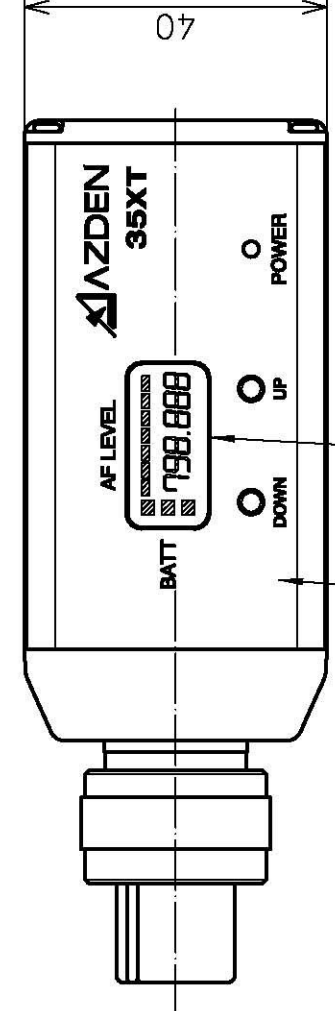
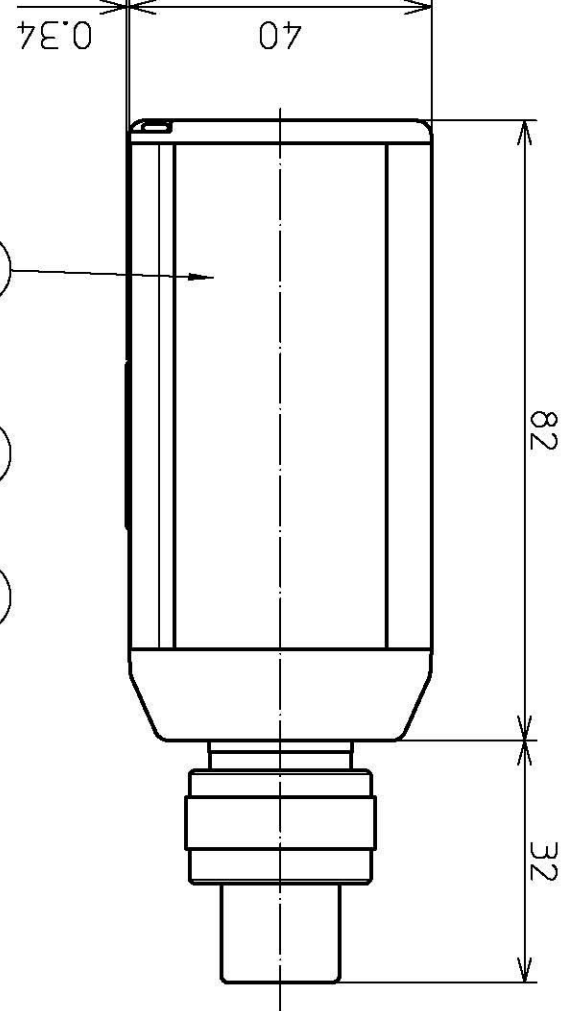
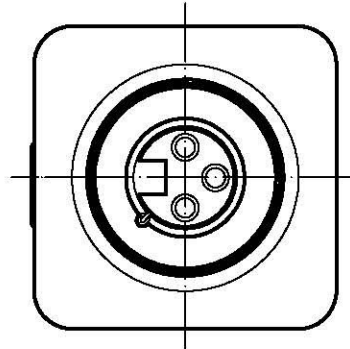
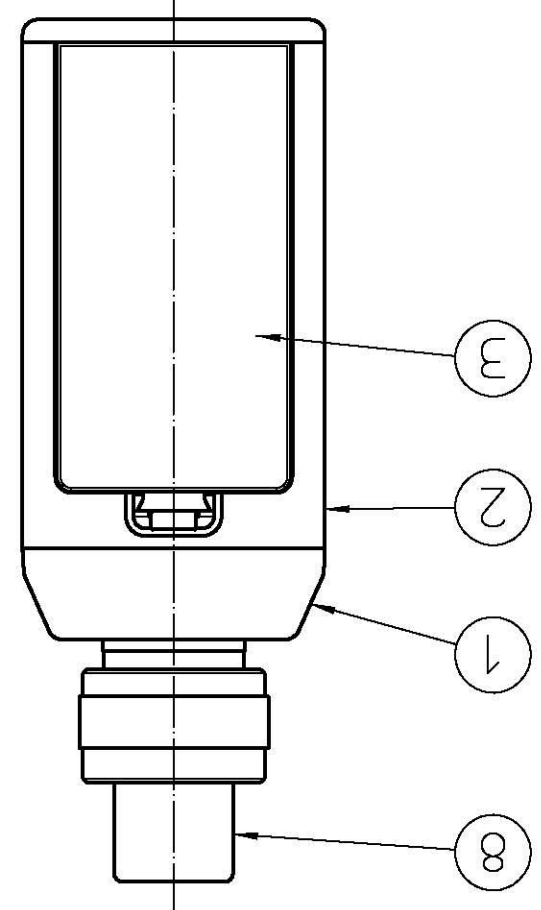
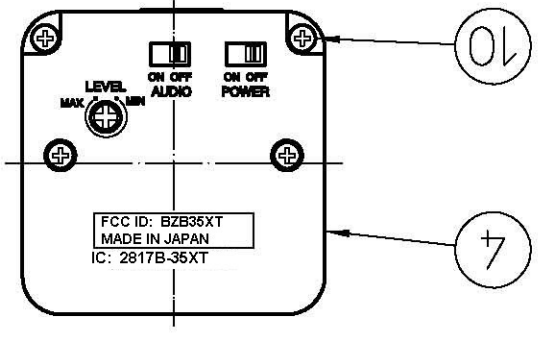


XXXXE-090

No.	DISCRPTION	PART NUMBER	QTY	MATERIAL	FINISH	REMARK
1	TOP MOLD	060-35079-01	1	ABS BLACK		
2	BATTERY CASE	060-25088-01	1	ABS BLACK		
3	BATTERY COVER	060-35080-01	1	ABS BLACK		
4	BOTTOM COVER	060-35081-01	1	ABS BLACK	SILK-P	
5	SIDE PANEL	060-49115-01	1	A6063S-T5	B-ALMITE SILK-P	
6	REAR NAME PLATE	060-49117-01	1	ALP 0.5T	B-ALMITE	
7	REAR NAME PLATE	060-49117-02	1	ALP 0.5T	B-ALMITE SILK-P	
8	XLR CONNECTOR	050-47517-01	1			NC3FX-SPEC
9	FRONT FILTER	060-48763-01	1			
10	M2X6 PAN SCREW	097-40079F05	4	SWR	MFNZ2-B	



080502	池戸	DRAWN	CHECKED	CHECKED	CHECKED	SCALE	ANGLE	3rd	UNIT	mm	USED ON	033-535	DRAWING NO	060-3XXXX	
												FINISH			
												MATERIAL	AZDEN CORPORATION		
												TITLE	外形図		
												REVISION RECORD		DATE	BY