

1. Voltage and current at RF part

T r Q 301 [ 2 S C 4 2 2 7 ]

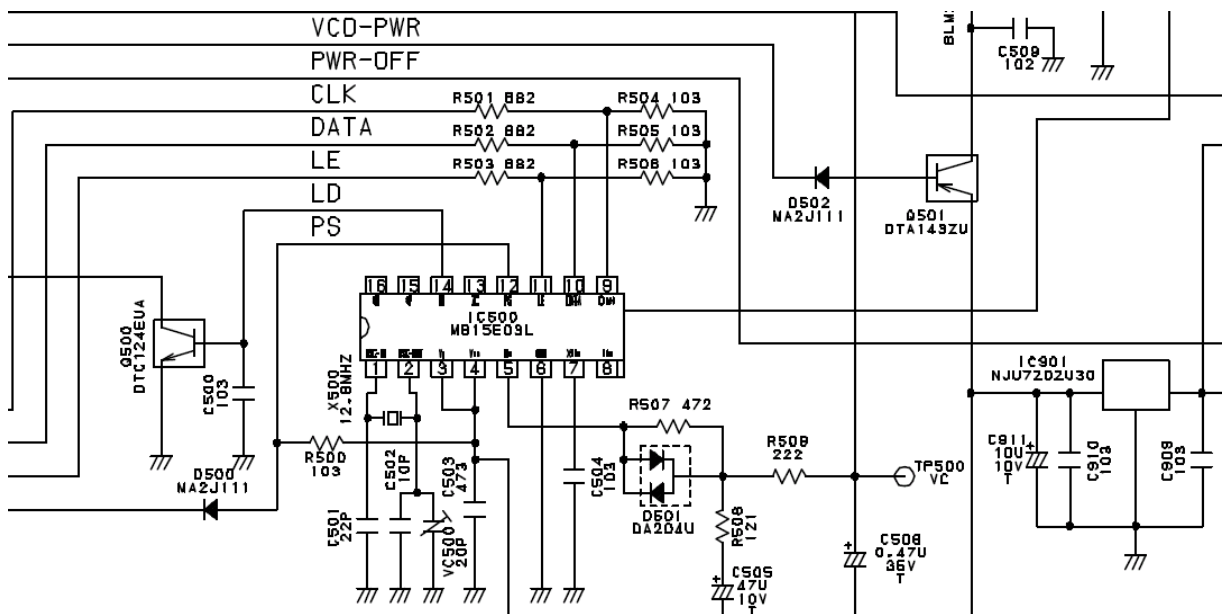
	Low (CH30-01 )	Mid(CH32-01 )	High(CH33-47 )
Vce	4 V	4 V	4 V
Ic (mA)	12 mA	12 mA	12 mA

2. Description of main feature of circuit

(1) Stabilization of frequency

Oscillating Method:PLL synthesized

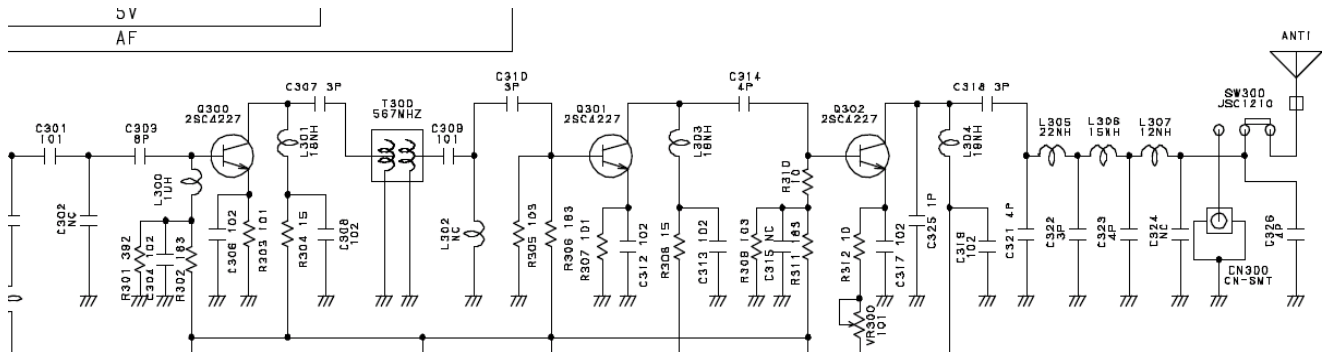
The stability of this oscillating method relies on the performance of crystal oscillator. We adopted in the 35BT Tokyo Denpa made crystal which has the frequency deviation  $\pm 10$ PPM or less under the environmental temperature  $-10^{\circ}\text{C} \sim +60^{\circ}\text{C}$ .



(2) Reducing Spurious radiation

In order for us to suppress the radiation, "LC" constructed dielectric filter is positioned behind the currency amplification part.

This  $\pi$  type, tri-level filter works as a low passed filter.



(3) Limiting Audio modulation

Modulation limiting circuit made of diode is positioned on the side of the output part of AF low passed filter circuit in order to restrict the audio modulation.

