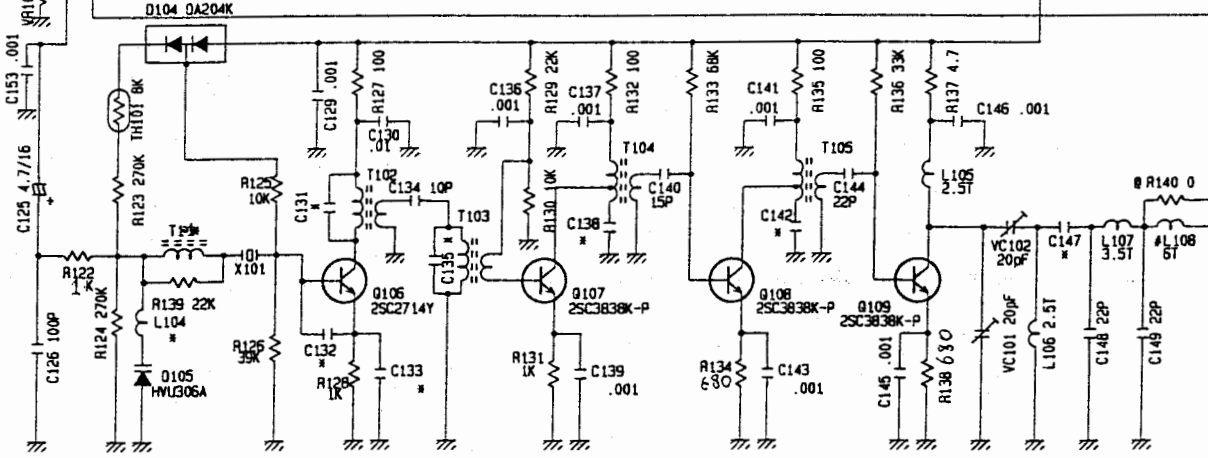
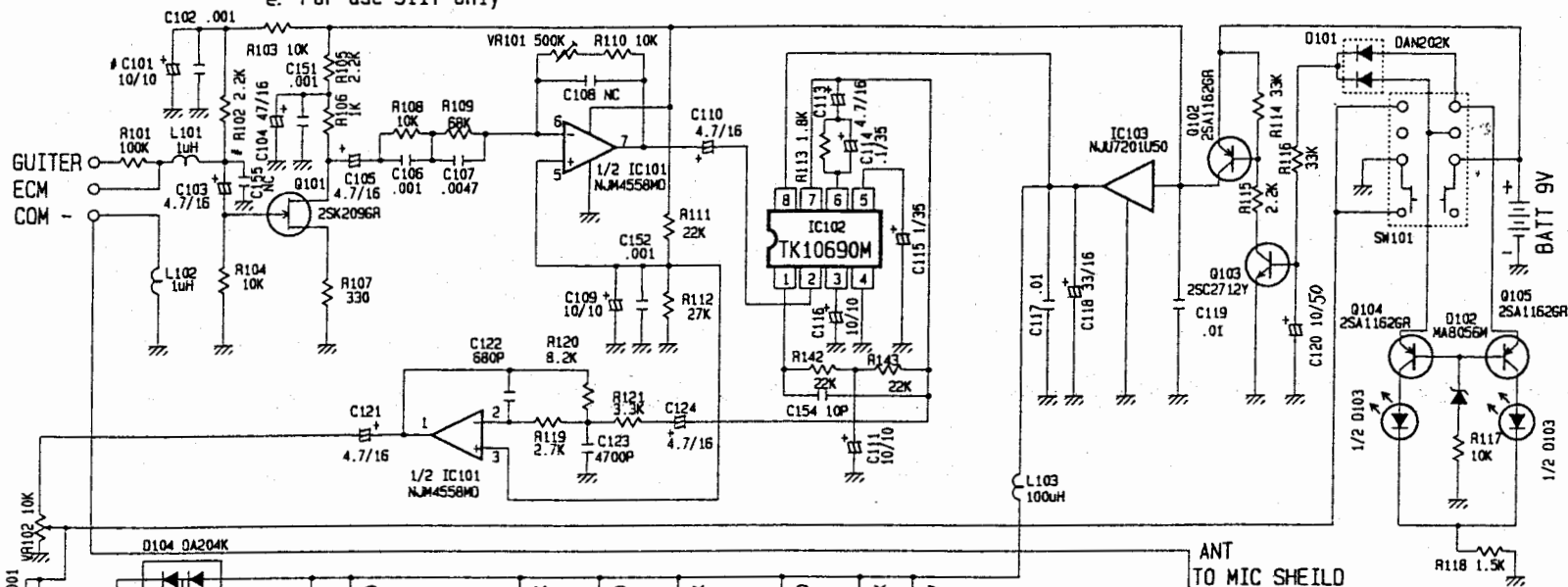


For use 31LT only
 @ For use 31IT only



ANT TO MIC SHIELD

	169-184MHz	184-200MHz	200-220MHz
C131	22P	15P	12P
C132	120P WJ	68P WJ	68P WJ
C133	220 WJ	120P WJ	120P WJ
C135	15P	12P	10P
C138	10P	8P	6P
C142	6P	5P	4P
C147	22P	18P	18P
L104	2.2uH	1uH	1uH
T101	44809_01	44809_01	44809_02

				SCALE		AZDEN CORPORATION	
				1/1		TITLE SCHEMATIC DIAGRAM	
SYMBOL				REVISION		DATE	
DRAWN				CHECKED		APPROVED	
MATERIAL				ANGLE		UNIT	
FINISH				USED ON		DRAWING NO.	
Q811,10				55-344-SK4,SK5,SK6		50-31976	
				03-502-SK4,SK5,SK6		② 981110	