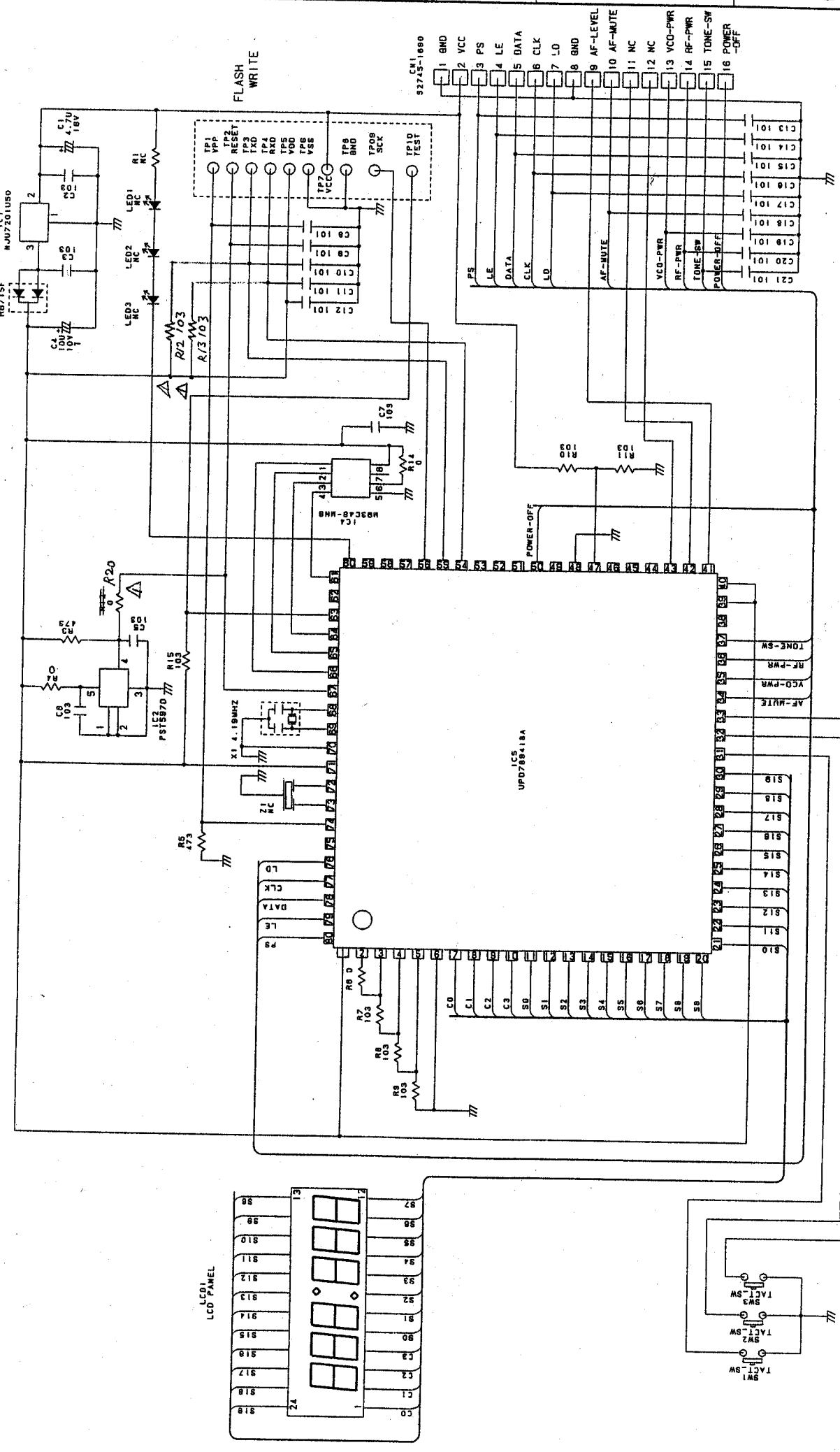


50-32274



SCALE	FREE	UNIT	
REVISION	03.7.29	DATE	
CHECKED	入山	CHECKED	
APPROVED		APPROVED	
MATERIAL		MATERIAL	
RECORD		RECORD	
BY		BY	
ANGLE		ANGLE	

AZDEN CORPORATION
アズデン株式会社

TITLE SCHEMATIC DIAGRAM

FIG. 1