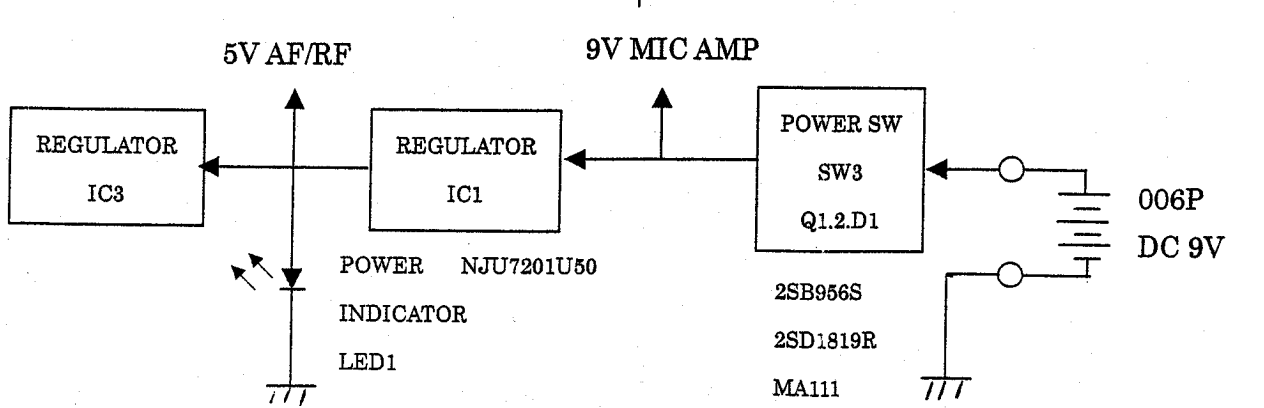
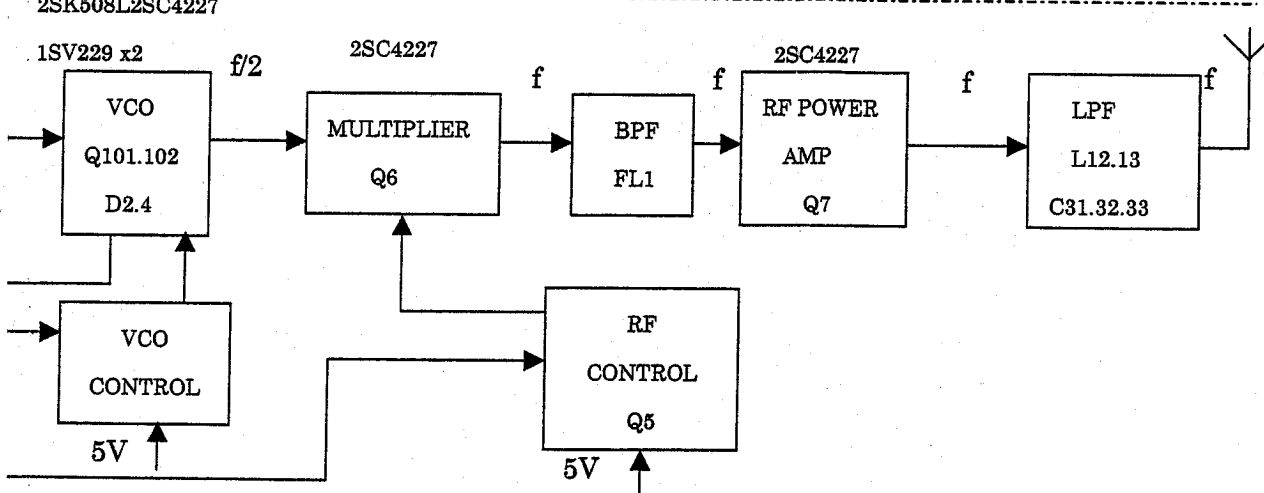
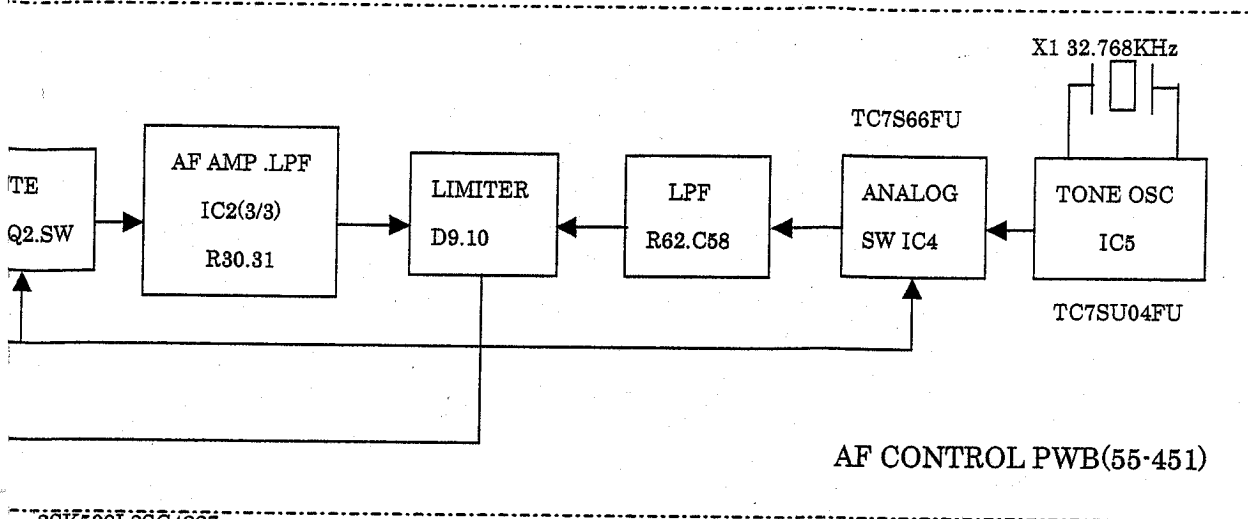


# GRAM



SYMBOL				REVISION RECORD		DATE	BY
MATERIAL				 AZDEN CORPORATION アズデン 株式会社			
FINISH							
TITLE				BLOCKDIAGRAM			
USED ON				DRAWING NO			
33-531				50-32664			

CHECKED	CHECKED	APPROVED	SCALE	ANGLE
OK				3rd
				UNIT
				mm