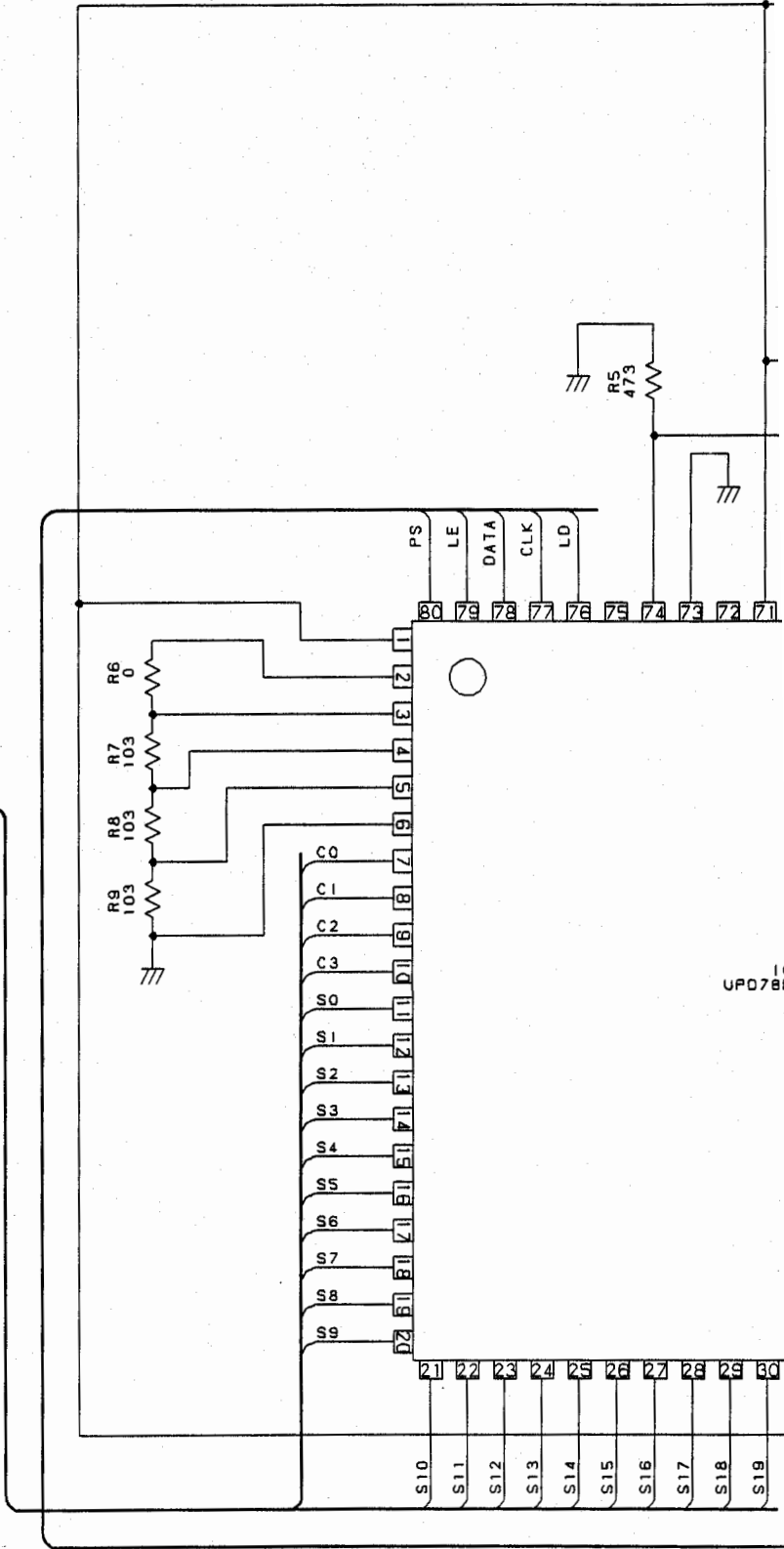
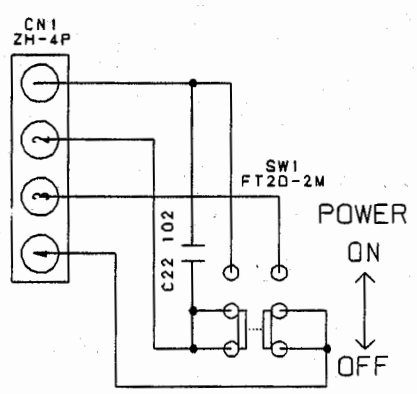
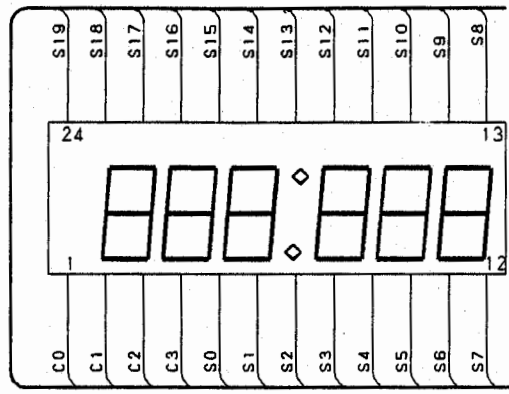


50-32699

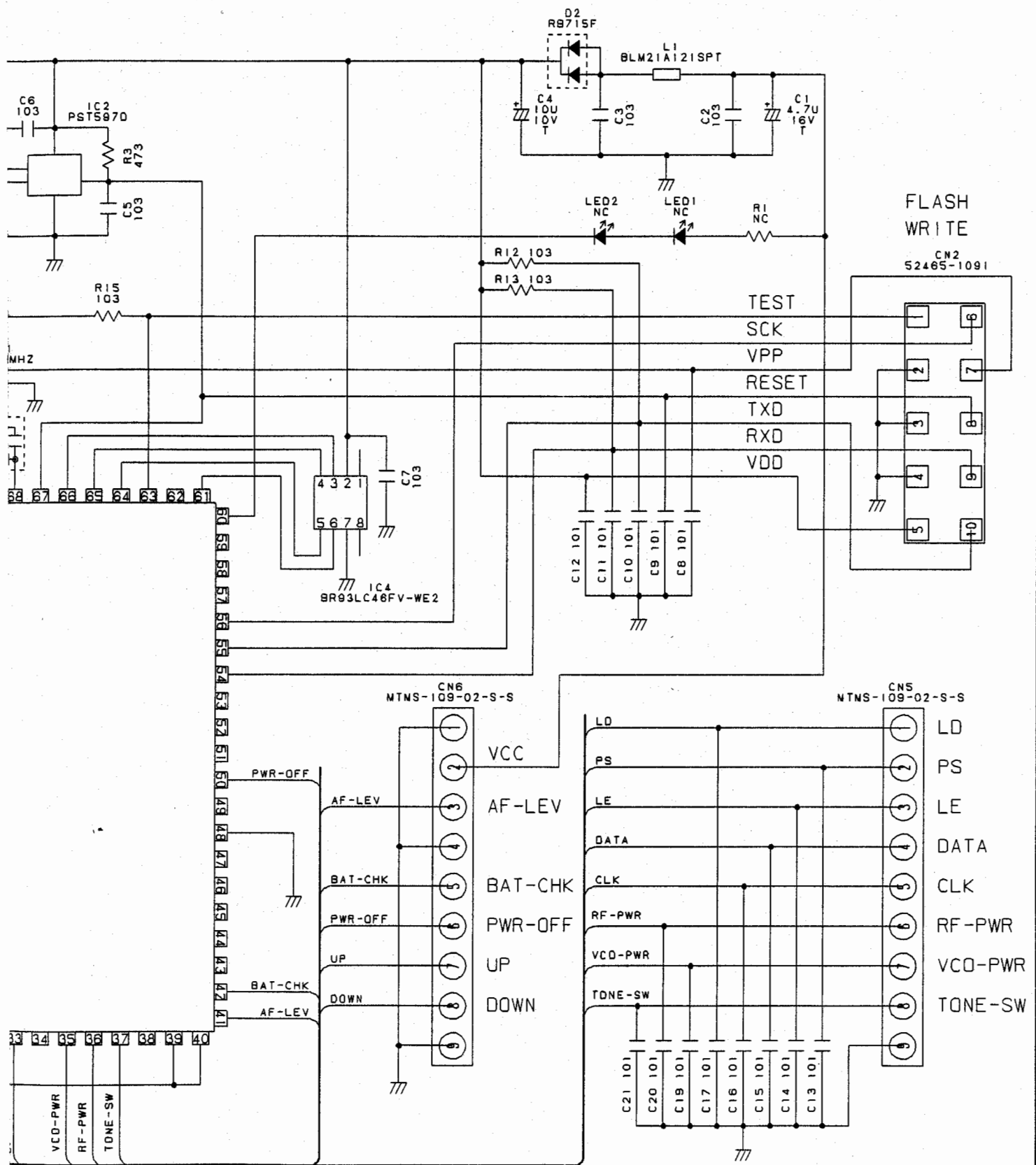
A  
B  
C  
D  
E  
F

1 2 3 4


LCD1  
LCD PANEL



1 2 3 4



SYMBOL	REVISION	RECORD	DATE	BY	SCALE
DRAWN	CHECKED	CHECKED	APPROVED	MATERIAL	ANGLE
07.07.10	大野	金城		FINISH	3RD
				USED ON	UNIT
					NW
					55-708
					33-532


**AZDEN CORPORATION**  
 アズデン 株式会社

TITLE SCHEMATIC DIAGRAM  
 回路

DRAWING NO 50-32699  
 ツ 070710