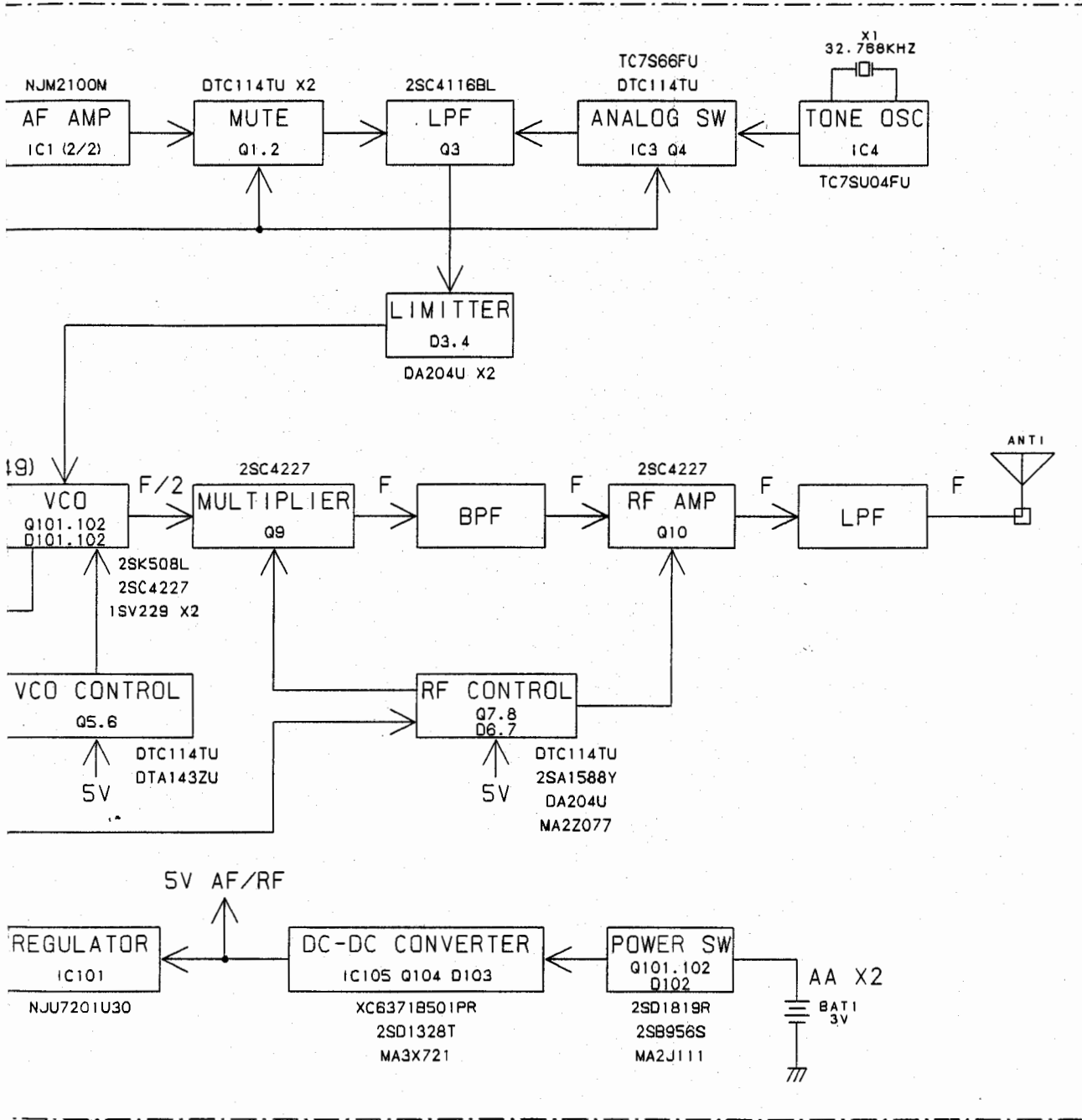



A  
B  
C  
D  
E  
F

1 2 3 4

1 2 3 4



					SCALE FREE	 <b>AZDEN CORPORATION</b> アズデン 株式会社
					TITLE	
SYMBOL		REVISION RECORD		DATE	BY	UNIT
DRAWN	CHECKED	CHECKED	APPROVED	MATERIAL	ANGLE	UNIT MM
大野				FINISH	USED ON	
07.07.31						DRAWING NO
30HT						